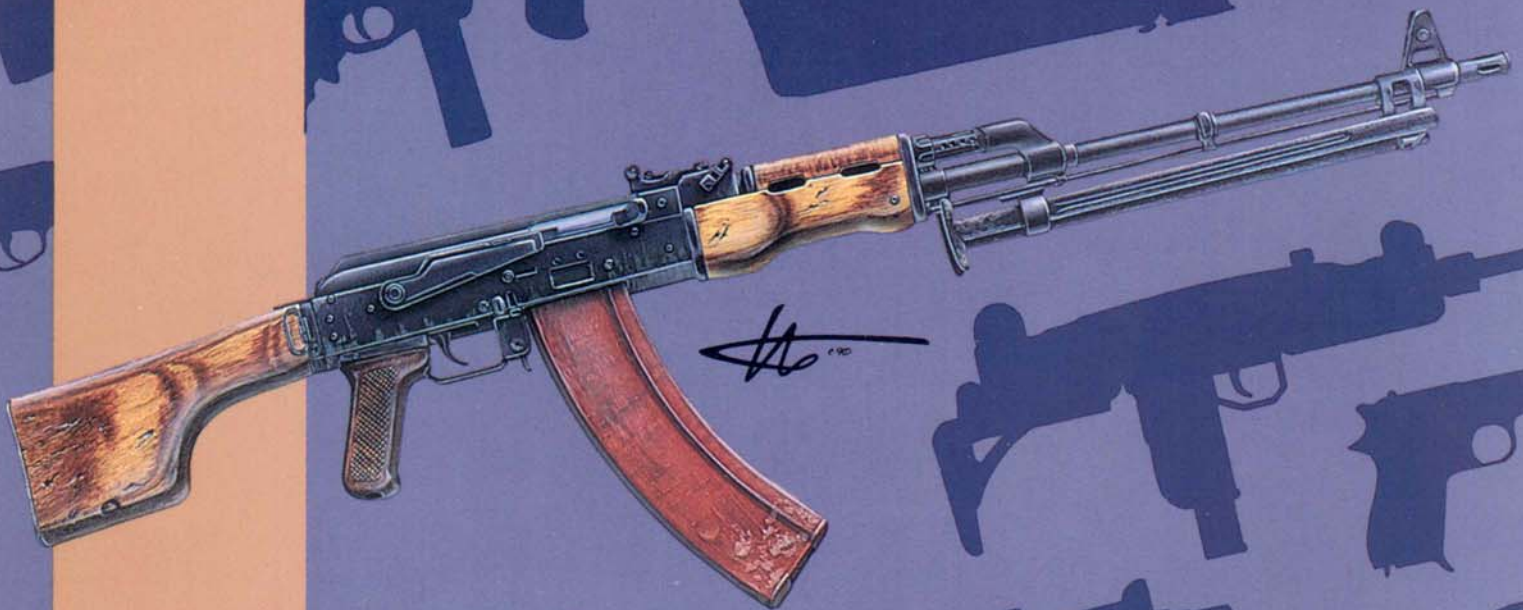




# Infantry WEAPONS of the World

Loren K. Wiseman



Infantry  
**WEAPONS**  
of the World

---

Loren K. Wiseman

SINCE 1973  
**GDW**  
GAMES

---

# CREDITS

*Design:* Loren K. Wiseman

*Additional Design:* Frank Chadwick

*Art Direction and Interior Art:* Kirk Wescom

*Graphic Design and Production:* Amy Doubet and Lamont Fullerton

*Cover Art:* Steve Venters

*Additional Interior Art:* Steve Bryant

*Text Manager:* Michelle Sturgeon

*Text Processing:* Julia Martin and Elizabeth Meier

## **Infantry Weapons of the World**

Copyright©1991 GDW, Inc.

Made in USA. Printed in USA. All rights reserved.

ISBN 1-55878-068-8.

**Twilight: 2000** is GDW's trademark for its roleplaying game of World War III.



---

P.O. Box 1646  
Bloomington, IL 61702-1646

# CONTENTS

<b>Introduction</b> .....	<b>4</b>	Arisaka Model 99, Barrett M82 "Light Fifty" .....	51
<b>Pistols</b> .....	<b>5</b>	BM-59, C3 .....	52
Automag .44, Beretta M34, Browning .25, Browning HP-35 ....	5	De Lisle Carbine, Enfield No. 4, Mk I .....	53
Colt Detectives Special, M1911A1, Positive/10, Positive/12.7 .....	6	FA-MAS, FG-42 .....	54
Colt Police Positive/15, Python/6.6, Python/10.2, Python/15.2 .....	7	FN-CAL, FN-FAL .....	55
Colt Python/20.3, COP .357, HS .22, HS Derringer .....	8	FN-FNC, FN-LAR/L1A1 .....	56
HK-4, HK P9S, M9 (Beretta M92S), M14 Nambu .....	9	FR-F1, G3 .....	57
M1933 Tokarev, Mamba, Mauser HSc, Mauser M1896 .....	10	G11, Galil ARM .....	58
P7 M13, P-08 Luger/10.2, P-08 Luger/15.2, P-08 Luger/19 .....	11	H&H .600 Nitro, H&K 33A2 .....	59
PA-15, P-64, PM Makarov, Remington XP-100 .....	12	KAR-98K, L42A1 .....	60
Ruger P-85, Ruger Blackhawk, S&W 29/16.5, S&W 29/21.3 .....	13	L85 IWS, M1 Carbine .....	61
S&W 29/10.2, S&W 19/6.6, S&W 19/10.2, S&W 19/15.3 .....	14	M1 Garand, M2 Carbine .....	62
S&W 27/9, S&W 27/13, S&W 27/15, S&W 27/21 .....	15	M14, M16A1/AR-15 .....	63
S&W 36, S&W 39, 439, 639, S&W 59, 459, 659, SIG P-210-2 .....	16	M16A2, M21 .....	64
Steyr GB80, Vz-52, Walther P-38, Walther PPK .....	17	M40, MAS-49/56 .....	65
Webley Mk 6, Webley Fosbury, Welrod .32, Wildey .45 WM ..	18	Mk I Boys ATR, MKS .....	66
<b>Submachineguns</b> .....	<b>19</b>	MP-44, Nagant M1891/30 .....	67
180 M-2, AKR .....	19	PSG1, PTRS-41 .....	68
AMD-65, Beretta M12 .....	20	PzB 39, Remington M700 .....	69
Beretta M38A, Beretta M93R .....	21	Ruger Mini-14/AC-556, SIG 510-4 .....	70
Bushmaster, M177 .....	22	SKS, Springfield 1873 .....	71
Colt 9mm SMG, Colt Scamp .....	23	Springfield 1903, Stoner M22 Rifle .....	72
F1A1, HM-3 .....	24	Stoner M23 Carbine, Steyr AUG .....	73
Ingram M10 9mm, Ingram M10 .45 .....	25	Steyr AUG Carbine, Steyr SSG-69 .....	74
Ingram M11, K-50 .....	26	SVD, Type 64 .....	75
L2A3 Sterling, L34A1 Sterling .....	27	Valmet M71, Vz-54 .....	76
M-45 Carl Gustav, M3A1 .....	28	Vz-58V, WA-2000 .....	77
M231, Madson M50 .....	29	Winchester M70 African, Winchester 1873 .....	78
MAT-49, Mauser M32 .....	30	Winchester 1894, BAR M1918A2 .....	79
Mini-Uzi, MP-5A2 .....	31	AAT-52, Bren L2A4 .....	80
MP-5K, MP-5SD3 .....	32	RPK, RPK-74 .....	81
MP18-1, MP-40 .....	33	M249 SAW .....	82
MPi-69, OSS M3 .....	34	<b>Machineguns</b> .....	<b>82</b>
Owen Mk I, PM-9 .....	35	Colt M1895/1914 .....	82
PM-63, PPSH-41 .....	36	DP, DShK .....	83
PPSh-43, Rexim F.V. Mk 4 .....	37	FMM 24/29, HK-21 .....	84
S&W M76, Sidewinder SS-1 .....	38	KPV, L86A1 LSW .....	85
Stechkin, Sten Mk II .....	39	Lewis Mk I, M214 6-Pac .....	86
Sten Mk IIS, Thompson M1 .....	40	M2HB, M60 .....	87
Thompson M1928, Type 64 .....	41	M134 Minigun, Browning M1919A4 .....	88
Uzi, VP-70 .....	42	MAG, MG-3 .....	89
Vz-24, Vz 61/62 Skorpion .....	43	MG-08, MG-34 .....	90
<b>Rifles</b> .....	<b>44</b>	MG-42, PK .....	91
.50 Hawken, .69-Caliber Musket .....	44	PKM, RPD .....	92
.460 Weatherby, AK-47 .....	45	Bren Mk II, Browning M1917A1 .....	93
AKM, AKMS .....	46	SG-43, Stoner LMG .....	94
AKMR, AK-74 .....	47	Stoner M207/Mk 23 Commando, Steyr AUG LMG .....	95
Armington Laser Carbine-2, AR-7 Explorer .....	48	Vickers Mk I, Vz-59 .....	96
AR-10, AR-18 .....	49	<b>Shotguns</b> .....	<b>97</b>
AR-70, AR-180 .....	50	AA-12, Browning Autoriot .....	97
		H&K CAW, High Standard M10B .....	98
		Ithaca Autoburglar, M500 ATP8S .....	99
		M1917 Trench Gun, Remington 870P .....	100
		Savage 311-R, SPAS-15 .....	101
		<b>Price List</b> .....	<b>102</b>
		Small Arms and Machinegun Ammunition .....	102
		Pistols, Submachineguns .....	103
		Rifles, Machineguns, Shotguns .....	104

# INFANTRY WEAPONS

With the second edition of **Twilight: 2000**, the combat system and small arms were radically changed. Unfortunately, this necessitated scrapping the old weapons statistics. When the revision was issued, we decided not to try to include all the new ratings in the basic rules, but to include a wide enough selection of weapons to allow referees to recreate important armies. We also decided to publish new ratings for small arms as soon as possible. This booklet is the result.

The appearance of **Merc: 2000** and the imminent publication of **Dark Conspiracy** and **Cadillacs & Dinosaurs** means that players of these games (all of them based on the same basic system and thus using compatible weapons) will need a variety of weapons not necessary in the **Twilight: 2000** situation. **Infantry Weapons of the World** addresses the needs of all of these games, in addition to serving as a basic resource for world small arms.

**Corrections:** In rating the weapons for this book, Frank and I took the opportunity to introduce a number of minor corrections, remove a few inconsistencies, and fine tune things a bit. These ratings are considered authoritative over the ratings in the basic game. One of the main differences was to increase damages for many pistol rounds, adjust some ranges for more realism, and introduce a little more distinction between some calibers (primarily between the .357 Magnum and .44 Magnum).

**Folding Stocks:** Weapons with folding stocks have two bulk ratings. The rating on the left is with the stock folded, the rating on the right is with it extended. *Aimed fire is possible only with the stock extended.* Folding or extending a stock counts as an action.

**Quick Kill (New Rule):** Any *aimed shot* which hits the chest or head may constitute a killing shot. Roll a D10. If the roll is less than or equal to the damage value of the shot, the target is instantly killed except on a roll of 10 exactly. If the hit was scored on an area protected by armor, roll versus the remaining damage value of the round. For automatic fire, roll only once per phase (regardless of the number of shots that hit). This rule should be applied only to NPCs. It is recommended that PCs who suffer a killing wound instead suffer enough damage to increase the wound level of the head or chest to at least serious if unwounded (and critical if already serious), and in addition take the normal damage inflicted by the round.

## RATING FORMULAS

No matter how large we made this book, we would have to leave out some weapon or cartridge that someone, somewhere, considers vitally important. Rating firearms for **Twilight: 2000** and related systems is a combination of calculation and referee fudging. We have, as a convenience to our referees and players, included some notes on the system of calculation we used.

You will need a reference work which gives muzzle velocity, bullet weight (that's the weight of the bullet only, not the weight of the cartridge) and the weapon's weight. You will also need to know a couple of things about the weapon itself, such as the presence of folding stocks, magazine capacity, and so on.

**Rate of Fire (ROF):** Rate of fire is based on the cyclical ROF of the weapon. The various types of action are described. Simply pick the one that comes closest (bolt action, semiautomatic, double-action revolver, single shot, etc.). If a fully automatic weapon has a burst limiter, use that number as the ROF. Otherwise, slow-firing automatic weapons (those with a cyclical ROF of less than 700) have a rate of fire of 5; fast automatic weapons (those with a cyclical ROF of between 701 and 1000) have a rate of fire of 10. Extremely high rates of fire get even higher ratings (1001 to 5000 gets 50, over 5000 gets 100).

**Damage (Dam):** To calculate damage, you need to know the weapon's muzzle energy. Muzzle energy is determined by the following:

$$E = MV^2$$

$E$  is muzzle energy;  $M$  is the mass of the bullet in grams; and  $V$  is the muzzle velocity in thousands of feet per second (yes, I know we are mixing units of measure here, but it works). Once you have muzzle energy, you plug that into the damage formula:

$$D = (\sqrt{E} + 2) \times .66$$

$D$  is the damage (Dam) value, and  $E$  is the muzzle energy determined above.

**Penetration (Pen):** There is no easy formula for penetration, so it's a judgment call. Compare the caliber of the round with one or more that have already been rated and extrapolate from those numbers.

**Bulk (Bik):** Bulk represents the handiness of the weapon and the speed with which it can be brought into action. Bulk is related to the length of the weapon, with a slight fudge factor. Weapons less than 15 cm are bulk 0; 16-30 cm are bulk 1;

31-45 cm are bulk 2; 46-75 cm are bulk 3; 76-90 cm are bulk 4; and 91 cm and up are bulk 5.

**Magazine Capacity (Mag):** For consistency, pick the most common magazine where there are several. We do not include the round in the chamber. The types of magazines are defined in the basic rules; simply find the description that fits (or comes closest).

**Recoil (SS and Brst):** The recoil value of a single shot is determined by the following formula:

$$R = \sqrt{E} + W$$

$R$  is the recoil of a single shot;  $E$  is muzzle energy; and  $W$  is the weight of the loaded weapon in kilograms. In addition, weapons with particularly high muzzle energies have the following modifiers added to their recoil value:

$\sqrt{E}$	Modifier
10	+1
15	+2
20	+3
25	+4

After making this addition, double all single-shot recoils (except for pistols). For burst fire, plug the individual recoil value into a second formula:

$$B = (RN) + 2$$

$B$  is the recoil of a burst;  $R$  is the recoil value of a single shot; and  $N$  is the number of bullets in the burst.

Other factors change recoil. A bipod halves the recoil of a weapon. A tripod halves the recoil of the weapon, and the weight of the tripod is added to the weight of the weapon when calculating recoil values. Pistols (only) have their recoil halved when a stock is attached (and extended, if it is a folding stock).

**Range (Rng):** There is no simple formula for range. For consistency, compare the range of the weapon to be rated (in meters) to a few similar weapons we have rated and extrapolate from those numbers. Remember to consider the difference between effective and maximum ranges (effective range is the range within which 50% or more of the rounds will strike a man-sized target, while maximum range is as far as the bullet will carry when the weapon is at full elevation). We use effective range as long range for our purposes and recalculate the table value from there (halved for medium, halved again for close, which is the value given on the table).



## .44 Automag

**.44 Automag (Semiautomatic):** Clint Eastwood takes a break from his .44 Magnum to use the .44 Automag in one of his Dirty Harry films, making this rare firearm better known than most large-bore pistols.

*Ammo:* .44 Automagnum  
*Wt:* 1.8 kg  
*Mag:* 7 box  
*Price:* \$4000 (R/—)

Weapon	ROF	Dam	Pen	Blk	Mag	—Recoil—		
						SS	Brst	Rng
.44 Automag	SA	3	1-Nil	1	7	4	—	20

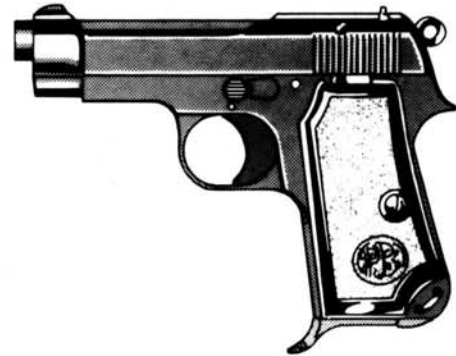


## Beretta M34

**Beretta M34 (Semiautomatic):** The M34 was the standard sidearm of the Italian Army in WWII and was manufactured by the renowned weapons-making family of Beretta (in business since the 16th century). The M34 is compact and highly sought after.

*Ammo:* .380 ACP  
*Wt:* 0.8 kg  
*Mag:* 7 box  
*Price:* \$400 (R/R)

Weapon	ROF	Dam	Pen	Blk	Mag	—Recoil—		
						SS	Brst	Rng
M34	SA	1	Nil	1	7	3	—	10



## Browning .25

**Browning .25 (Semiautomatic):** This is a small, readily concealable automatic, and that is about all that can be said for it.

*Ammo:* .25 ACP  
*Wt:* 0.4 kg  
*Mag:* 10 box  
*Price:* \$100 (C/R)

Weapon	ROF	Dam	Pen	Blk	Mag	—Recoil—		
						SS	Brst	Rng
.25	SA	1	Nil	0	10	4	—	4



## Browning HP-35

**Browning HP-35 (Semiautomatic):** The standard military sidearm of the British (and several other armies). It is considered by many to be the finest 9mm semiautomatic pistol made.

*Ammo:* 9mm P  
*Wt:* 1.1 kg  
*Mag:* 13 box  
*Price:* \$150 (S/R)

Weapon	ROF	Dam	Pen	Blk	Mag	—Recoil—		
						SS	Brst	Rng
HP-35	SA	1	Nil	1	13	2	—	12





## Colt Detectives Special

**Colt Detectives Special (Revolver):** Developed during the 1930s, the Detectives Special is simply the snub-nosed version of the Colt Police Positive/10 revolver.

*Ammo:* .38 Special

*Wt:* 0.7 kg

*Mag:* 6 revolver

*Price:* \$375 (C/R)

Weapon	ROF	Dam	Pen	Blk	Mag	—Recoil—		
						SS	Brst	Rng
Det. Special	DAR	1	Nil	1	6R	4	—	4



## Colt M1911A1

**Colt M1911A1 (Semiautomatic):** The standard military sidearm of the United States until the late 1980s, the M1911A1 has been supplanted as general issue by the 9mm M9. However, M9 procurement has never been sufficient to completely replace the M1911A1 in military use, and thus it is still encountered, especially in national guard units.

A number of civilian versions of the M1911A1 are made, including conversions to other calibers. The conversion to 10mm is among the most popular.

*Ammo:* .45 ACP

*Wt:* 1.4 kg

*Mag:* 7 box (6 box for 10mm variant)

*Price:* \$100 (C/S)

Weapon	ROF	Dam	Pen	Blk	Mag	—Recoil—		
						SS	Brst	Rng
M1911A1	SA	2	Nil	1	7	3	—	12
10mm	SA	2	1-Nil	1	6	3	—	15



## Colt Police Positive/10

**Colt Police Positive/10 (Revolver):** Developed during the 1930s, the Police Positive revolver is one of the most common police weapons in the world.

*Ammo:* .38 Special

*Wt:* 0.8 kg

*Mag:* 6 revolver

*Price:* \$450 (C/R)

Weapon	ROF	Dam	Pen	Blk	Mag	—Recoil—		
						SS	Brst	Rng
Pos/10	DAR	1	Nil	1	6R	3	—	10



## Colt Police Positive/12.7

**Colt Police Positive/12.7 (Revolver):** A longer-barreled version of the Police Positive.

*Ammo:* .38 Special

*Wt:* 0.9 kg

*Mag:* 6 revolver

*Price:* \$450 (C/R)

Weapon	ROF	Dam	Pen	Blk	Mag	—Recoil—		
						SS	Brst	Rng
Pos/12.7	DAR	1	Nil	1	6R	3	—	12



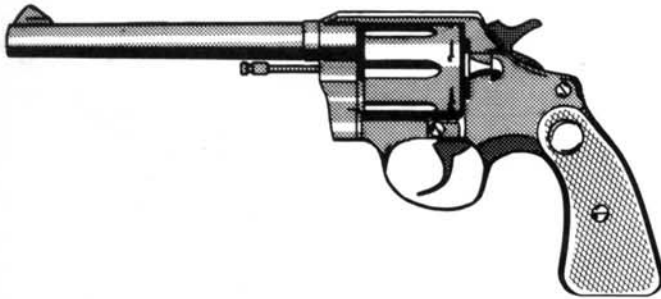


## Colt Police Positive/15

**Colt Police Positive/15 (Revolver):** A still longer-barreled version of the Police Positive.

*Ammo:* .38 Special  
*Wt:* 1.1 kg  
*Mag:* 6 revolver  
*Price:* \$475 (C/R)

Weapon	ROF	Dam	Pen	Blk	Mag	—Recoil—		
						SS	Brst	Rng
Pos/15	DAR	1	Nil	1	6R	2	—	12



## Colt Python/6.6

**Colt Python/6.6 (Revolver):** A top-quality, high-powered revolver from one of the world's premier arms makers.

*Ammo:* .357 Magnum  
*Wt:* 1.1 kg  
*Mag:* 6 revolver  
*Price:* \$650 (S/R)

Weapon	ROF	Dam	Pen	Blk	Mag	—Recoil—		
						SS	Brst	Rng
Python/6.6	DAR	2	Nil	1	6R	3	—	4



## Colt Python/10.2

**Colt Python/10.2 (Revolver):** A longer-barreled version of the basic Python.

*Ammo:* .357 Magnum  
*Wt:* 1.2 kg  
*Mag:* 6 revolver  
*Price:* \$650 (S/R)

Weapon	ROF	Dam	Pen	Blk	Mag	—Recoil—		
						SS	Brst	Rng
Python/10.2	DAR	2	1-Nil	1	6R	3	—	12



## Colt Python/15.2

**Colt Python/15.2 (Revolver):** A still longer-barreled version of the basic Python.

*Ammo:* .357 Magnum  
*Wt:* 1.4 kg  
*Mag:* 6 revolver  
*Price:* \$700 (S/R)

Weapon	ROF	Dam	Pen	Blk	Mag	—Recoil—		
						SS	Brst	Rng
Python/15.2	DAR	2	1-Nil	1	6R	3	—	16







## Colt Python/20.3

**Colt Python/20.3 (Revolver):** A still longer-barreled version of the basic Python.

*Ammo:* .357 Magnum  
*Wt:* 1.6 kg  
*Mag:* 6 revolver  
*Price:* \$725 (S/R)

—Recoil—

Weapon	ROF	Dam	Pen	Blk	Mag	SS	Brst	Rng
Python/20.3	DAR	2	1-Nil	2	6R	3	—	18



## COP .357

**COP .357 (Semiautomatic):** This four-barreled "pepperbox" firearm was intended as a backup weapon for police officers who were forced to give up their main sidearm. The barrels must be fired in sequence; they cannot be fired simultaneously.

*Ammo:* .357 Magnum  
*Wt:* 0.9 kg  
*Mag:* 4 individual  
*Price:* \$250 (S/—)

—Recoil—

Weapon	ROF	Dam	Pen	Blk	Mag	SS	Brst	Rng
COP .357	SA	2	1-Nil	0	4i	5	—	4



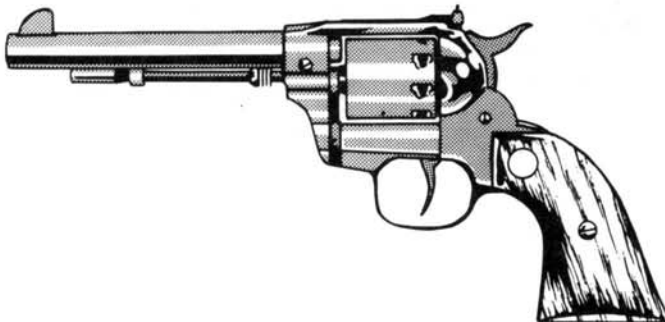
## High Standard .22

**High Standard .22 (Semiautomatic):** This is a very reliable, lightweight, easily handled semiautomatic pistol in a small caliber.

*Ammo:* .22 long rifle  
*Wt:* 1.3 kg  
*Mag:* 6 box  
*Price:* \$250 (C/R)

—Recoil—

Weapon	ROF	Dam	Pen	Blk	Mag	SS	Brst	Rng
HS .22	SA	-1	Nil	0	6	2	—	10



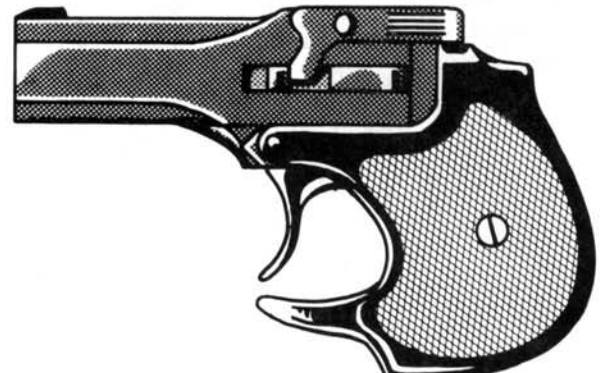
## High Standard Derringer

**High Standard Derringer (Semiautomatic):** The High Standard double-barreled Derringer is intended to serve as a readily concealable defensive weapon. The barrels must be fired in sequence; they cannot be fired simultaneously.

*Ammo:* .22 Magnum  
*Wt:* 0.3 kg  
*Mag:* 2 individual  
*Price:* \$75 (S/R)

—Recoil—

Weapon	ROF	Dam	Pen	Blk	Mag	SS	Brst	Rng
HS Der.	SA	1	Nil	0	2i	8	—	4





## HK-4

**HK-4 (Semiautomatic):** The HK-4 is a small, German-made semiautomatic pistol with four interchangeable barrel/magazine sets. In two minutes, one barrel can be removed and another substituted. When the appropriate magazine is inserted, the weapon is ready to fire.

*Ammo:* .22 long rifle, .25 ACP, .32 ACP or .380 ACP

*Wt:* 0.3 kg

*Mag:* 8/7/7/7 box

*Price:* \$180 (S/R)

Weapon	ROF	Dam	Pen	Blk	Mag	—Recoil—		
						SS	Brst	Rng
HK-4/.22 LR	SA	-1	Nil	1	8	1	—	8
HK-4/.25 ACP	SA	1	Nil	1	7	3	—	8
HK-4/.32 ACP	SA	1	Nil	1	7	4	—	10
HK-4/.380 ACP	SA	1	Nil	1	7	5	—	12



## HK P9S

**HK P9S (Semiautomatic):** The P9S is made by the German arms firm of Heckler and Koch, and incorporates the same roller-locking feature as the G3 assault rifle.

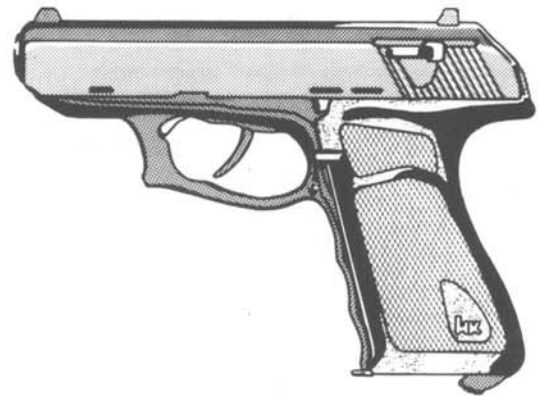
*Ammo:* 9mm P

*Wt:* 1.1 kg

*Mag:* 9 box

*Price:* \$700 (C/S)

Weapon	ROF	Dam	Pen	Blk	Mag	—Recoil—		
						SS	Brst	Rng
HK P9S	SA	1	Nil	0	9	3	—	12



## M9 (Beretta M92S)

**M9 (Beretta M92S) (Semiautomatic):** The standard side-arm for US military forces. It is essentially identical to the M92S (the civilian version).

*Ammo:* 9mm P

*Wt:* 1 kg

*Mag:* 15 box

*Price:* \$150 (V/S)

Weapon	ROF	Dam	Pen	Blk	Mag	—Recoil—		
						SS	Brst	Rng
M9 (M92S)	SA	1	Nil	1	15	3	—	12



## M14 Nambu

**M14 Nambu (Semiautomatic):** The most commonly issued Japanese military pistol in WWII, the Nambu is found throughout Asia, but is not common anywhere else (although many were brought home by American servicemen after WWII). The ammunition is unique, although a small quantity is still manufactured in the US for firearms enthusiasts.

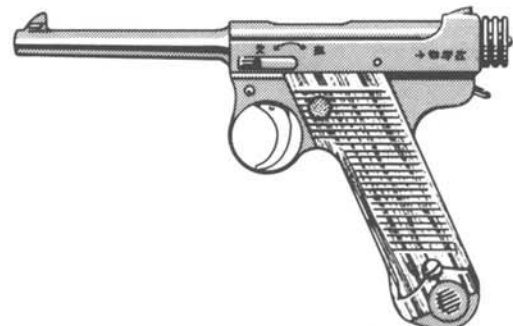
*Ammo:* 8mm N

*Wt:* 1 kg

*Mag:* 8 box

*Price:* \$550 (S/S)

Weapon	ROF	Dam	Pen	Blk	Mag	—Recoil—		
						SS	Brst	Rng
M14 Nambu	SA	1	Nil	1	8	3	—	10





## M1933 Tokarev

**M1933 Tokarev (Semiautomatic):** Formerly in widespread use by Eastern European military and police, the M1933 Tokarev has now been widely supplanted by the Makarov. Due to the large numbers produced, it is still found in use by some police and is widely used by militias. It is notable for its lack of a safety catch.

*Ammo:* 7.62mm T

*Wt:* 0.5 kg

*Mag:* 8 box

*Price:* \$100 (R/C)

—Recoil—									
Weapon	ROF	Dam	Pen	Blk	Mag	SS	Brst	Rng	
M1933	SA	1	Nil	1	8	4	—	12	



## Mamba

**Mamba (Semiautomatic):** The Mamba is manufactured for domestic use and for export by the Republic of South Africa.

*Ammo:* 9mm P

*Wt:* 1.3 kg

*Mag:* 15 box

*Price:* \$450 (S/S)

—Recoil—									
Weapon	ROF	Dam	Pen	Blk	Mag	SS	Brst	Rng	
Mamba	SA	1	Nil	1	15	3	—	12	



## Mauser HSc

**Mauser HSc (Semiautomatic):** Developed before the war as a civilian weapon, the HSc was the formal sidearm of the German Navy and Air Force during WWII.

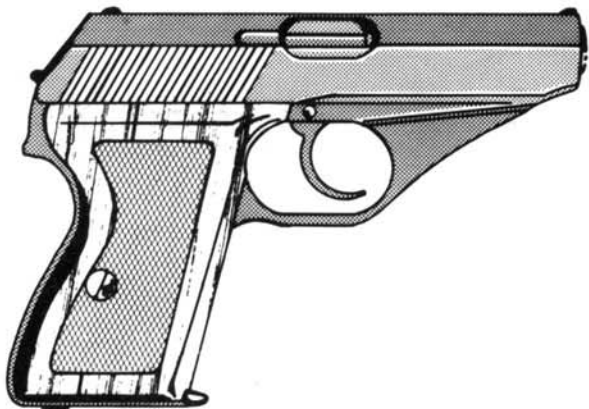
*Ammo:* 9mm P

*Wt:* 0.7 kg

*Mag:* 8 box

*Price:* \$350 (S/S)

—Recoil—									
Weapon	ROF	Dam	Pen	Blk	Mag	SS	Brst	Rng	
HSc	SA	1	Nil	1	8	3	—	10	



## Mauser M1896

**Mauser M1896 (Semiautomatic):** Known as the "Broom-handle" Mauser, the M1896 was the first successful semiautomatic pistol design. By the late 1980s, it had become a collector's item in the US and Europe, but was still in service with some police agencies throughout the rest of the world. The weapon has an integral internal magazine loaded from 10-round disposable stripper clips. The stock is hollow and can serve as a holster.

*Ammo:* 7.62mm T

*Wt:* 1.2 kg (Stock Wt: 0.5 kg)

*Mag:* 10 box (really uses a stripper clip to reload)

*Price:* \$1000 (R/R)

—Recoil—									
Weapon	ROF	Dam	Pen	Blk	Mag	SS	Brst	Rng	
M1896	SA	1	Nil	1	10	3	—	12	
stock	SA	1	Nil	1	10	2	—	20	





## P7 M13

**P7 M13 (Semiautomatic):** The standard sidearm of German forces.

*Ammo:* 9mm P  
*Wt:* 1 kg  
*Mag:* 13 box  
*Price:* \$150 (V/S)

—Recoil—

Weapon	ROF	Dam	Pen	Blk	Mag	SS	Brst	Rng
P7 M13	SA	1	Nil	1	13	3	—	12



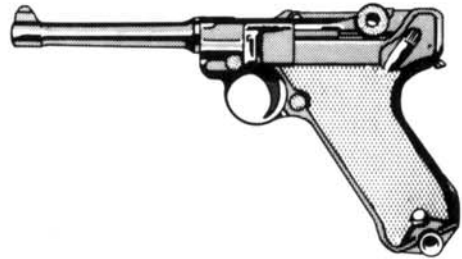
## P-08 Luger/10.2

**P-08 Luger/10.2 (Semiautomatic):** The P-08 (*Pistole 1908*) Luger was one of the earliest self-loading pistol designs. Because it was adopted by the German Army in WWI and used through WWII, the Luger made numerous appearances in spy and war movies and is one of the most well-known pistols in the world. Thousands were made during the wars, and "look-alike" reproductions of the pistol were still being made in the 1990s.

*Ammo:* 9mm P  
*Wt:* 1.1 kg  
*Mag:* 8 box  
*Price:* \$800 (C/S)

—Recoil—

Weapon	ROF	Dam	Pen	Blk	Mag	SS	Brst	Rng
Luger/10.2	SA	1	Nil	1	8	3	—	12



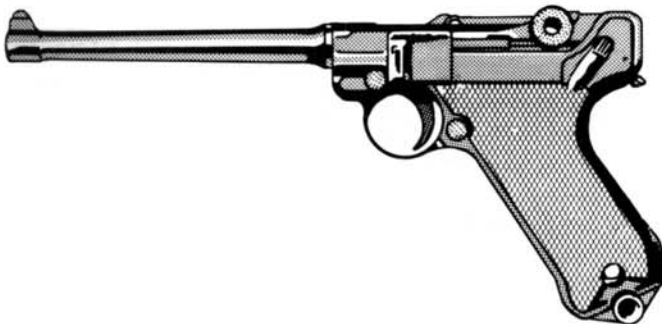
## P-08 Luger/15.2

**P-08 Luger/15.2 (Semiautomatic):** A longer-barreled version of the basic Luger. The complexity and tightly fitted action make the Luger very sensitive to dirt and corrosion, a disadvantage in a military pistol.

*Ammo:* 9mm P  
*Wt:* 1.2 kg  
*Mag:* 8 box  
*Price:* \$850 (S/R)

—Recoil—

Weapon	ROF	Dam	Pen	Blk	Mag	SS	Brst	Rng
Luger/15.2	SA	1	Nil	1	8	2	—	12



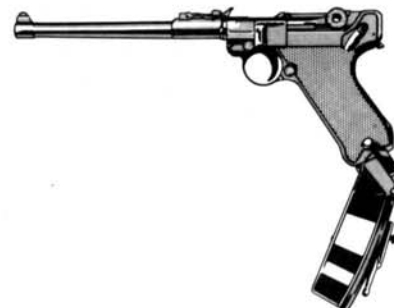
## P-08 Luger/19

**P-08 Luger/19 (Semiautomatic):** This model of the Luger is often called the "artillery Luger" because it was issued to German artillerymen during WWI and WWII. It came with a shoulder stock and a 32-round snail-drum magazine (which can be used with other models, but is quite clumsy in them).

*Ammo:* 9mm P  
*Wt:* 1.3 kg (*Stock Wt:* 0.4 kg)  
*Mag:* 8 box, 32 round drum  
*Price:* \$925 (R/—)

—Recoil—

Weapon	ROF	Dam	Pen	Blk	Mag	SS	Brst	Rng
Luger/19	SA	1	Nil	2	8/32	2	—	16
stock	SA	1	Nil	3	8/32	2	—	24





## PA-15

**PA-15 (Semiautomatic):** The French standard military sidearm.

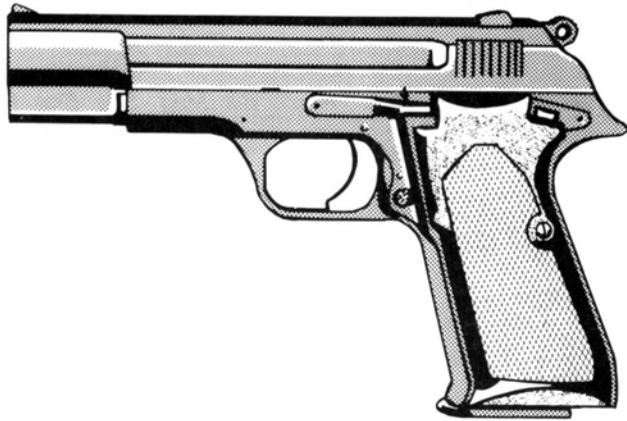
*Ammo:* 9mm P

*Wt:* 1 kg

*Mag:* 15 box

*Price:* \$150 (S/R)

Weapon	ROF	Dam	Pen	Blk	Mag	—Recoil—		
						SS	Brst	Rng
PA-15	SA	1	Nil	1	15	2	—	12



## P-64

**P-64 (Semiautomatic):** The Polish standard military sidearm.

*Ammo:* 9mm M

*Wt:* 1 kg

*Mag:* 6 box

*Price:* \$170 (R/S)

Weapon	ROF	Dam	Pen	Blk	Mag	—Recoil—		
						SS	Brst	Rng
P-64	SA	1	Nil	1	6	2	—	10



## PM Makarov

**PM Makarov (Semiautomatic):** The standard military sidearm of most Eastern European states, widely used by police and internal security forces.

*Ammo:* 9mm M

*Wt:* 0.5 kg

*Mag:* 8 box

*Price:* \$150 (S/V)

Weapon	ROF	Dam	Pen	Blk	Mag	—Recoil—		
						SS	Brst	Rng
PM Makarov	SA	1	Nil	1	8	3	—	10



## Remington XP-100

**Remington XP-100 (Single-Shot Pistol):** This is a bolt-action pistol designed to fire rifle-sized cartridges. It is a favorite with wildcatters and ammo tinkerers.

*Ammo:* .221

*Wt:* 1.7 kg

*Mag:* 1 individual

*Price:* \$350 (R/—)

Weapon	ROF	Dam	Pen	Blk	Mag	—Recoil—		
						SS	Brst	Rng
XP-100	BA	2	1-Nil	2	1i	3	—	40





## Ruger P-85

**Ruger P-85 (Semiautomatic):** A semiautomatic pistol manufactured by Sturm-Ruger Inc., a manufacturer more famous for its revolvers.

*Ammo:* 9mm P  
*Wt:* 0.9 kg  
*Mag:* 14 box  
*Price:* \$500 (C/S)

Weapon	ROF	Dam	Pen	Blk	Mag	—Recoil—		
						SS	Brst	Rng
Ruger P-85	SA	1	Nil	1	14	3	—	12



## Ruger Blackhawk

**Ruger Blackhawk (Single-Action Revolver):** A large-frame revolver designed to stand up to the heaviest .44 magnum loads. The Blackhawk is a single-action revolver, meaning that the hammer must be manually cocked for each shot.

*Ammo:* .44 Magnum  
*Wt:* 1.5 kg  
*Mag:* 6 revolver  
*Price:* \$500 (R/—)

Weapon	ROF	Dam	Pen	Blk	Mag	—Recoil—		
						SS	Brst	Rng
Blackhawk	SAR	3	2-Nil	2	6R	3	—	16



## S&W Model 29/16.5

**S&W Model 29/16.5 (Revolver):** What Sean Connery's portrayal of James Bond did for the Walther PPK, Clint Eastwood as San Francisco Detective Inspector Harry Callahan did for the S&W Model 29 .44 Magnum revolver. The Model 29 is a large-frame revolver and looks like it could bring down a buffalo.

*Ammo:* .44 Magnum  
*Wt:* 1.5 kg  
*Mag:* 6 revolver  
*Price:* \$1000 (R/—)

Weapon	ROF	Dam	Pen	Blk	Mag	—Recoil—		
						SS	Brst	Rng
S&W 29/16.5	DAR	3	2-Nil	2	6R	4	—	16



## S&W Model 29/21.3

**S&W Model 29/21.3 (Revolver):** A longer-barreled version of the basic Model 29.

*Ammo:* .44 Magnum  
*Wt:* 1.6 kg  
*Mag:* 6 revolver  
*Price:* \$1000 (R/—)

Weapon	ROF	Dam	Pen	Blk	Mag	—Recoil—		
						SS	Brst	Rng
S&W 29/21.3	DAR	3	2-Nil	2	6R	3	—	18





### S&W Model 29/10.2

**S&W Model 29/10.2 (Revolver):** A shorter and more easily handled version of the basic Model 29.

*Ammo:* .44 Magnum  
*Wt:* 1.4 kg  
*Mag:* 6 revolver  
*Price:* \$900 (R/—)

Weapon	ROF	Dam	Pen	Blk	Mag	—Recoil—		
						SS	Brst	Rng
S&W 29/10.2	DAR	3	2-Nil	1	6R	4	—	12



### S&W Model 19/6.6

**S&W Mod. 19/6.6 (Revolver):** Built on the S&W "K" frame, the Model 19 was introduced in the 1950s and was originally intended for law enforcement use only. It is now common in the hands of police and civilians alike.

*Ammo:* .357 Magnum  
*Wt:* 1 kg  
*Mag:* 6 revolver  
*Price:* \$350 (R/—)

Weapon	ROF	Dam	Pen	Blk	Mag	—Recoil—		
						SS	Brst	Rng
S&W 19/6.6	DAR	2	Nil	1	6R	4	—	4



### S&W Model 19/10.2

**S&W Mod. 19/10.2 (Revolver):** A longer-barreled version of the Model 19.

*Ammo:* .357 Magnum  
*Wt:* 1.1 kg  
*Mag:* 6 revolver  
*Price:* \$350 (R/—)

Weapon	ROF	Dam	Pen	Blk	Mag	—Recoil—		
						SS	Brst	Rng
S&W 19/10.2	DAR	2	1-Nil	1	6R	4	—	12



### S&W Model 19/15.3

**S&W Mod. 19/15.3 (Revolver):** A still longer-barreled version of the Model 19.

*Ammo:* .357 Magnum  
*Wt:* 1.3 kg  
*Mag:* 6 revolver  
*Price:* \$375 (R/—)

Weapon	ROF	Dam	Pen	Blk	Mag	—Recoil—		
						SS	Brst	Rng
S&W 19/15.3	DAR	2	1-Nil	2	6R	3	—	16





## S&W Model 27/9

**S&W Model 27/9 (Revolver):** The S&W Model 27/9 was designed in the 1930s and was the first firearm to use the .357 cartridge. It reigned supreme as the most powerful revolver until the 1950s.

- Ammo: .357 Magnum
- Wt: 1.3 kg
- Mag: 6 revolver
- Price: \$450 (R/—)

—Recoil—									
Weapon	ROF	Dam	Pen	Blk	Mag	SS	Brst	Rng	
S&W 27/9	DAR	2	1-Nil	1	6R	3	—	10	

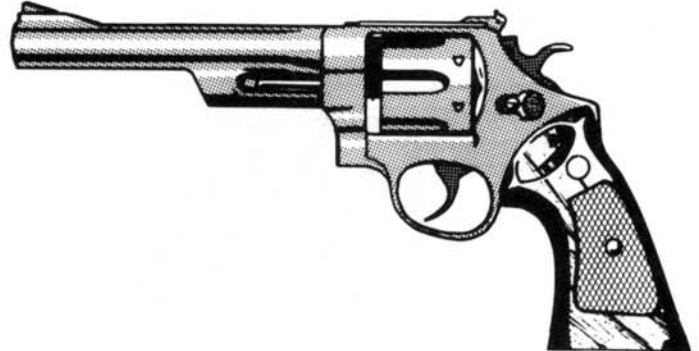


## S&W Model 27/13

**S&W Model 27/13 (Revolver):** A longer-barreled version of the Model 27.

- Ammo: .357 Magnum
- Wt: 1.3 kg
- Mag: 6 revolver
- Price: \$450 (R/—)

—Recoil—									
Weapon	ROF	Dam	Pen	Blk	Mag	SS	Brst	Rng	
S&W 27/13	DAR	2	1-Nil	1	6R	3	—	12	

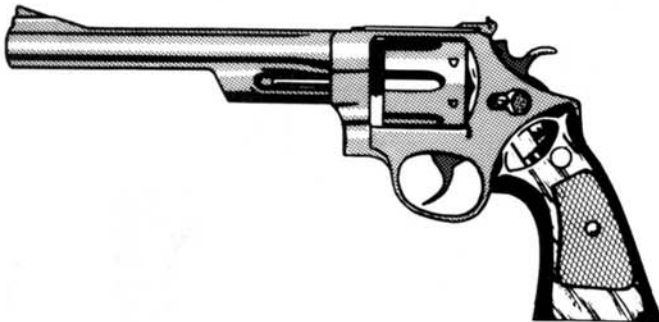


## S&W Model 27/15

**S&W Model 27/15 (Revolver):** A still longer-barreled version of the Model 27.

- Ammo: .357 Magnum
- Wt: 1.4 kg
- Mag: 6 revolver
- Price: \$475 (R/—)

—Recoil—									
Weapon	ROF	Dam	Pen	Blk	Mag	SS	Brst	Rng	
S&W 27/15	DAR	2	1-Nil	2	6R	3	—	16	

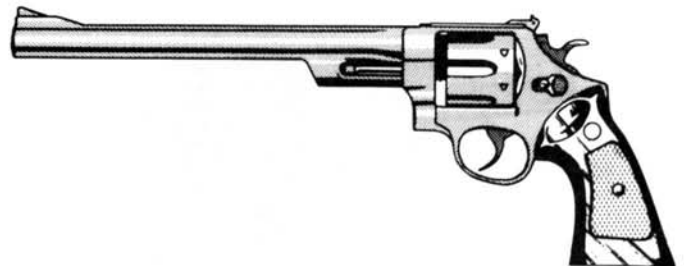


## S&W Model 27/21

**S&W Model 27/21 (Revolver):** A still longer-barreled version of the Model 27.

- Ammo: .357 Magnum
- Wt: 1.4 kg
- Mag: 6 revolver
- Price: \$475 (R/—)

—Recoil—									
Weapon	ROF	Dam	Pen	Blk	Mag	SS	Brst	Rng	
S&W 27/21	DAR	2	1-Nil	2	6R	3	—	18	







## S&W Model 36

**S&W Model 36 (Revolver):** The S&W Model 36 (nick-named the Chief's Special) is built on the small "J" frame, and its cylinder has room for only five rounds. Because of this, the Model 36 is favored by plainclothes detectives who must carry revolvers.

- Ammo:* .38 Special
- Wt:* 0.7 kg
- Mag:* 5 revolver
- Price:* \$315 (S/R)

Weapon	ROF	Dam	Pen	Blk	Mag	—Recoil—		
						SS	Brst	Rng
S&W 36	DAR	1	Nil	1	5R	6	—	4



## S&W Model 39, 439, 639

**S&W Model 39, 439, 639 (Semiautomatic):** This series of 9mm semiautomatic pistols is from a manufacturer more famous for its revolvers. The various model numbers are identical for game purposes.

- Ammo:* 9mm P
- Wt:* 0.9 kg
- Mag:* 8 box
- Price:* \$485 (C/R)

Weapon	ROF	Dam	Pen	Blk	Mag	—Recoil—		
						SS	Brst	Rng
39, 439, 639	SA	1	Nil	1	8	3	—	12



## S&W Model 59, 459, 659

**S&W Model 59, 459, 659 (Semiautomatic):** This series of 9mm semiautomatic pistols is similar to the 39 series, but has a larger-capacity staggered magazine. The series is popular with police and security forces. The various model numbers are identical for game purposes.

- Ammo:* 9mm P
- Wt:* 1 kg
- Mag:* 14 box
- Price:* \$495 (C/R)

Weapon	ROF	Dam	Pen	Blk	Mag	—Recoil—		
						SS	Brst	Rng
59, 459, 659	SA	1	Nil	1	14	3	—	12

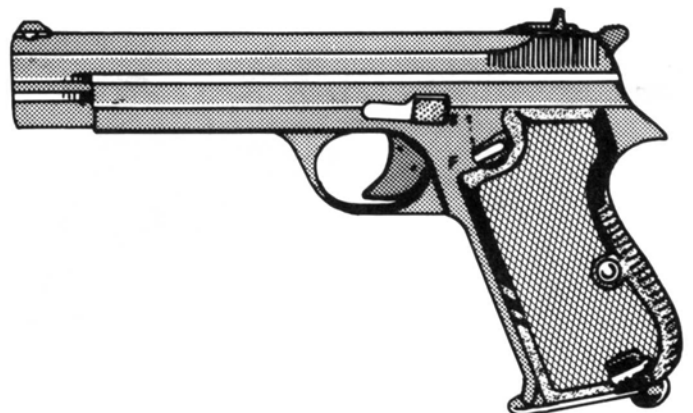


## SIG P-210-2 (Model 49)

**SIG P-210-2 (Semiautomatic):** Also known as the Model 49, this weapon is a Swiss-made semiautomatic pistol that is highly regarded and much sought after.

- Ammo:* 9mm P
- Wt:* 1.1 kg
- Mag:* 8 box
- Price:* \$550 (S/R)

Weapon	ROF	Dam	Pen	Blk	Mag	—Recoil—		
						SS	Brst	Rng
SIG P-210-2	SA	1	Nil	1	8	3	—	12





## Steyr GB80

**Steyr GB80 (Semiautomatic):** This is a double-action, high-capacity, semiautomatic pistol of Austrian design and manufacture. It is used by a number of military and police forces worldwide, most notably Austria and Australia.

Ammo: 9mm P  
 Wt: 1.2 kg  
 Mag: 18 box  
 Price: \$750 (S/R)

—Recoil—									
Weapon	ROF	Dam	Pen	Blk	Mag	SS	Brst	Rng	
Steyr GB80	SA	1	Nil	1	18	3	—	12	



## Vz-52

**Vz-52 (Semiautomatic):** Standard sidearm of Czech military forces.

Ammo: 7.62mm T  
 Wt: 0.5 kg  
 Mag: 8 box  
 Price: \$100 (R/S)

—Recoil—									
Weapon	ROF	Dam	Pen	Blk	Mag	SS	Brst	Rng	
Vz-52	SA	1	Nil	1	8	4	—	12	



## Walther P-38

**Walther P-38 (Semiautomatic):** One of the most common firearms issued to German officers in WWII, the P-38 was designed to be a simpler, more rugged replacement for the Luger. It is still in use by many armies and police agencies worldwide.

Ammo: 9mm P  
 Wt: 1 kg  
 Mag: 8 box  
 Price: \$650 (R/R)

—Recoil—									
Weapon	ROF	Dam	Pen	Blk	Mag	SS	Brst	Rng	
Walther P-38	SA	1	Nil	1	8	3	—	12	



## Walther PPK

**Walther PPK (Semiautomatic):** The Walther PPK (*Polizei Pistole Kriminal* or criminal police pistol) is a German pistol favored by European police agencies. It is best known as the weapon of the British MI-5 and MI-6 organizations. It was made famous in the public eye by Sean Connery's use of it in the *James Bond* films.

Ammo: .380 ACP  
 Wt: 0.8 kg  
 Mag: 7 box  
 Price: \$500 (S/R)

—Recoil—									
Weapon	ROF	Dam	Pen	Blk	Mag	SS	Brst	Rng	
Walther PPK	SA	1	Nil	1	7	3	—	10	





## Webley Mk 6

**Webley Mk 6 (revolver):** A British WWI- and WWII-vintage revolver. The Mk 6 was replaced by the HP-35 as the standard British sidearm, but is still found with some police and paramilitary forces.

Ammo: .455  
 Wt: 1.2 kg  
 Mag: 6 revolver  
 Price: \$350 (S/R)

Weapon	ROF	Dam	Pen	Blk	Mag	—Recoil—			
						SS	Brst	Rng	
Mk 6	DAR	1	Nil	1	6R	2	—	8	

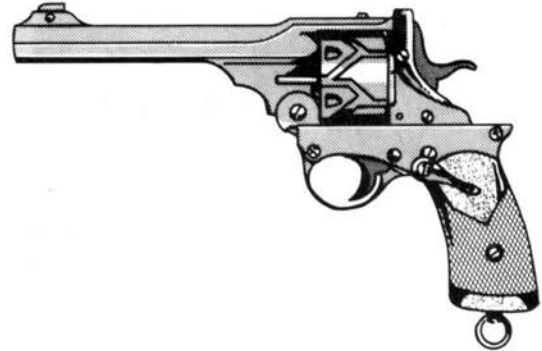


## Webley Fosbury

**Webley Fosbury (Revolver):** Generations of mystery readers (and moviegoers) knew this pistol and no other since it was the weapon that killed Sam Spade's partner in *The Maltese Falcon*.

Ammo: .455  
 Wt: 1.4 kg  
 Mag: 6 revolver  
 Price: \$450 (R/—)

Weapon	ROF	Dam	Pen	Blk	Mag	—Recoil—			
						SS	Brst	Rng	
Fosbury	DAR	1	Nil	1	6R	2	—	8	



## Welrod .32

**Welrod .32 (Bolt-Action Pistol):** The Welrod is a specially designed "assassination" pistol. It has an integral silencer and using subsonic cartridges for minimal firing noise. It is extremely rare.

Ammo: .32 subsonic  
 Wt: 0.9 kg  
 Mag: 6 individual  
 Price: \$800 (—/—)

Weapon	ROF	Dam	Pen	Blk	Mag	—Recoil—			
						SS	Brst	Rng	
Welrod .32	BA	1	Nil	2	6i	2	—	4	



## Wildey .45 WM

**Wildey .45 WM (Semiautomatic Pistol):** Another pistol whose popularity was due to a movie, the Wildey .45 WM was made famous by Charles Bronson in the *Death Wish* series of films. Since each weapon is essentially hand-built, the caliber can be just about anything desired. We have included a typical loading.

Ammo: .45 Winchester Magnum  
 Wt: 1.5 kg  
 Mag: 8 box  
 Price: \$1200 (—/—)

Weapon	ROF	Dam	Pen	Blk	Mag	—Recoil—			
						SS	Brst	Rng	
.45 WM	SA	4	2-Nil	1	8	4	—	20	





## 180 M-2

**180 M-2 (Submachinegun):** This is an Austrian SMG in a very small caliber, but with a correspondingly high magazine capacity.

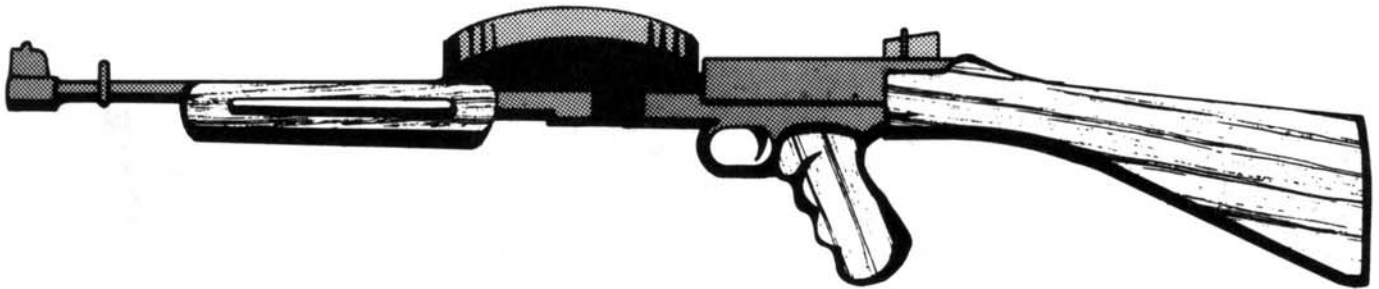
*Ammo:* .22 long rifle

*Wt:* 4.7 kg

*Mag:* 177 drum

*Price:* \$250 (R/—)

<i>Weapon</i>	<i>ROF</i>	<i>Dam</i>	<i>Pen</i>	<i>Blk</i>	<i>Mag</i>	<i>—Recoil—</i>		
						<i>SS</i>	<i>Brst</i>	<i>Rng</i>
180 M-2	10	-1	Nil	5	177	1	5	20



## AKR

**AKR (Submachinegun):** The standard Eastern Bloc military submachinegun (with few exceptions), the AKR is merely a cut-down version of the AK-74. Although a bit heavy for a submachinegun, it has good accuracy and stopping power.

*Ammo:* 5.45mm B

*Wt:* 4 kg

*Mag:* 30 box

*Price:* \$300 (S/C)

<i>Weapon</i>	<i>ROF</i>	<i>Dam</i>	<i>Pen</i>	<i>Blk</i>	<i>Mag</i>	<i>—Recoil—</i>		
						<i>SS</i>	<i>Brst</i>	<i>Rng</i>
AKR	5	3	1-Nil	2/3	30	3	8	30





## AMD-65

**AMD-65 (Submachinegun):** A Hungarian submachinegun—basically, a shortened version of the AK-47.

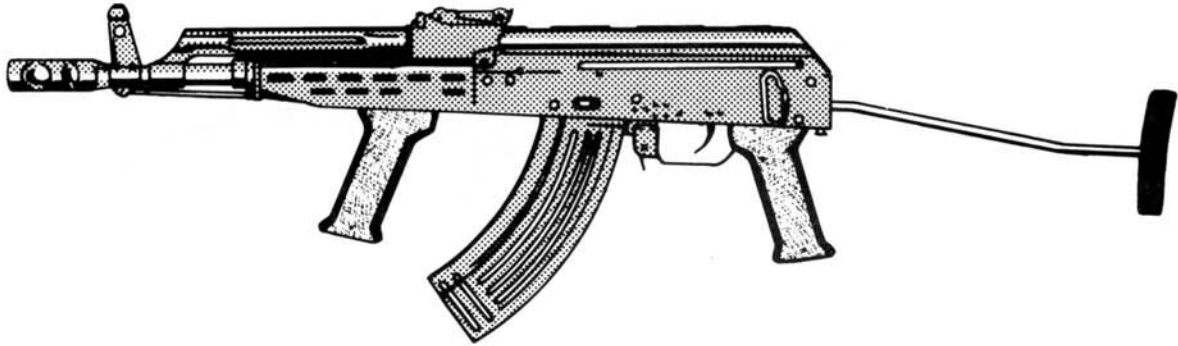
*Ammo:* 7.62mm S

*Wt:* 4 kg

*Mag:* 30 box

*Price:* \$300 (R/S)

Weapon	ROF	Dam	Pen	Blk	Mag	—Recoil—		
						SS	Brst	Rng
AMD-65	5	3	1-Nil	3/4	30	3	8	40



## Beretta M12

**Beretta M12 (Submachinegun):** The Italian standard military and police submachinegun.

*Ammo:* 9mm P

*Wt:* 3.7 kg

*Mag:* 20 box or 40 box

*Price:* \$400 (R/—)

Weapon	ROF	Dam	Pen	Blk	Mag	—Recoil—		
						SS	Brst	Rng
Beretta M12	5	1	Nil	2/3	20/40	2	5	30





## Beretta M38A

**Beretta M38A (Submachinegun):** This weapon was the standard Italian military submachinegun in WWII.

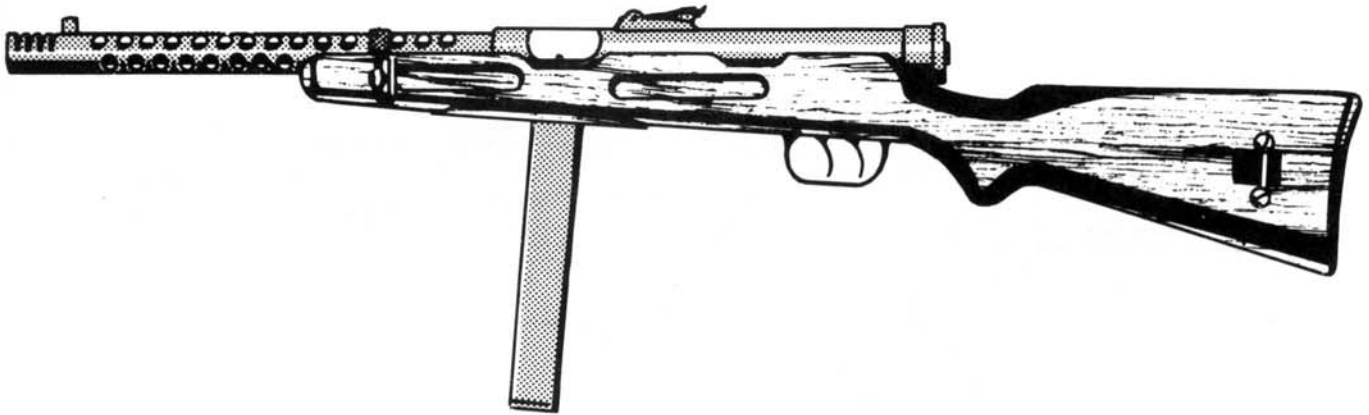
*Ammo:* 9mm P

*Wt:* 5 kg

*Mag:* 40 box

*Price:* \$700 (R/—)

Weapon	ROF	Dam	Pen	—Recoil—				
				Blk	Mag	SS	Brst	Rng
Beretta M38A	5	2	Nil	5	40	2	4	30



## Beretta M93R

**Beretta M93R (Submachinegun):** This submachinegun is a heavily modified version of the M92 9mm pistol.

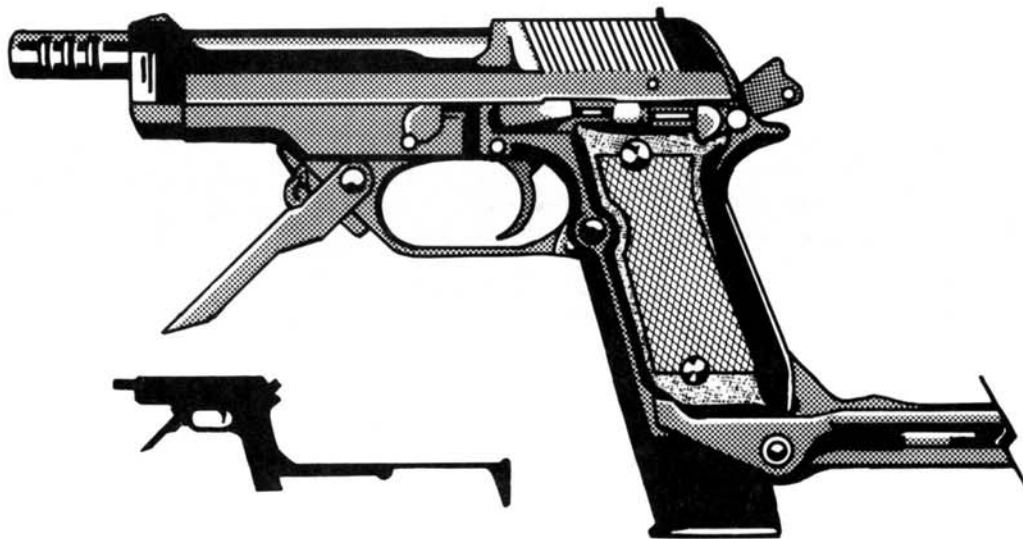
*Ammo:* 9mm P

*Wt:* 1.5 kg (1.8 kg with stock)

*Mag:* 20 box

*Price:* \$650 (S/R)

Weapon	ROF	Dam	Pen	—Recoil—				
				Blk	Mag	SS	Brst	Rng
Beretta M93R	3	2	Nil	1	20	5	7	12
stock	3	2	Nil	2	20	3	6	20





## Bushmaster

**Bushmaster (Submachinegun):** A not-altogether-successful attempt to develop a 5.56mm N submachinegun. The weapon's main problem is that the powder charge does not completely consume itself before the round leaves the barrel, making the muzzle flash extremely distracting. Also, its ambidextrous, nontraditional design makes it clumsy to inexperienced users.

*Ammo:* 5.56mm N

*Wt:* 2.8 kg

*Mag:* 20 box or 40 box

*Price:* \$450 (R/—)

Weapon	ROF	Dam	Pen	—Recoil—				
				Blk	Mag	SS	Brst	Rng
Bushmaster	5	3	1-Nil	3	20/40	4	10	30



## M177

**M177 (Submachinegun):** The M177 is a shortened carbine version of the M16 assault rifle. It cannot be fitted with the M203 GL, but it can use rifle grenades.

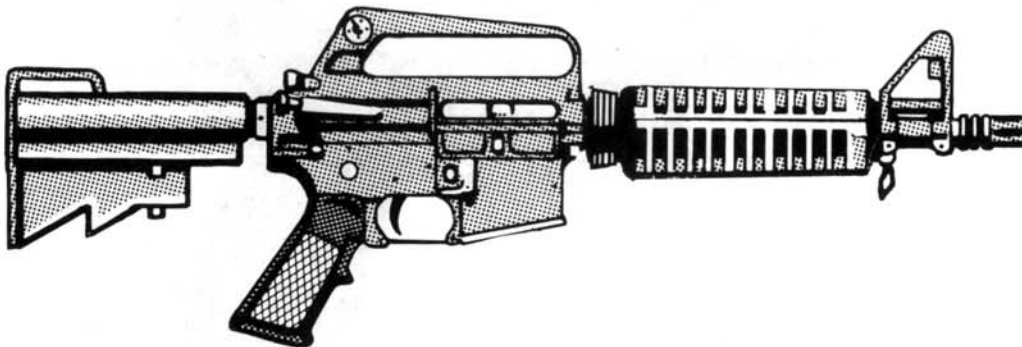
*Ammo:* 5.56mm N

*Wt:* 2.5 kg

*Mag:* 20 box or 30 box

*Price:* \$750 (S/R)

Weapon	ROF	Dam	Pen	—Recoil—				
				Blk	Mag	SS	Brst	Rng
M177	5	3	1-Nil	3/4	20/30	3	8	40





## Colt 9mm SMG

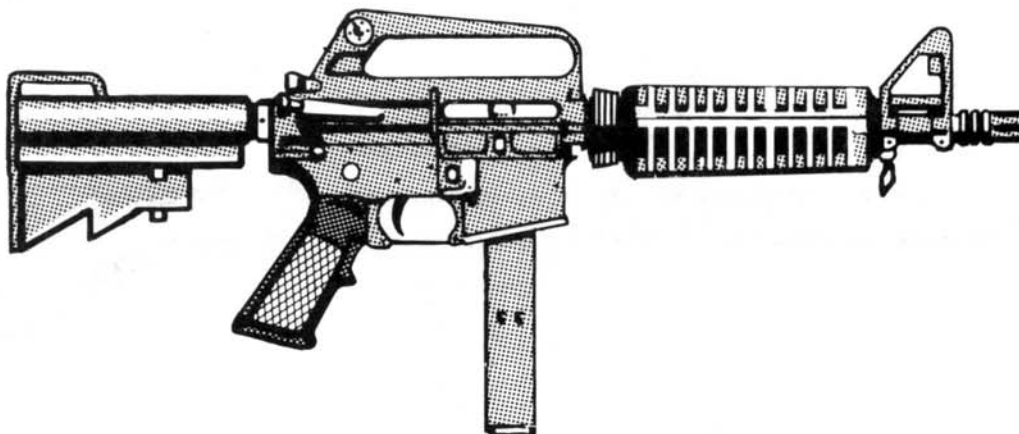
**Colt 9mm SMG (Submachinegun):** This is a version of the M177 chambered for the 9mm P pistol round. It was manufactured by Colt in hopes of a sale to the US Army. The weapon was never adopted by the US, but is used by other armies and police forces worldwide.

*Ammo:* 9mm P

*Wt:* 3.2 kg

*Mag:* 20 box or 30 box

*Price:* \$850 (S/R)



—Recoil—

<i>Weapon</i>	<i>ROF</i>	<i>Dam</i>	<i>Pen</i>	<i>Blk</i>	<i>Mag</i>	<i>SS</i>	<i>Brst</i>	<i>Rng</i>
9mm SMG	5	2	Nil	3/4	20/30	2	6	30

## Colt Scamp

**Colt Scamp (Submachinegun):** The Colt Scamp was an experiment in submachinegun design that was not widely accepted because of its small caliber and odd cartridge (designed especially for this weapon). It has no stock and has a three-round burst limiter, meaning that the magazine cannot be emptied in one long burst.

*Ammo:* .22 SC

*Wt:* 1.5 kg

*Mag:* 27 box

*Price:* \$750 (R/—)



—Recoil—

<i>Weapon</i>	<i>ROF</i>	<i>Dam</i>	<i>Pen</i>	<i>Blk</i>	<i>Mag</i>	<i>SS</i>	<i>Brst</i>	<i>Rng</i>
Colt Scamp	3	2	1-Nil	1	27	4	7	12





## F1A1

**F1A1 (Submachinegun):** This is an Australian-built WWII-vintage Australian submachinegun. Its main distinguishing feature is a top-mounted magazine.

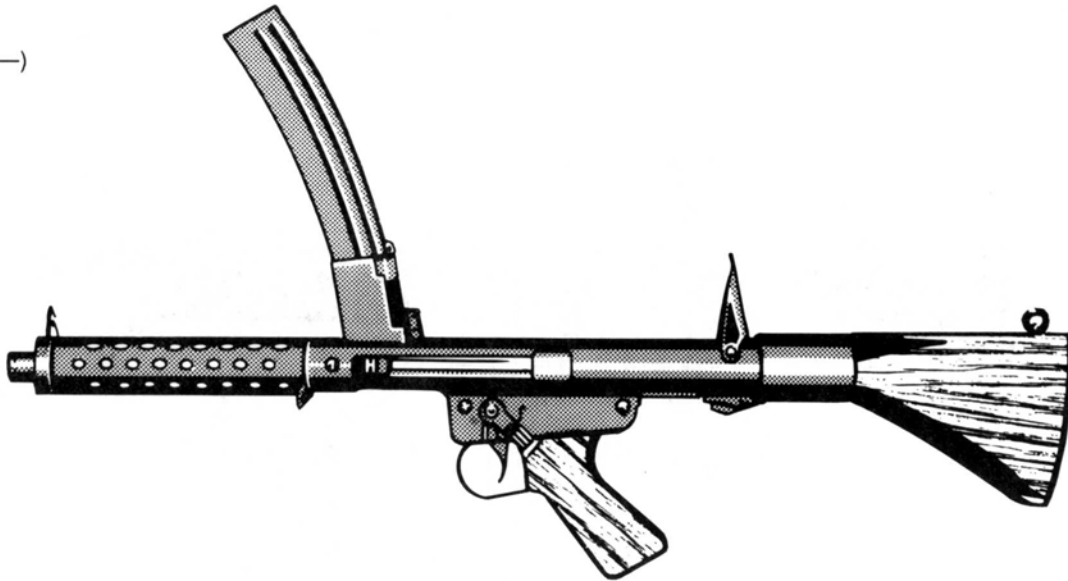
*Ammo:* 9mm P

*Wt:* 4 kg

*Mag:* 32 box

*Price:* \$750 (R/—)

Weapon	ROF	Dam	Pen	Blk	Mag	—Recoil—		
						SS	Brst	Rng
F1A1	5	2	Nil	4	32	2	4	30



## HM-3

**HM-3 (Submachinegun):** The standard submachine of the Mexican Army and police.

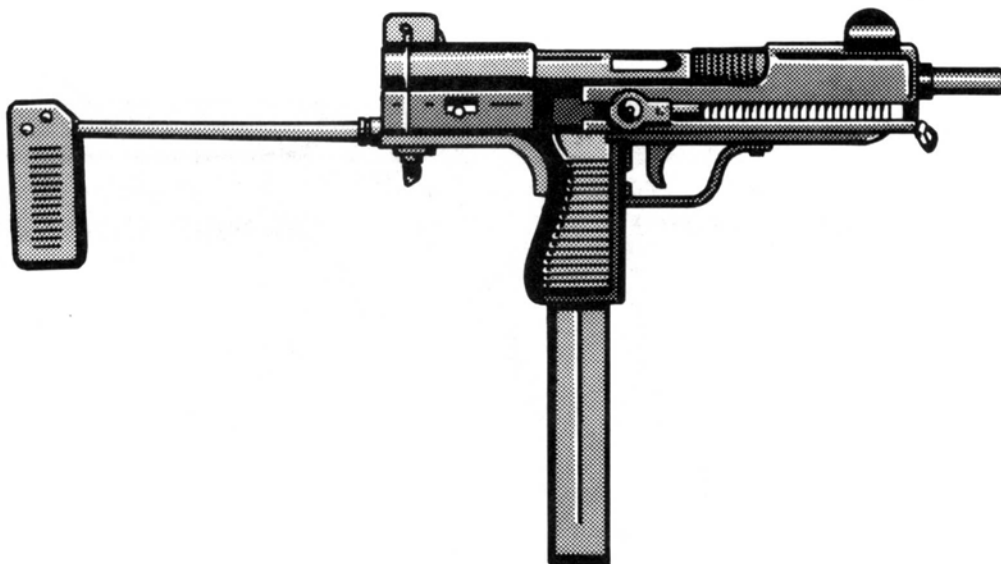
*Ammo:* 9mm P

*Wt:* 3.6 kg

*Mag:* 32 box

*Price:* \$750 (C/S)

Weapon	ROF	Dam	Pen	Blk	Mag	—Recoil—		
						SS	Brst	Rng
HM-3	5	2	Nil	2/3	32	2	5	30





## Ingram M10 9mm

**Ingram M10 9mm (Submachinegun):** The Ingram was designed especially for clandestine work and has acquired a large body of enthusiasts (and detractors). The barrel is threaded to take a specially designed suppressor.

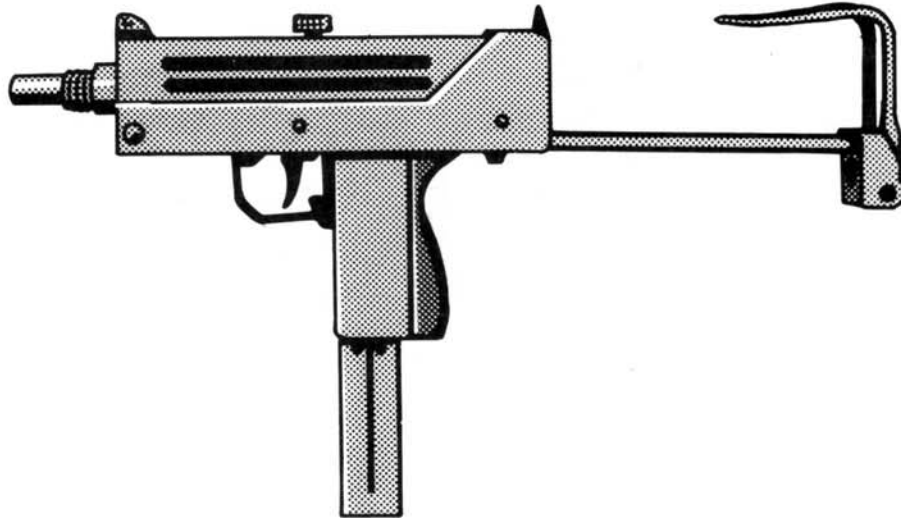
*Ammo:* 9mm P

*Wt:* 3.5 kg

*Mag:* 32 box

*Price:* \$350 (C/S)

<i>Weapon</i>	<i>ROF</i>	<i>Dam</i>	<i>Pen</i>	<i>Blk</i>	<i>Mag</i>	<i>—Recoil—</i>		
						<i>SS</i>	<i>Brst</i>	<i>Rng</i>
M10 9mm	10	2	Nil	1/3	32	2	9	20



## Ingram M10 .45

**Ingram M10 .45 (Submachinegun):** This model is chambered for .45 ACP and is somewhat less controllable in fully automatic fire than the other models.

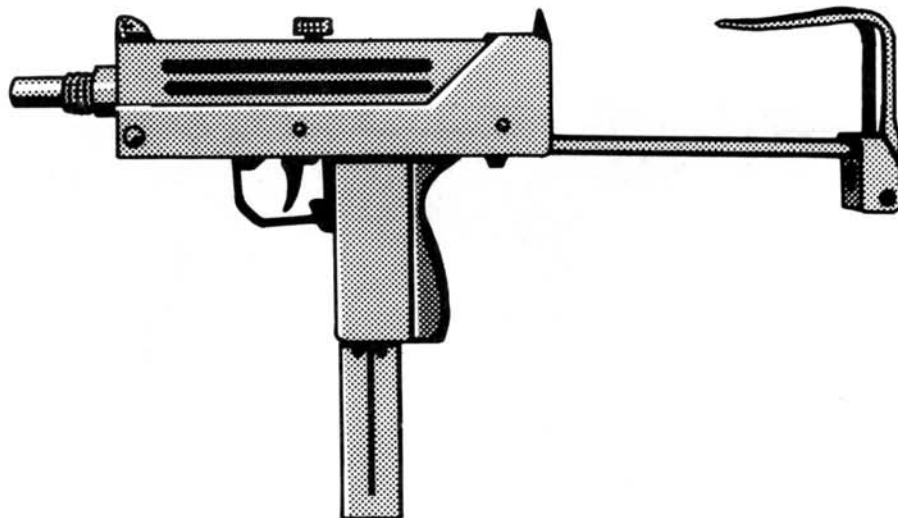
*Ammo:* .45 ACP

*Wt:* 3.8 kg

*Mag:* 30 box

*Price:* \$450 (R/R)

<i>Weapon</i>	<i>ROF</i>	<i>Dam</i>	<i>Pen</i>	<i>Blk</i>	<i>Mag</i>	<i>—Recoil—</i>		
						<i>SS</i>	<i>Brst</i>	<i>Rng</i>
M10 .45	10	2	Nil	1/3	30	2	10	20





## Ingram M11

**Ingram M11 (Submachinegun):** The .380 ACP version of the Ingram series. This Ingram SMG is the most concealable and is the least controllable.

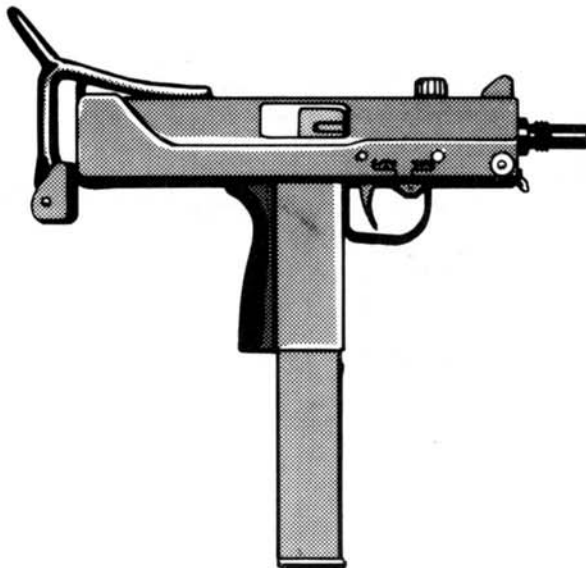
*Ammo:* .380 ACP

*Wt:* 2 kg

*Mag:* 16 box or 32 box

*Price:* \$400 (R/R)

Weapon	ROF	Dam	Pen	Blk	Mag	—Recoil—		
						SS	Brst	Rng
Ingram M11	10	1	Nil	1/2	16/32	2	11	20



## K-50

**K-50 (Submachinegun):** This weapon is a Vietnamese submachinegun. It is basically a modified Chinese SMG built in North Vietnam in large numbers.

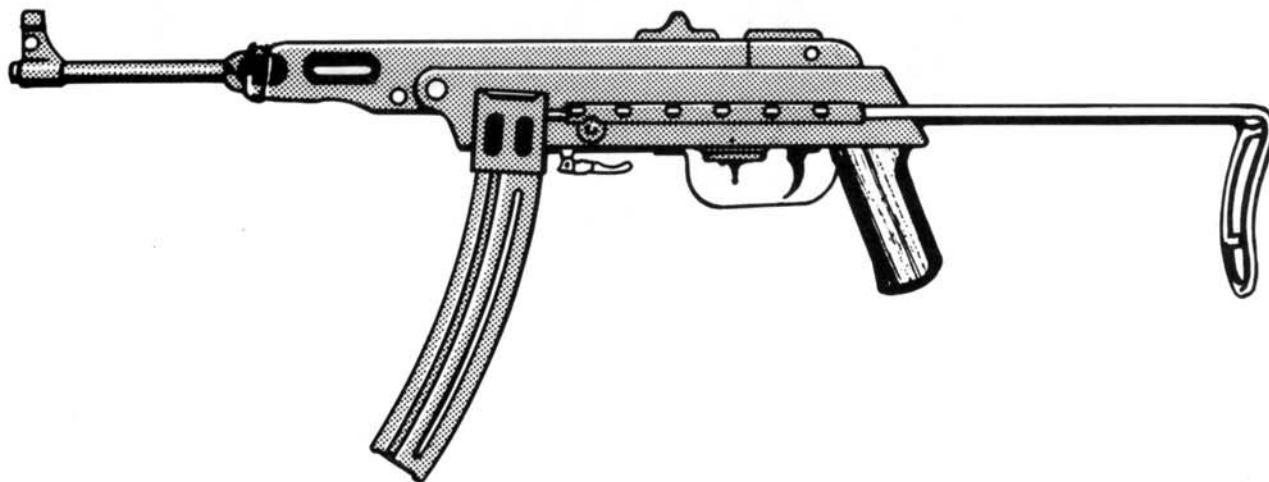
*Ammo:* 7.62mm T

*Wt:* 4 kg

*Mag:* 35 box

*Price:* \$450 (R/S)

Weapon	ROF	Dam	Pen	Blk	Mag	—Recoil—		
						SS	Brst	Rng
K-50	5	2	1-Nil	3/4	35	2	5	30





## L2A3 Sterling

**L2A3 Sterling (Submachinegun):** The standard military submachinegun of the British Army, the Sterling has also found its way into general use by other armies and some police and government agencies.

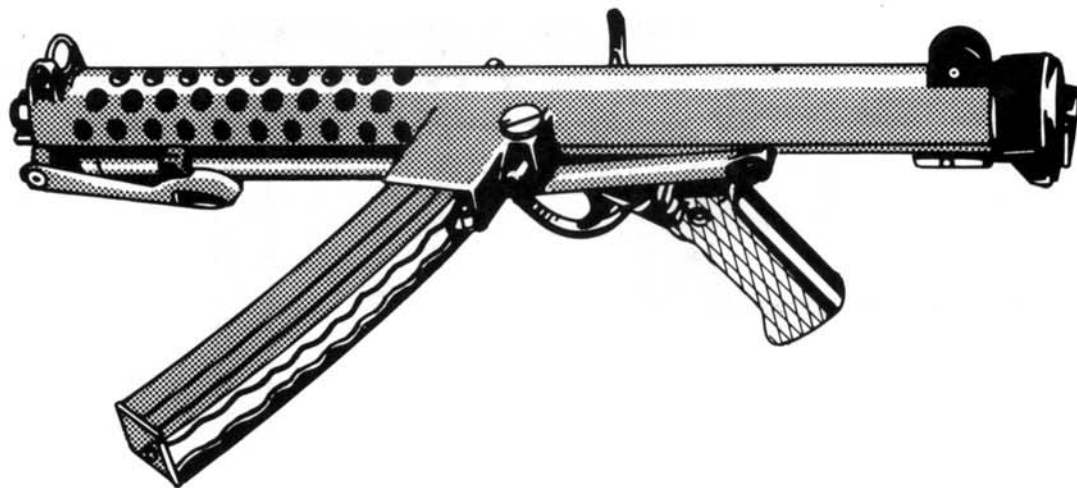
*Ammo:* 9mm P

*Wt:* 3.5 kg

*Mag:* 34 box

*Price:* \$600 (C/S)

Weapon	ROF	Dam	Pen	Blk	Mag	—Recoil—		
						SS	Brst	Rng
L2A3 Sterling	5	2	Nil	2/3	34	2	5	30



## L34A1 Sterling

**L34A1 Sterling (Submachinegun):** This version of the British Sterling SMG features a built-in suppressor.

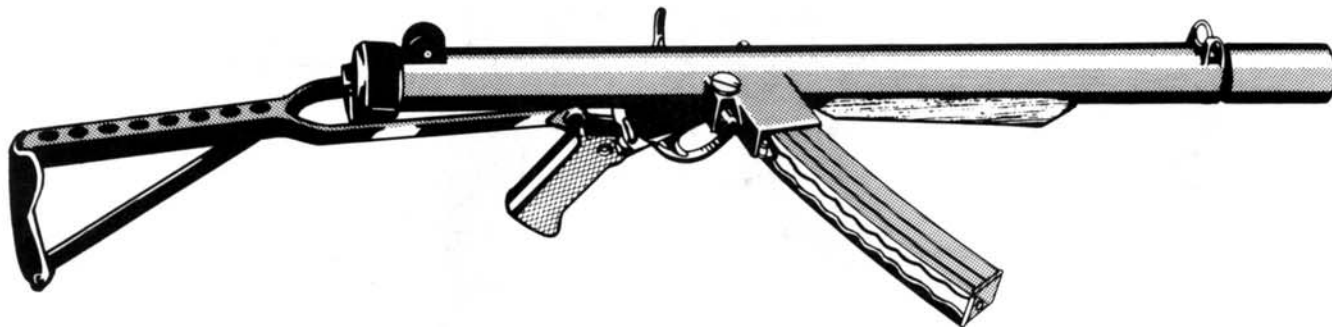
*Ammo:* 9mm P

*Wt:* 4.3 kg

*Mag:* 34 box

*Price:* \$850 (R/—)

Weapon	ROF	Dam	Pen	Blk	Mag	—Recoil—		
						SS	Brst	Rng
L34A1 Sterling	5	2	Nil	3/4	34	1	4	30





## M-45 Carl Gustav

**M-45 Carl Gustav (Submachinegun):** A Swedish 9mm submachinegun, named (as the Swedes seem to name all their weapons) the Carl Gustav. It is in very widespread use.

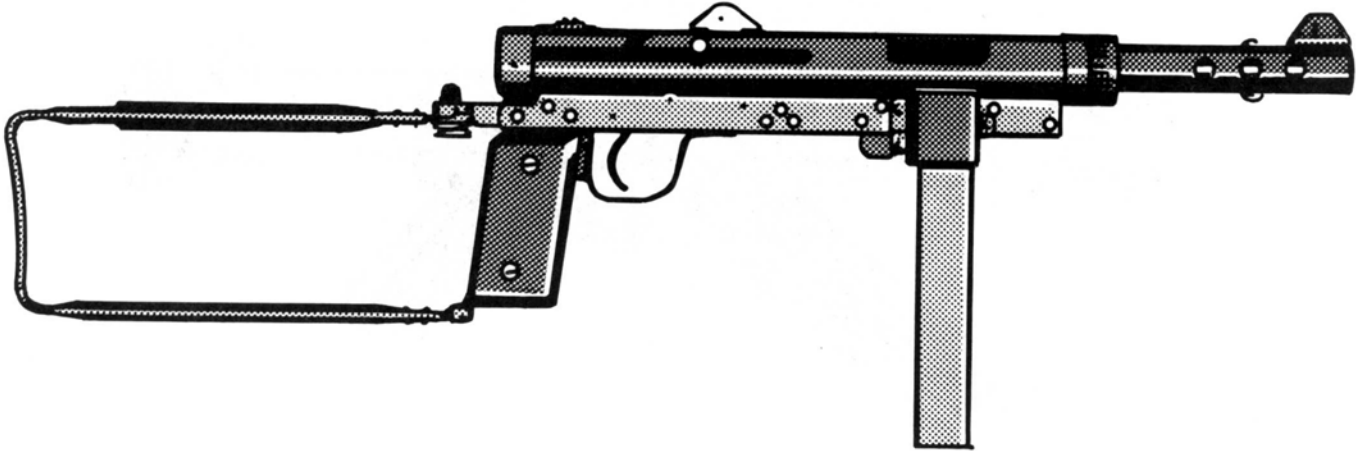
*Ammo:* 9mm P

*Wt:* 4.2 kg

*Mag:* 36 box or 50 box

*Price:* \$400 (C/S)

Weapon	ROF	Dam	Pen	Blk	Mag	—Recoil—		
						SS	Brst	Rng
M-45	5	2	Nil	3/4	36/50	2	4	30



## M3A1

**M3A1 (Submachinegun):** Called the "grease gun" because of its fancied resemblance to an automotive maintenance tool, this weapon is no longer in US Army service, but it is used by a number of other armies and some police forces throughout the world.

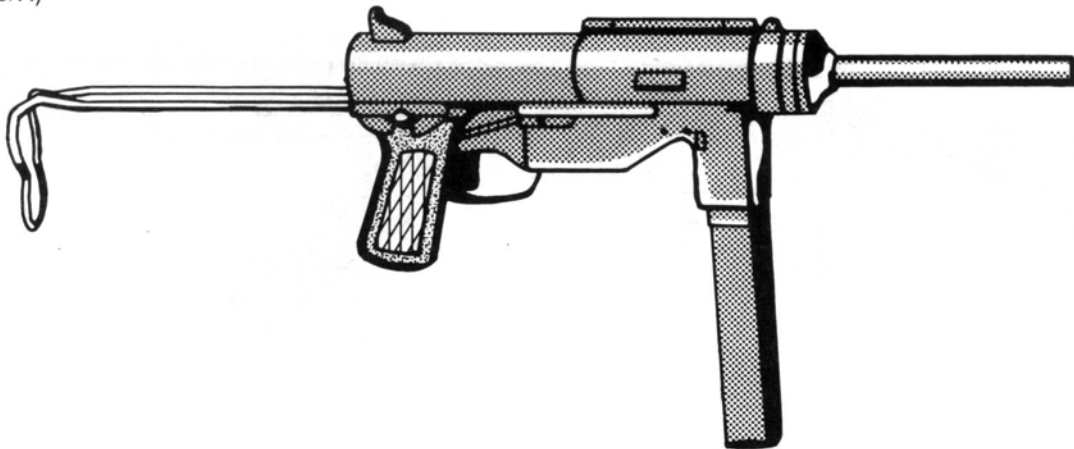
*Ammo:* .45 ACP

*Wt:* 4.5 kg

*Mag:* 30 box

*Price:* \$300 (S/R)

Weapon	ROF	Dam	Pen	Blk	Mag	—Recoil—		
						SS	Brst	Rng
M3A1	5	2	Nil	3/4	30	2	4	30





## M231

**M231 (Submachinegun):** The standard firing-port weapon on the M2 Bradley, the M231 is a satisfactory vehicle weapon for suppressive fire but a mediocre submachinegun. It cannot be fitted with the M203 40mm GL.

*Ammo:* 5.56mm N

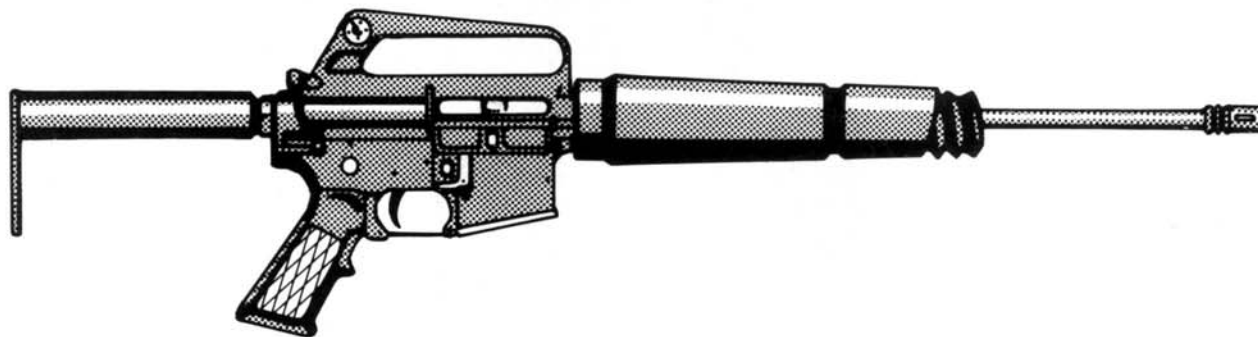
*Wt:* 3 kg

*Mag:* 20 box or 30 box

*Price:* \$300 (V/C)

—Recoil—

<i>Weapon</i>	<i>ROF</i>	<i>Dam</i>	<i>Pen</i>	<i>Blk</i>	<i>Mag</i>	<i>SS</i>	<i>Brst</i>	<i>Rng</i>
M231	5	2	1-Nil	3/4	20/30	1	4	25



## Madson M50

**Madson M50 (Submachinegun):** The Madson is a Danish SMG sold primarily in Latin America. The weapon is fitted with a safety interlock that prohibits it from being fired with one hand.

*Ammo:* 9mm P

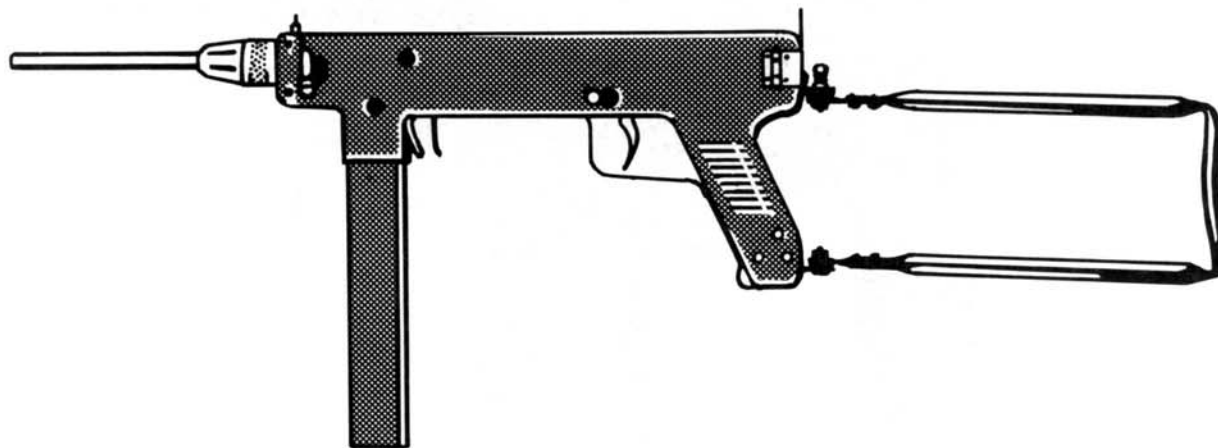
*Wt:* 3.5 kg

*Mag:* 32 box

*Price:* \$450 (C/S)

—Recoil—

<i>Weapon</i>	<i>ROF</i>	<i>Dam</i>	<i>Pen</i>	<i>Blk</i>	<i>Mag</i>	<i>SS</i>	<i>Brst</i>	<i>Rng</i>
Madson M50	5	2	Nil	3/4	32	2	5	30





## MAT-49

**MAT-49 (Submachinegun):** The French standard military and police submachinegun.

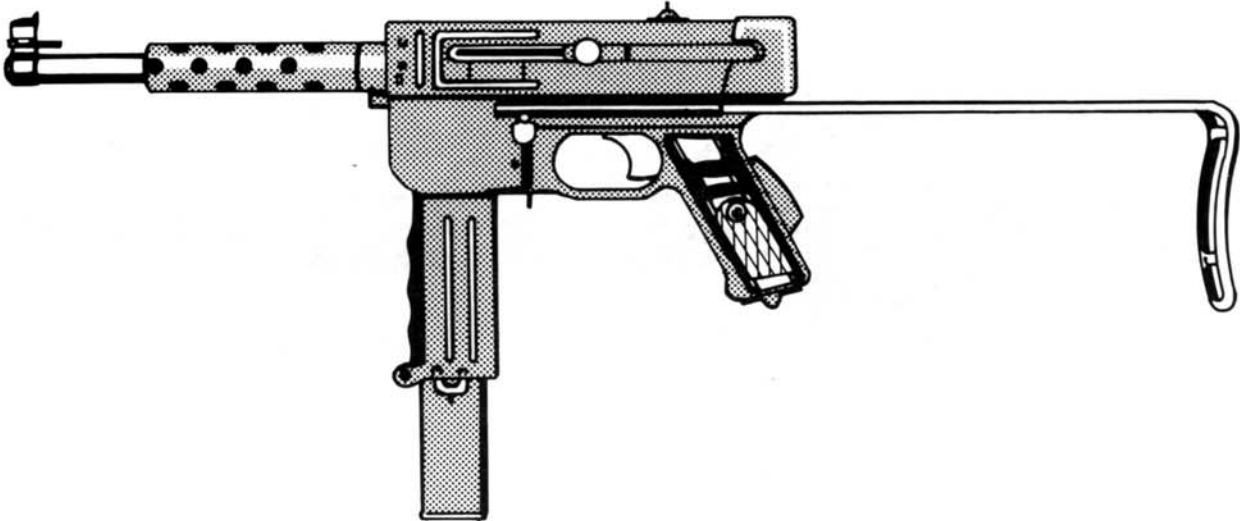
*Ammo:* 9mm P

*Wt:* 4.8 kg

*Mag:* 32 box

*Price:* \$300 (S/R)

Weapon	ROF	Dam	Pen	Blk	Mag	—Recoil—		
						SS	Brst	Rng
MAT-49	5	2	Nil	3/4	32	1	4	30



## Mauser M32 (M712)

**Mauser M32 (Submachinegun):** The Mauser M32 (aka M712) is a fully automatic version of the Mauser M1896 Broomhandle, developed in the 1930s in Germany.

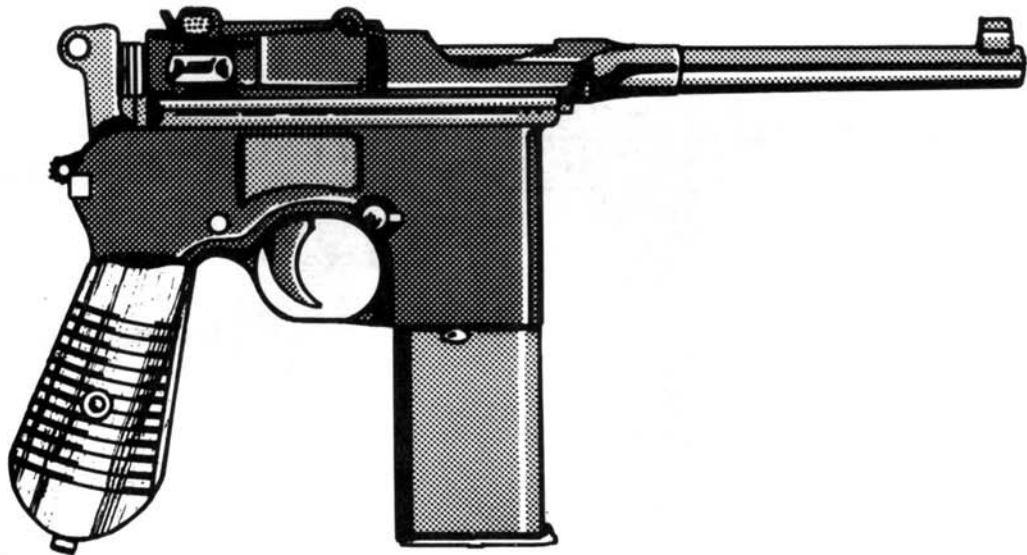
*Ammo:* 7.62mm T

*Wt:* 1.8 kg

*Mag:* 10 box or 20 box

*Price:* \$825 (S/R)

Weapon	ROF	Dam	Pen	Blk	Mag	—Recoil—		
						SS	Brst	Rng
M32/M712	5	2	Nil	1	10/20	4	9	12
stock	5	2	Nil	3	10/20	2	5	20





## Mini-Uzi

**Mini-Uzi (Submachinegun):** A compact version of the Uzi 9mm SMG, favored by vehicle and air crewmembers. Magazines and some parts are interchangeable with the regular Uzi.

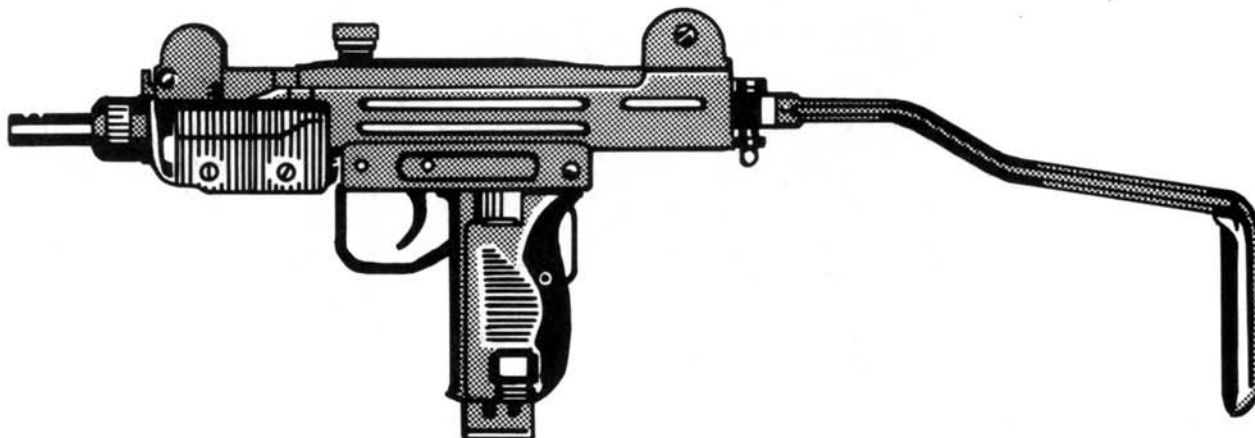
*Ammo:* 9mm P

*Wt:* 3 kg

*Mag:* 20 box or 30 box

*Price:* \$600 (C/S)

<i>Weapon</i>	<i>ROF</i>	<i>Dam</i>	<i>Pen</i>	<i>Blk</i>	<i>Mag</i>	<i>—Recoil—</i>		
						<i>SS</i>	<i>Brst</i>	<i>Rng</i>
Mini-Uzi	10	2	Nil	1/3	20/30	2	10	30



## MP-5A2

**MP-5A2 (Submachinegun):** The standard submachinegun of German territorial troops and police.

*Ammo:* 9mm P

*Wt:* 3 kg

*Mag:* 15 box or 30 box

*Price:* \$400 (C/S)

<i>Weapon</i>	<i>ROF</i>	<i>Dam</i>	<i>Pen</i>	<i>Blk</i>	<i>Mag</i>	<i>—Recoil—</i>		
						<i>SS</i>	<i>Brst</i>	<i>Rng</i>
MP5A2	5	2	Nil	4	15/30	2	6	30







## MP-5K

**MP-5K (Submachinegun):** The MP-5K (*Kurz* or short) is an extremely compact version of the MP-5 submachinegun. It has a vertical front grip and no stock.

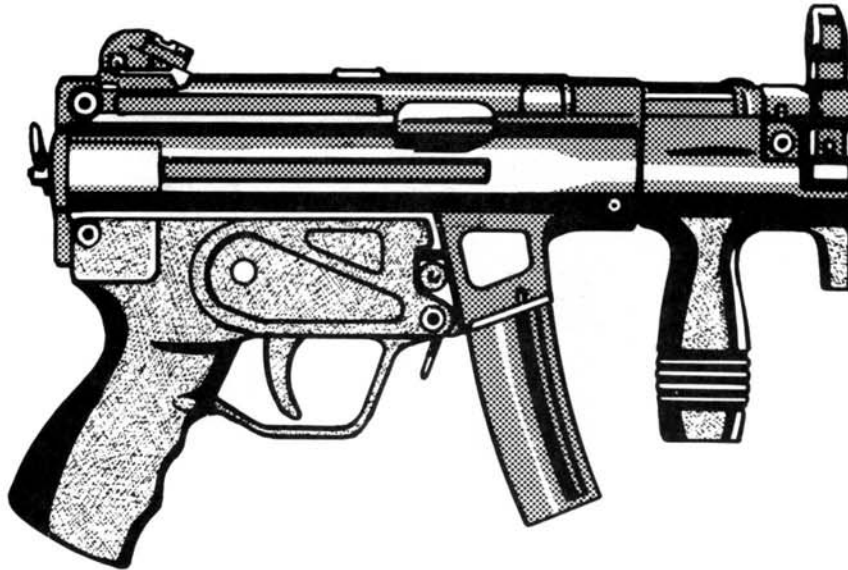
*Ammo:* 9mm P

*Wt:* 2.3 kg

*Mag:* 15 box or 30 box

*Price:* \$450 (S/R)

Weapon	ROF	Dam	Pen	Blk	Mag	—Recoil—		
						SS	Brst	Rng
MP-5K	5	2	Nil	3	15/30	3	8	12



## MP-5SD3

**MP-5SD3 (Submachinegun):** A version of the MP-5, manufactured with an integral suppressor and a collapsible shoulder stock.

*Ammo:* 9mm P

*Wt:* 2.5 kg

*Mag:* 15 box or 30 box

*Price:* \$1200 (S/R)

Weapon	ROF	Dam	Pen	Blk	Mag	—Recoil—		
						SS	Brst	Rng
MP-5SD3	5	2	Nil	3/4	15/30	2	5	30





## MP18-1

**MP18-1 (Submachinegun):** This is a German submachinegun developed in the 1930s to use the 32-round drum from the artillery Luger. It is extremely rare.

*Ammo:* 9mm P

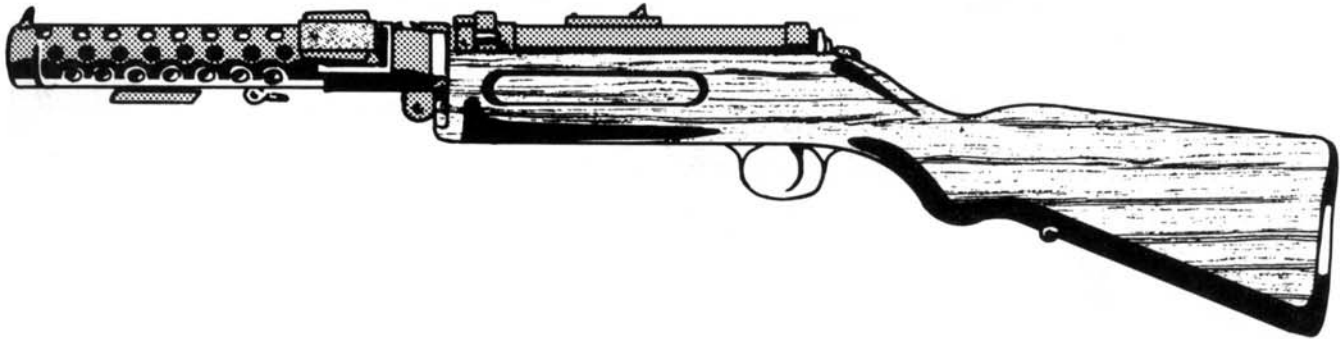
*Wt:* 5.3 kg

*Mag:* 32 drum

*Price:* \$900 (—/—)

—Recoil—

<i>Weapon</i>	<i>ROF</i>	<i>Dam</i>	<i>Pen</i>	<i>Blk</i>	<i>Mag</i>	<i>SS</i>	<i>Brst</i>	<i>Rng</i>
MP18-1	5	2	Nil	4	32	1	3	30



## MP-40

**MP-40 (Submachinegun):** A German WWII submachinegun, called the Schmeisser by the Germans or the burp-gun by the Americans.

*Ammo:* 9mm P

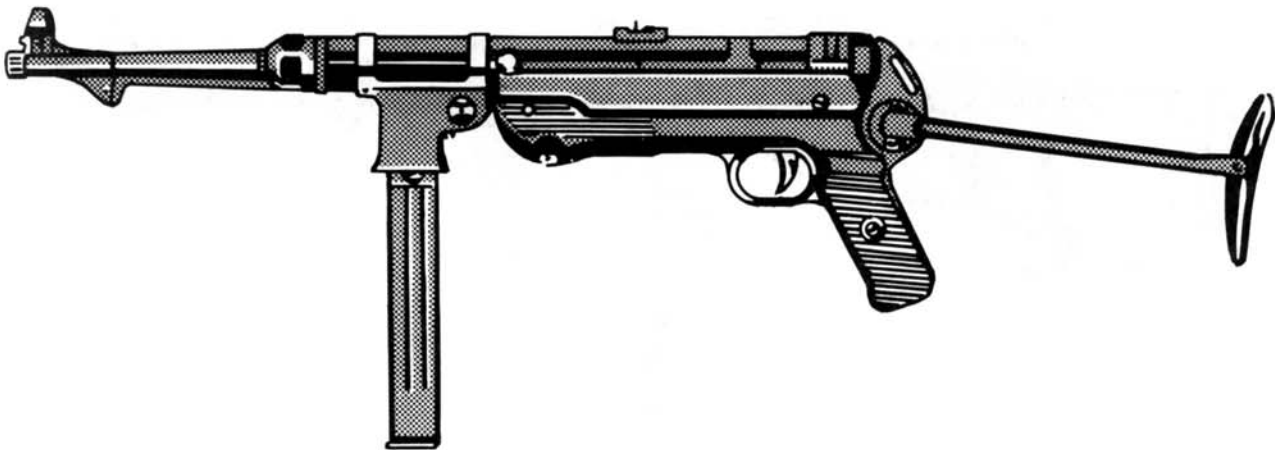
*Wt:* 4.7 kg

*Mag:* 32 box

*Price:* \$1200 (R/R)

—Recoil—

<i>Weapon</i>	<i>ROF</i>	<i>Dam</i>	<i>Pen</i>	<i>Blk</i>	<i>Mag</i>	<i>SS</i>	<i>Brst</i>	<i>Rng</i>
MP-40	5	2	Nil	3/4	32	1	4	30





## MPI-69

**MPI-69 (Submachinegun):** This Austrian submachinegun is unique in that the front sling swivel is also the weapon's cocking knob.

*Ammo:* 9mm P

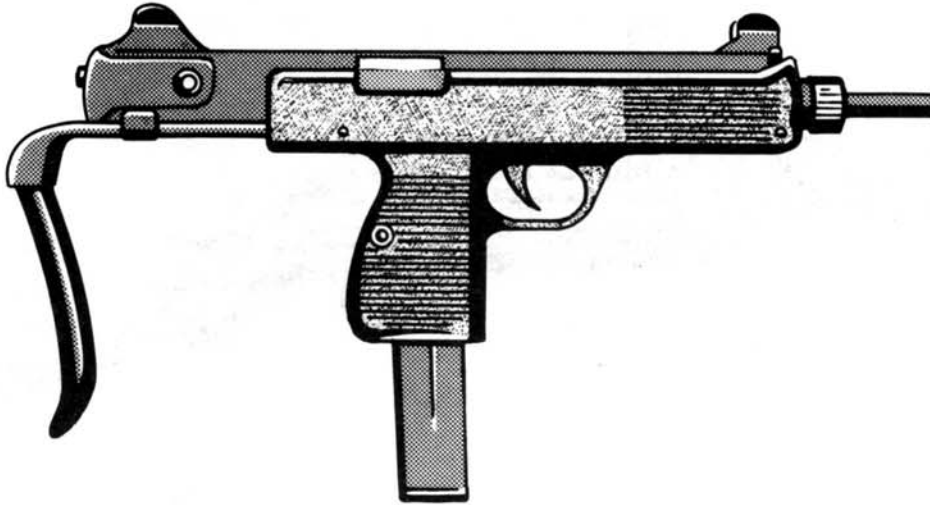
*Wt:* 3.6 kg

*Mag:* 25 box or 32 box

*Price:* \$450 (S/R)

—Recoil—

<i>Weapon</i>	<i>ROF</i>	<i>Dam</i>	<i>Pen</i>	<i>Blk</i>	<i>Mag</i>	<i>SS</i>	<i>Brst</i>	<i>Rng</i>
MPI-69	5	2	Nil	2/3	25/32	2	5	30



## OSS M3

**OSS M3 (Submachinegun):** This weapon was developed by the American OSS (the Organization of Strategic Services, forerunner of the CIA) for use by operatives during WWII. It is essentially an M3 grease gun SMG with an integral suppressor.

*Ammo:* .45 ACP

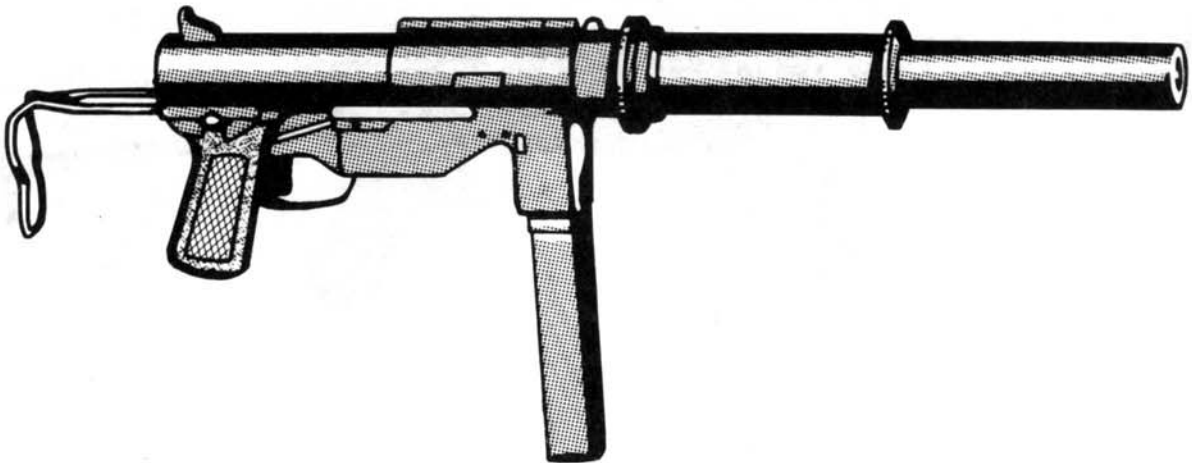
*Wt:* 5.3 kg

*Mag:* 30 box

*Price:* \$800 (R/—)

—Recoil—

<i>Weapon</i>	<i>ROF</i>	<i>Dam</i>	<i>Pen</i>	<i>Blk</i>	<i>Mag</i>	<i>SS</i>	<i>Brst</i>	<i>Rng</i>
OSS M3	5	2	Nil	4/5	30	1	3	20





## Owen Mk I

**Owen Mk I (Submachinegun):** The Owen was another Australian-built, WWII-vintage submachinegun, which was replaced by the F1A1. Its main distinguishing feature is a top-mounted magazine.

*Ammo:* 9mm P

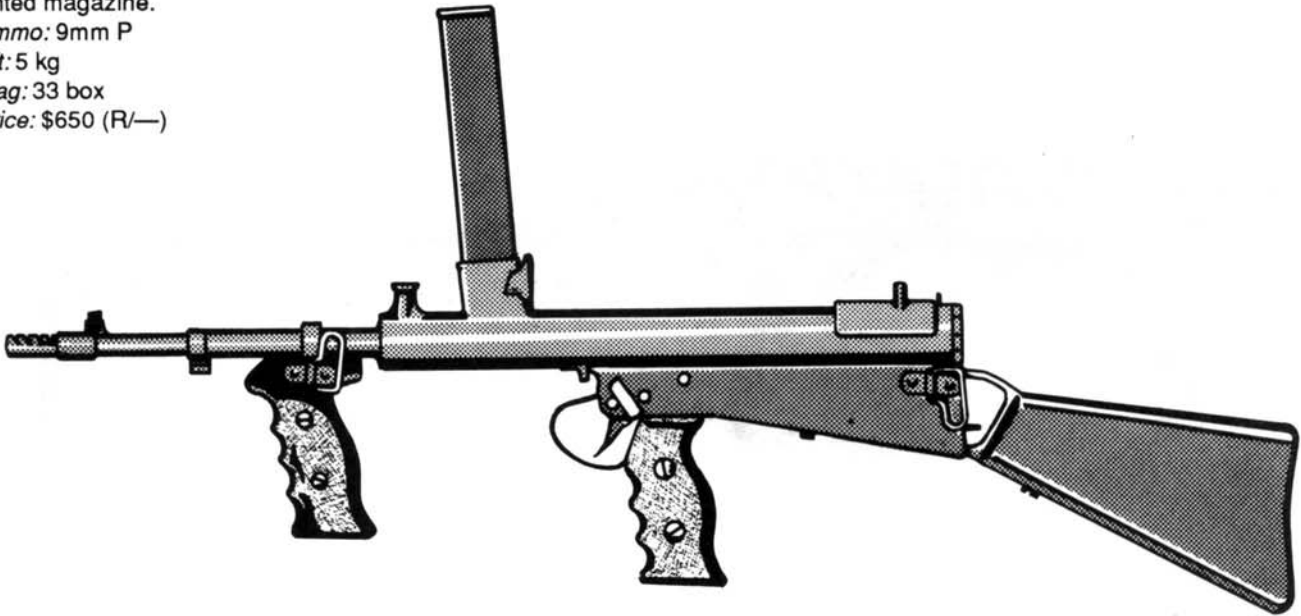
*Wt:* 5 kg

*Mag:* 33 box

*Price:* \$650 (R/—)

—Recoil—

<i>Weapon</i>	<i>ROF</i>	<i>Dam</i>	<i>Pen</i>	<i>Blk</i>	<i>Mag</i>	<i>SS</i>	<i>Brst</i>	<i>Rng</i>
Owen Mk I	5	2	Nil	4	33	1	3	30



## PM-9

**PM-9 (Submachinegun):** The PM-9 is a very odd-looking French submachinegun, using a unique flywheel action receiver.

*Ammo:* 9mm P

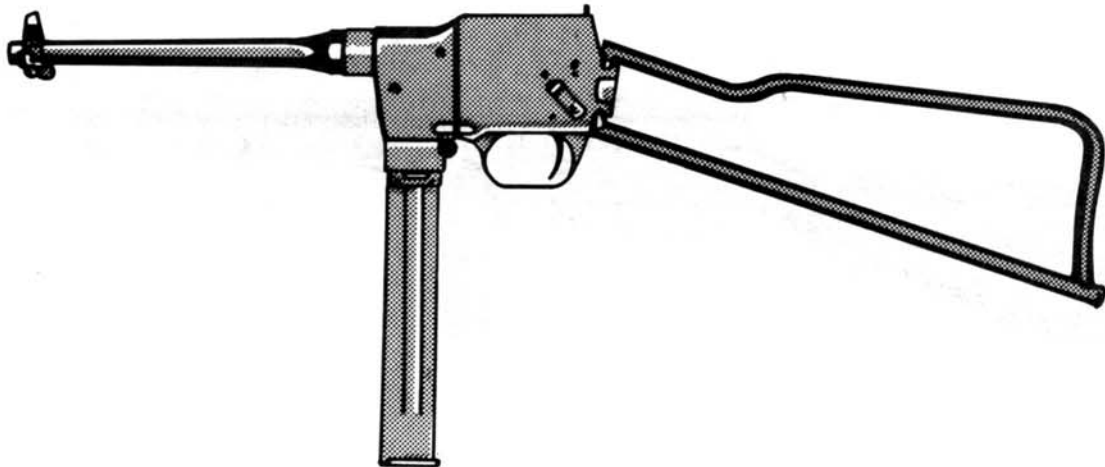
*Wt:* 3.2 kg

*Mag:* 32 box

*Price:* \$550 (S/R)

—Recoil—

<i>Weapon</i>	<i>ROF</i>	<i>Dam</i>	<i>Pen</i>	<i>Blk</i>	<i>Mag</i>	<i>SS</i>	<i>Brst</i>	<i>Rng</i>
PM-9	5	2	Nil	2/3	32	2	5	20





## PM-63

**PM-63 (Submachinegun):** This is a Polish submachinegun with a folding stock (which doubles as a handgrip when folded) and a progressive trigger.

*Ammo:* 9mm M

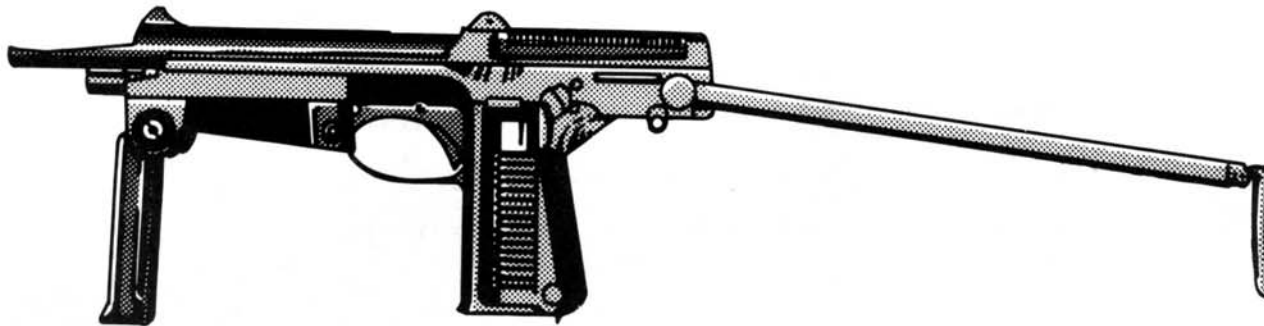
*Wt:* 1.8 kg

*Mag:* 15 box or 40 box

*Price:* \$350 (R/S)

—Recoil—

<i>Weapon</i>	<i>ROF</i>	<i>Dam</i>	<i>Pen</i>	<i>Blk</i>	<i>Mag</i>	<i>SS</i>	<i>Brst</i>	<i>Rng</i>
PM-63	5	1	Nil	1	15/40	3	8	12
stock	5	1	Nil	3	15/40	2	3	20



## PPSh-41

**PPSh-41 (Submachinegun):** A WWII-vintage Soviet submachinegun, still used by some nations.

*Ammo:* 7.62mm T

*Wt:* 5.3 kg

*Mag:* 35 box or 71 drum

*Price:* \$300 (—/S)

—Recoil—

<i>Weapon</i>	<i>ROF</i>	<i>Dam</i>	<i>Pen</i>	<i>Blk</i>	<i>Mag</i>	<i>SS</i>	<i>Brst</i>	<i>Rng</i>
PPSh-41	5	2	1-Nil	4	35/71	1	4	30





## PPSh-43

**PPSh-43 (Submachinegun):** A later version of the PPSH submachineguns, the PPSH-43 was produced in great numbers and distributed widely after WWII.

*Ammo:* 7.62mm T

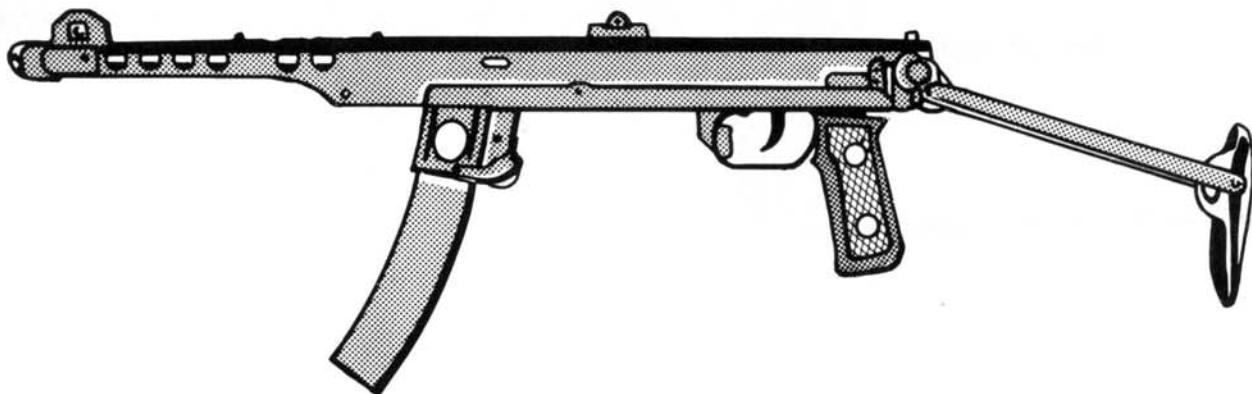
*Wt:* 3.9 kg

*Mag:* 32 box

*Price:* \$300 (R/C)

—Recoil—

<i>Weapon</i>	<i>ROF</i>	<i>Dam</i>	<i>Pen</i>	<i>Blk</i>	<i>Mag</i>	<i>SS</i>	<i>Brst</i>	<i>Rng</i>
PPSh-43	5	2	1-Nil	3/4	32	1	4	30



## Rexim F.V. Mk 4

**Rexim F.V. Mk 4 (Submachinegun):** A Swiss-built submachinegun intended for domestic use and for export. It is highly regarded, but uncommon.

*Ammo:* 9mm P

*Wt:* 4.7 kg

*Mag:* 32 box

*Price:* \$650 (S/—)

—Recoil—

<i>Weapon</i>	<i>ROF</i>	<i>Dam</i>	<i>Pen</i>	<i>Blk</i>	<i>Mag</i>	<i>SS</i>	<i>Brst</i>	<i>Rng</i>
Rexim F.V. Mk 4	5	2	Nil	3/4	32	2	4	30





## S&W M76

**S&W M76 (Submachinegun):** The S&W M76 is an American submachinegun produced for export and police use.

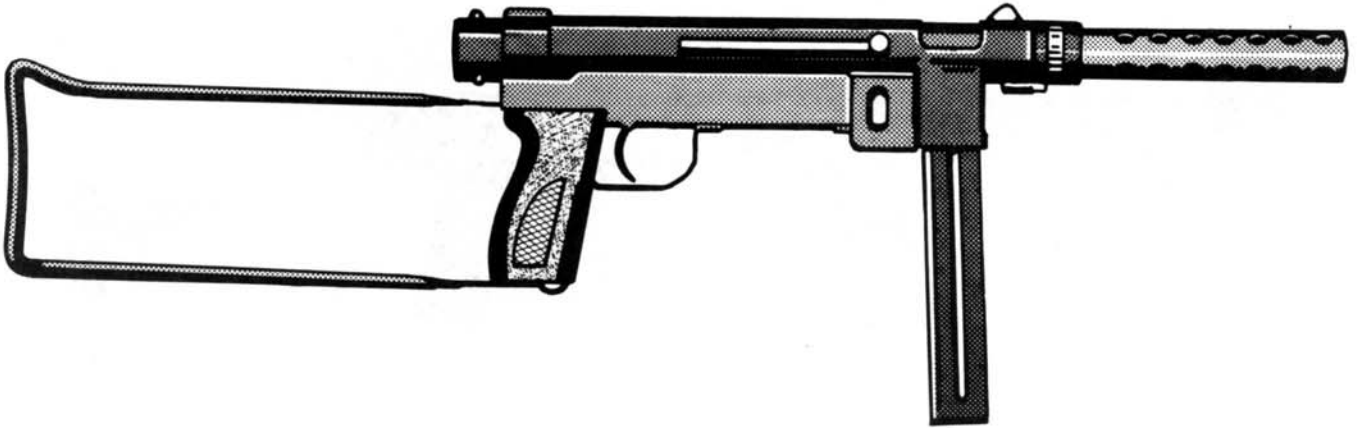
*Ammo:* 9mm P

*Wt:* 4 kg

*Mag:* 36 box

*Price:* \$800 (S/—)

Weapon	ROF	Dam	Pen	Blk	Mag	—Recoil—		
						SS	Brst	Rng
S&W M76	5	2	Nil	3/4	36	2	4	30



## Sidewinder SS-1

**Sidewinder SS-1 (Submachinegun):** A domestic American SMG intended for police and export use.

*Ammo:* 9mm P

*Wt:* 3.2 kg

*Mag:* 32 box or 45 box

*Price:* \$750 (S/—)

Weapon	ROF	Dam	Pen	Blk	Mag	—Recoil—		
						SS	Brst	Rng
SS-1	5	2	Nil	2/3	32/45	2	5	30





## Stechkin

**Stechkin (Submachinegun):** The Stechkin is a fully automatic pistol used by Warsaw Pact undercover agents because of its small size. The stock is a necessity for controlled fire.

*Ammo:* 9mm M

*Wt:* 1.8 kg

*Mag:* 20 box

*Price:* \$750 (R/S)

Weapon	ROF	Dam	Pen	Blk	Mag	—Recoil—		
						SS	Brst	Rng
Stechkin	5	1	Nil	1	20	5	13	12
stock	5	1	Nil	3	20	3	8	20



## Sten Mk II

**Sten Mk II (Submachinegun):** The Sten is one of the most common submachineguns in the world, having been issued in large numbers during WWII. The British-built Sten was designed to be simple and easy to make, and thousands have been turned out.

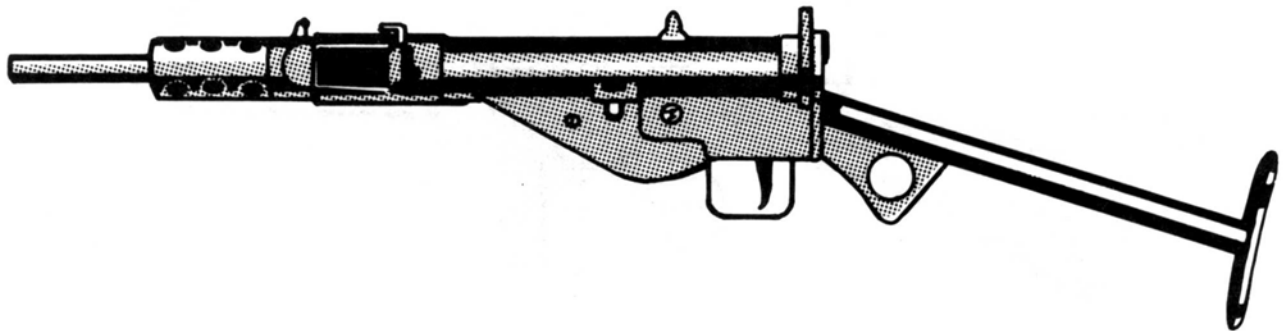
*Ammo:* 9mm P

*Wt:* 3.4 kg

*Mag:* 32 box

*Price:* \$450 (C/S)

Weapon	ROF	Dam	Pen	Blk	Mag	—Recoil—		
						SS	Brst	Rng
Sten Mk II	5	2	Nil	4	32	2	5	30







## Sten Mk IIS

**Sten Mk IIS (Submachinegun):** This is a version of the Sten gun fitted with an integral suppressor.

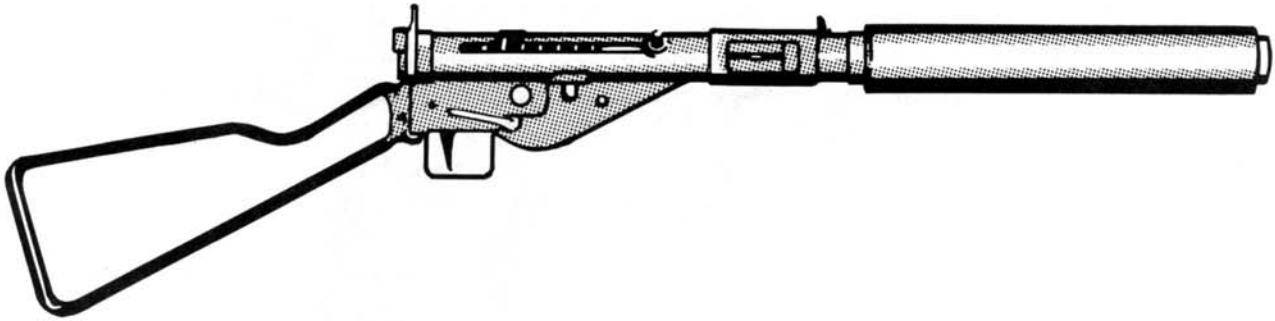
*Ammo:* 9mm P

*Wt:* 3.4 kg

*Mag:* 32 box

*Price:* \$750 (S/—)

Weapon	ROF	Dam	Pen	Blk	Mag	—Recoil—		
						SS	Brst	Rng
Sten Mk IIS	5	2	Nil	4	32	2	5	30



## Thompson M1

**Thompson M1 (Submachinegun):** This is the improved WWII model of the famous Tommy gun.

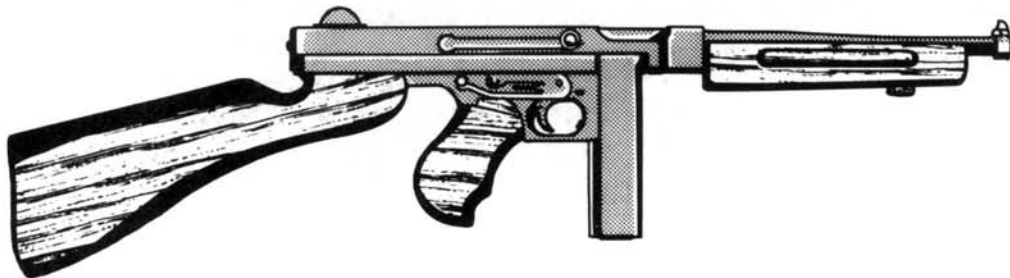
*Ammo:* .45 ACP

*Wt:* 5.5 kg

*Mag:* 20 box or 30 box

*Price:* \$1000 (S/R)

Weapon	ROF	Dam	Pen	Blk	Mag	—Recoil—		
						SS	Brst	Rng
Thompson M1	5	2	Nil	4	20/30	1	4	30





## Thompson M1928

**Thompson M1928 (Submachinegun):** This is the gun that made the 1920s roar, and came to symbolize the American gangster of the era. It was used in practically all American gangster movies and came to be nicknamed the Tommy gun.

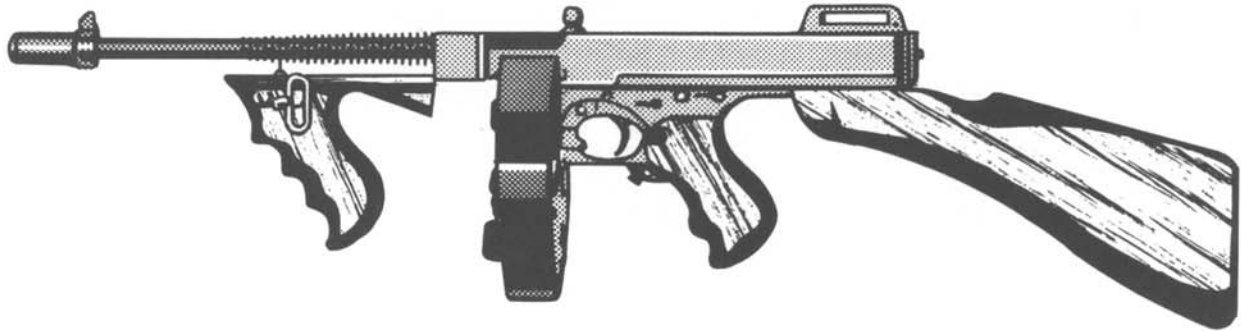
*Ammo:* .45 ACP

*Wt:* 7 kg

*Mag:* 20 box or 100 drum

*Price:* \$1500 (R/—)

Weapon	ROF	Dam	Pen	Blk	Mag	—Recoil—		
						SS	Brst	Rng
M1928	5	2	Nil	5	20/100	1	3	30



## Type 64

**Type 64 (Submachinegun):** This weapon is a Chinese-built submachinegun with an integral suppressor. Although regular 7.62mm T rounds will function in the weapon, the suppressor does not work well unless special subsonic rounds are used (7.62mm T subsonic).

*Ammo:* 7.62mm T, 7.62mm T subsonic

*Wt:* 4 kg

*Mag:* 40 box

*Price:* \$750 (—/S)

Weapon	ROF	Dam	Pen	Blk	Mag	—Recoil—		
						SS	Brst	Rng
Type 64	10	2	1-Nil	3/4	40	2	10	30
subsonic	10	1	1-Nil	3/4	40	1	4	20





## Uzi

**Uzi (Submachinegun):** The Israeli-designed Uzi is the most common SMG. It is used by armies and police agencies worldwide, including the US Secret Service and US Federal Marshal Service.

*Ammo:* 9mm P

*Wt:* 4 kg

*Mag:* 25 box or 32 box

*Price:* \$500 (V/C)

Weapon	ROF	Dam	Pen	Blk	Mag	—Recoil—		
						SS	Brst	Rng
Uzi	5	2	Nil	2/3	25/32	2	5	30



## VP-70

**VP-70 (Submachinegun):** Manufactured by the German firm of Heckler and Koch, the VP-70 is a large-capacity, semiautomatic pistol with a singular feature—when the stock is attached, an interrupter is released and it is capable of fully automatic fire.

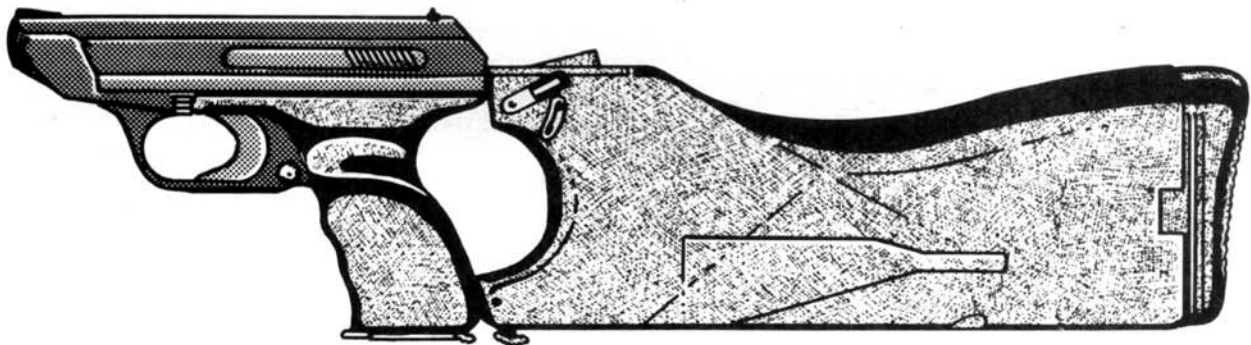
*Ammo:* 9mm P

*Wt:* 1.1 kg, stock adds 0.5 kg

*Mag:* 18 box

*Price:* \$800 (S/R)

Weapon	ROF	Dam	Pen	Blk	Mag	—Recoil—		
						SS	Brst	Rng
VP-70	SA	2	Nil	1	18	6	—	12
stock	3	2	Nil	3	18	4	6	20





## Vz-24

**Vz-24 (Submachinegun):** The standard Czech submachinegun, mostly found with militia and internal security forces.

*Ammo:* 7.62mm T

*Wt:* 4 kg

*Mag:* 32 box

*Price:* \$300 (R/S)

Weapon	ROF	Dam	Pen	—Recoil—				
				Blk	Mag	SS	Brst	Rng
Vz-24	5	2	1-Nil	3	32	1	3	30



## Vz-61/62 Skorpion

**Vz-61/62 Skorpion (Submachinegun):** Commonly referred to as a machinepistol, the Skorpion is small enough to carry in a shoulder holster. Its short range and underpowered ammunition make it of limited combat value, but its ease of concealment has made it very popular with Warsaw Pact covert agents. It is also frequently carried by Czech airborne forces, particularly by officers.

*Ammo:* .32 ACP

*Wt:* 1.6 kg

*Mag:* 10 box or 20 box

*Price:* \$250 (R/S)

Weapon	ROF	Dam	Pen	—Recoil—				
				Blk	Mag	SS	Brst	Rng
Vz-61/62	5	1	Nil	1	10/20	3	7	4
stock	5	1	Nil	3	10/20	1	4	12





## .50 Hawken

**.50 Hawken (Sporting Rifle):** A black-powder, muzzle-loading rifle, the Hawken is one of those "nostalgia" weapons manufactured in reproduction during the 1970s and 1980s. Similar weapons can be found in the hands of primitive peoples throughout the world.

*Ammo:* .50 caliber (powder and ball)

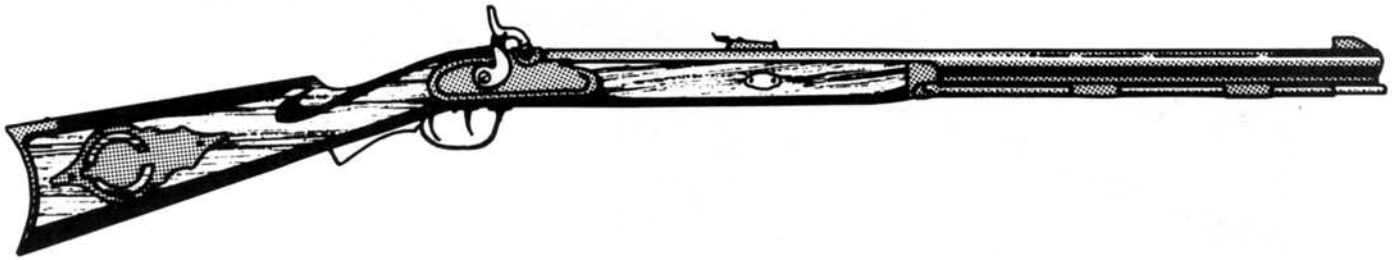
*Wt:* 4.1 kg

*Mag:* 1 individual (muzzleloader)

*Price:* \$300 (S/R)

—Recoil—

<i>Weapon</i>	<i>ROF</i>	<i>Dam</i>	<i>Pen</i>	<i>Blk</i>	<i>Mag</i>	<i>SS</i>	<i>Brst</i>	<i>Rng</i>
.50 Hawken	SS	3	1-Nil	6	1i	3	—	16



## .69-Caliber Musket

**.69-Caliber Musket (Sporting "Rifle"):** Technically, this is not a rifle because its barrel is not rifled, but there is no classification for smoothbore in the **Twilight: 2000** game system. Smoothbore muskets (the one illustrated is a British Brown Bess) were distributed throughout the world, seeing action with irregular forces as late as WWII, and were often found in use by primitive peoples. Smoothbore muskets were also reproduced as "nostalgia weapons" in the late 20th century.

*Ammo:* .69 caliber (powder and ball)

*Wt:* 5.1 kg

*Mag:* 1 individual (muzzleloader)

*Price:* \$200 (S/R)

—Recoil—

<i>Weapon</i>	<i>ROF</i>	<i>Dam</i>	<i>Pen</i>	<i>Blk</i>	<i>Mag</i>	<i>SS</i>	<i>Brst</i>	<i>Rng</i>
.69 caliber	SS	2	Nil	6	1i	1	—	10





## .460 Weatherby

**.460 Weatherby (Sporting Rifle):** This is a large-caliber hunting rifle designed for big game and is one of the most powerful civilian weapons made.

*Ammo:* .460 Weatherby

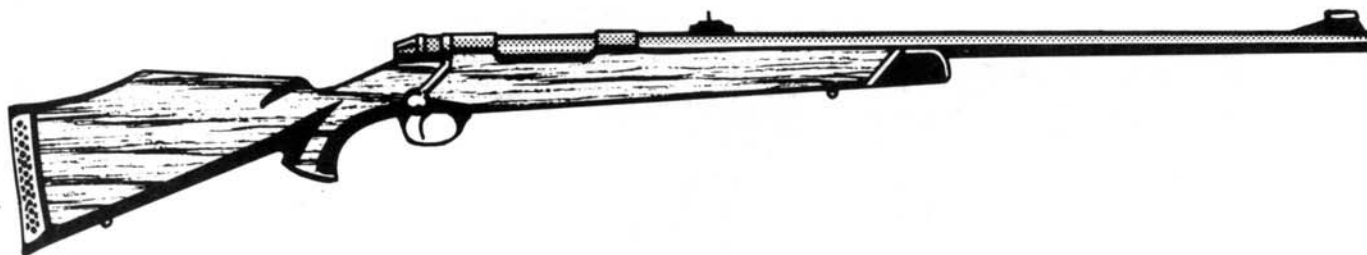
*Wt:* 5 kg

*Mag:* 5 individual

*Price:* \$750 (R/—)

—Recoil—

Weapon	ROF	Dam	Pen	Blk	Mag	SS	Brst	Rng
.460	BA	7	2-3-5	6	5i	8	—	75



## AK-47

**AK-47 (Assault Rifle):** The original Kalishnikov assault rifle manufactured from shortly after WWII until its replacement by the AKM and AK-74 in the 1970s. Thousands are still found worldwide.

*Ammo:* 7.62mm S

*Wt:* 5 kg

*Mag:* 30 box

*Price:* \$150 (C/V)

—Recoil—

Weapon	ROF	Dam	Pen	Blk	Mag	SS	Brst	Rng
AK-47	5	3	2-Nil	5	30	3	7	50





## AKM

**AKM (Assault Rifle):** The modern version of the ubiquitous AK-47. It is perhaps the most widely used military small arm in the world, and is very popular despite its underpowered and unstable cartridge. Replaced in front-line service by the AK-74, many AKMs were rechambered to fire 5.45 Bloc ammunition (designated AKMR for AKM rechambered). Thus, true AKMs are mostly found in use by militia units.

*Ammo:* 7.62mm S

*Wt:* 4 kg

*Mag:* 30 box

*Price:* \$300 (C/V)

Weapon	ROF	Dam	Pen	Blk	Mag	—Recoil—		
						SS	Brst	Rng
AKM	5	3	2-Nil	5	30	3	8	50



## AKMS

**AKMS (Assault Rifle):** This is a folding-stock version of the AKM assault rifle. It is favored by paratroopers and heliborne troops.

*Ammo:* 7.62mm S

*Wt:* 4 kg

*Mag:* 30 box

*Price:* \$325 (S/C)

Weapon	ROF	Dam	Pen	Blk	Mag	—Recoil—		
						SS	Brst	Rng
AKMS	5	3	2-Nil	4/5	30	2	5	50





## AKMR

**AKMR (Assault Rifle):** As the AK-74 supplanted the AKM in service, large numbers of AKMs were rechambered to fire the AK-74's 5.45 cartridge to enable standardization of supply without discarding mountains of AKMs. Widely used in Eastern Bloc military units alongside the AK-74.

*Ammo:* 5.45mm B

*Wt:* 4 kg

*Mag:* 30 box

*Price:* \$300 (C/V)

Weapon	ROF	Dam	Pen	Blk	Mag	—Recoil—		
						SS	Brst	Rng
AKMR	5	3	1-Nil	5	30	3	7	45



## AK-74

**AK-74 (Assault Rifle):** The standard combat rifle of the Eastern Bloc forces.

*Ammo:* 5.45mm B

*Wt:* 4 kg

*Mag:* 30 box

*Price:* \$300 (C/C)

Weapon	ROF	Dam	Pen	Blk	Mag	—Recoil—		
						SS	Brst	Rng
AK-74	5	3	1-Nil	5	30	3	7	50







## Armington Laser Carbine Model 2

**ALC-2 (Laser):** The ALC-2 (Armington Laser Carbine Model 2) is extremely rare. Developed by Armington Laboratories as a testbed for a laser carbine, the ALC never entered full production, although an unknown number of prototypes (each essentially hand-made) were produced. The carbine incorporates a liquid-nitrogen cooling system (the N<sub>2</sub> bottle is plainly seen over the action) which vents itself after each shot, producing a tendril of "steam" that can be disconcerting to the uninitiated. The carbine is connected by a power cable to a rechargeable backpack filled with batteries and a capacitor which requires 30 seconds to recharge after a shot (leading to the weapon's nickname, "Blue Moon," since

that was how often it could be fired—"once in a blue moon"). A pair of LEDs on the left side indicate the weapon's status (red for charging, green for charged). A discharged backpack requires six hours to recharge.

**Ammo:** —

**Wt:** 26 kg (*Carbine Wt:* 5 kg *Backpack Wt:* 21 kg)

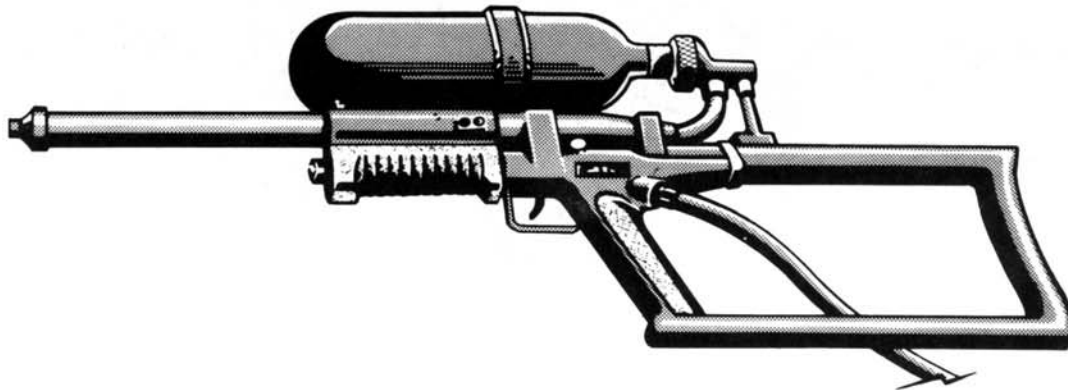
**Mag:** A backpack is good for 12 shots per charge

**Price:** \$12,000 (—/—)

Weapon	ROF	Dam	Pen	Blk	Mag	—Recoil—		
						SS	Brst	Rng
ALC-2	1*	12	2	5	12**	—	—	60

\*One shot per 30-seconds.

\*\*Backpack is good for 12 shots; none are actually carried "in" weapon.



## AR-7 Explorer

**AR-7 Explorer (Sporting Rifle):** Inspired from a US Air Force survival rifle of similar design, the AR-7 Explorer is a .22-caliber semiautomatic rifle designed for use as an emergency hunting weapon by pilots, hikers, boaters, and so on. Very light and readily portable, the weapon disassembles into barrel, action, and stock. The barrel and action can be stored in the hollow stock, along with one magazine (the weapon will float in either state).

**Ammo:** .22 long rifle

**Wt:** 1.2 kg

**Mag:** 7 box

**Price:** \$100 (C/R)

Weapon	ROF	Dam	Pen	Blk	Mag	—Recoil—		
						SS	Brst	Rng
AR-7	SA	-1	Nil	4	7	3	—	50





## AR-10

**AR-10 (Battle Rifle):** A battle rifle manufactured by the renowned American arms firm of Armalite, the AR-10 was a contender (against the M14) for the replacement weapon for the M1.

*Ammo:* 7.62mm N

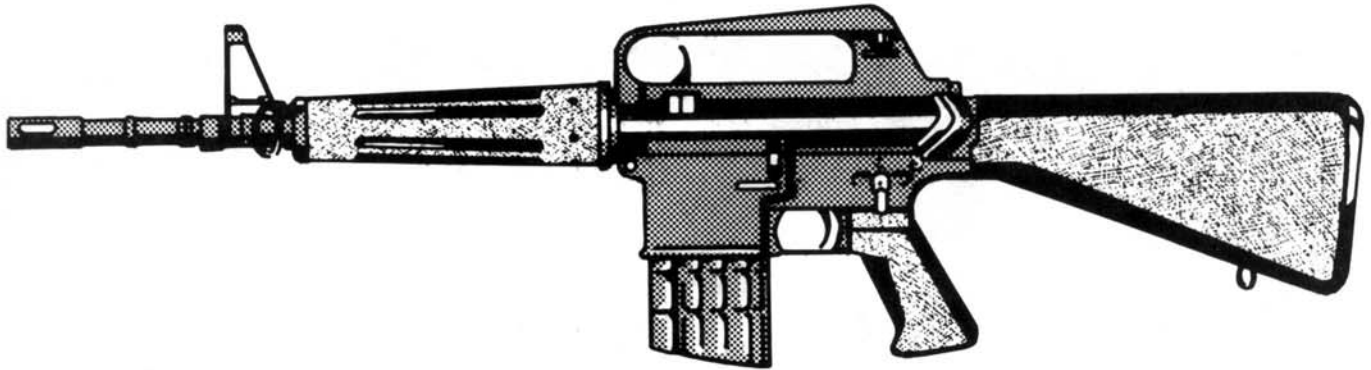
*Wt:* 4.8 kg

*Mag:* 20 box

*Price:* \$500 (S/—)

—Recoil—

<i>Weapon</i>	<i>ROF</i>	<i>Dam</i>	<i>Pen</i>	<i>Blk</i>	<i>Mag</i>	<i>SS</i>	<i>Brst</i>	<i>Rng</i>
AR-10	5	4	2-3-Nil	5	20	4	9	65



## AR-18

**AR-18 (Assault Rifle):** Designed by Armalite as a replacement for the M16 and rejected by the US Army, the AR-18 was sold on the international arms market.

*Ammo:* 5.56mm N

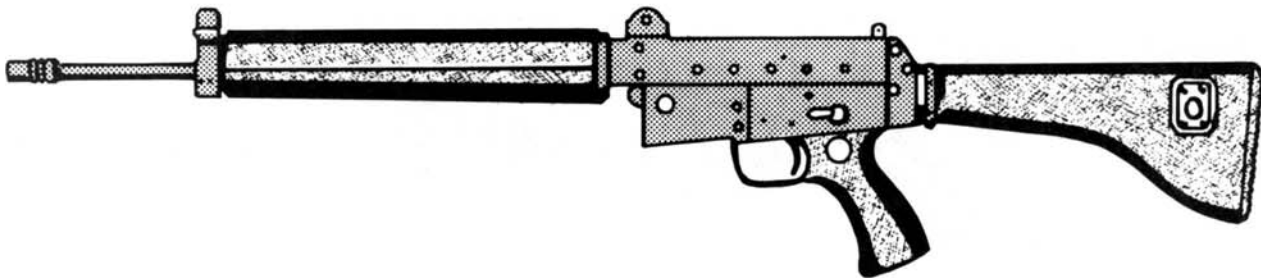
*Wt:* 3.6 kg

*Mag:* 20 box or 40 box

*Price:* \$450 (S/R)

—Recoil—

<i>Weapon</i>	<i>ROF</i>	<i>Dam</i>	<i>Pen</i>	<i>Blk</i>	<i>Mag</i>	<i>SS</i>	<i>Brst</i>	<i>Rng</i>
AR-18	5	3	1-Nil	4/5	20/40	3	9	55





## AR-70

**AR-70 (Assault Rifle):** This weapon is the standard assault rifle of the Italian military forces.

*Ammo:* 5.56mm N

*Wt:* 4 kg

*Mag:* 30 box

*Price:* \$500 (R/—)

Weapon	ROF	Dam	Pen	Blk	Mag	—Recoil—		
						SS	Brst	Rng
AR-70	5	3	1-Nil	5	30	3	8	55



## AR-180

**AR-180 (Assault Rifle):** The AR-180 is the semiautomatic civilian version of the AR-18 assault rifle.

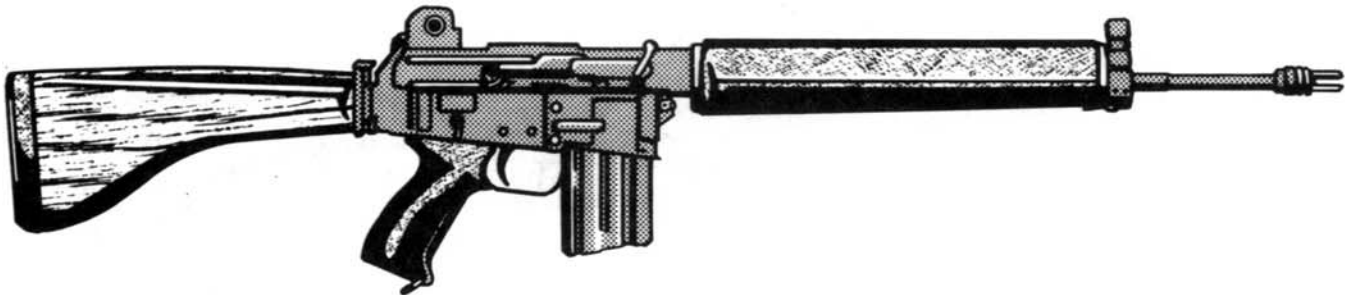
*Ammo:* 5.56mm N

*Wt:* 3.6 kg

*Mag:* 20 box or 40 box

*Price:* \$400 (S/R)

Weapon	ROF	Dam	Pen	Blk	Mag	—Recoil—		
						SS	Brst	Rng
AR-180	SA	3	1-Nil	4/5	20/40	3	—	55





## Arisaka Model 99

**Arisaka Model 99 (Sporting Rifle):** This weapon was the most advanced of several rifles used by the Japanese Army during WWII. But production was limited, and the rifle is not common.

*Ammo:* .303

*Wt:* 4 kg

*Mag:* 5 box

*Price:* \$450 (R/—)

—Recoil—

Weapon	ROF	Dam	Pen	Blk	Mag	SS	Brst	Rng
Arisaka 99	BA	4	2-3-Nil	6	5	4	—	55



## Barret M82 "Light Fifty"

**Barret M82 "Light Fifty" (Sniper Rifle):** A privately marketed semiautomatic .50 BMG-caliber sniper rifle, the M82 is rather difficult for a small person to control, but has a satisfyingly long range.

*Ammo:* .50 BMG

*Wt:* 17.5 kg

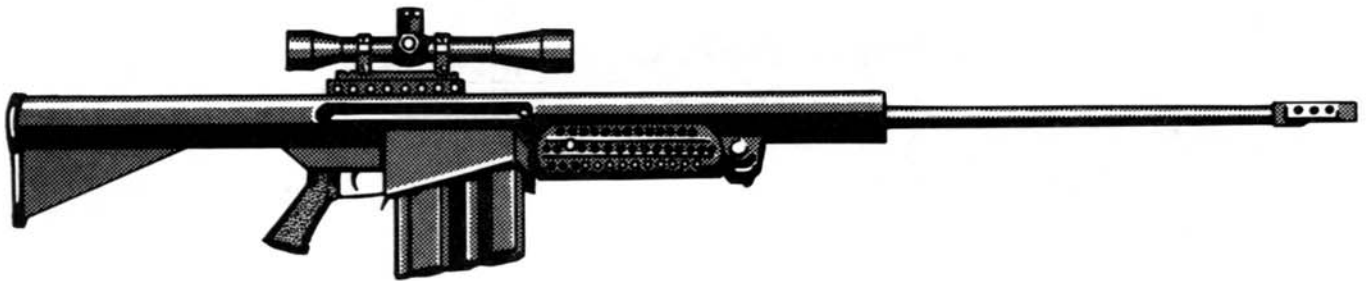
*Mag:* 5 box

*Price:* \$2200 (R/—)

—Recoil—

Weapon	ROF	Dam	Pen	Blk	Mag	SS	Brst	Rng
Barret M82	SA	9	2-2-3	4	5	8	—	50
bipod	SA	9	2-2-3	4	5	4	—	90

All sniper rifles come with a scope. With the scope, add 15 meters to the basic range for *aimed* shots. If the scope is later damaged or lost (or for quick shots) this modifier is not added.





## BM-59

**BM-59 (Battle Rifle):** This is an Italian version of the M1 Garand battle rifle rechambered to 7.62mm N. It was the standard military rifle in the Italian Army until replaced by the AR-70.

*Ammo:* 7.62mm N

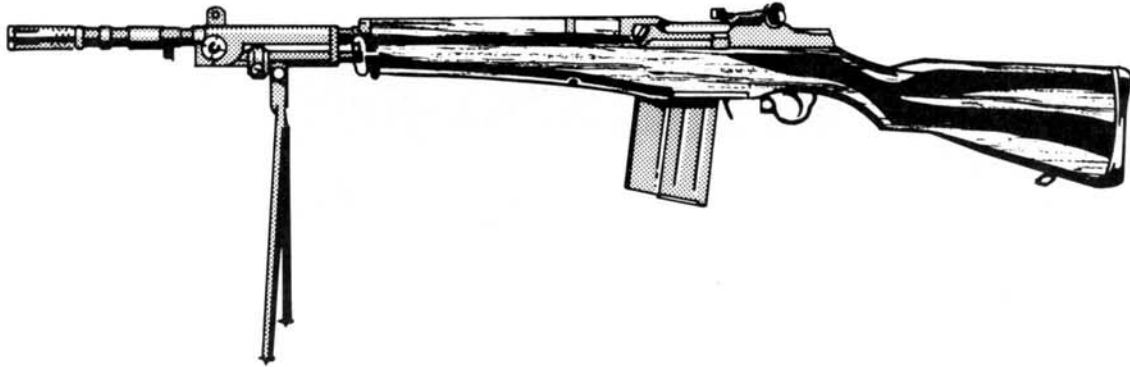
*Wt:* 5.3 kg

*Mag:* 20 box

*Price:* \$550 (R/R)

—Recoil—

<i>Weapon</i>	<i>ROF</i>	<i>Dam</i>	<i>Pen</i>	<i>Blk</i>	<i>Mag</i>	<i>SS</i>	<i>Brst</i>	<i>Rng</i>
BM-59	5	4	2-3-Nil	5	20	4	9	65



## C3 (Parker Hale)

**C3 (Parker Hale) (Sniper Rifle):** The standard Canadian sniper rifle is a well-made civilian hunting rifle adapted to military use and fitted with a telescopic sight. It is also known as the Parker-Hale in its civilian version.

*Ammo:* 7.62mm N

*Wt:* 4 kg

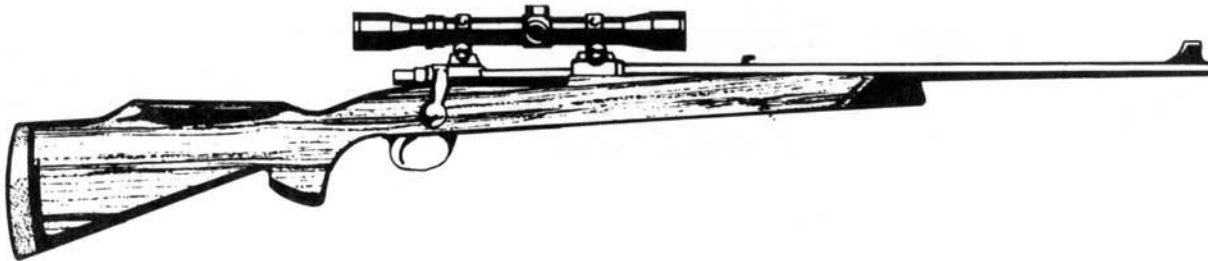
*Mag:* 3 individual

*Price:* \$400 (R/R)

—Recoil—

<i>Weapon</i>	<i>ROF</i>	<i>Dam</i>	<i>Pen</i>	<i>Blk</i>	<i>Mag</i>	<i>SS</i>	<i>Brst</i>	<i>Rng</i>
C3	BA	4	2-3-Nil	5	3i	5	—	75

All sniper rifles come with a scope. With the scope, add 15 meters to the basic range for *aimed* shots. If the scope is later damaged or lost (or for quick shots) this modifier is not added.





## De Lisle Carbine

**De Lisle Carbine (Rifle):** Developed for clandestine use during WWII, this weapon is designed to use the .45 ACP cartridge in a converted Enfield bolt-action receiver with an integral silencer.

*Ammo:* .45 ACP

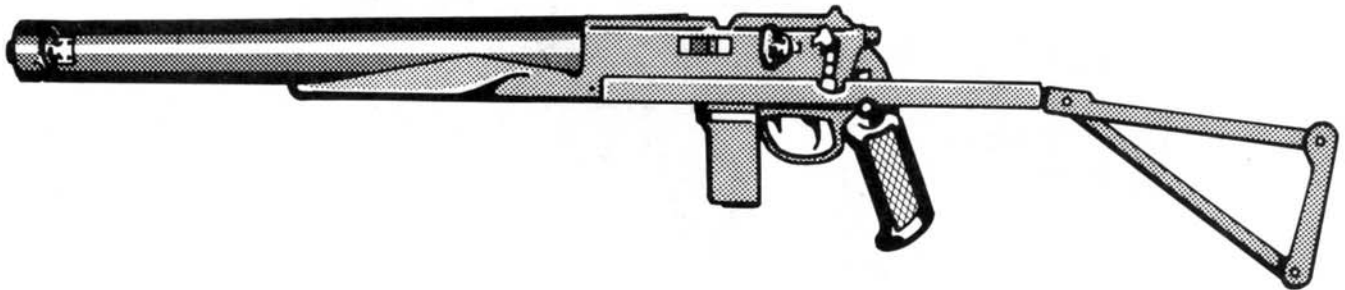
*Wt:* 3.5 kg

*Mag:* 10 box

*Price:* \$1000 (R/—)

—Recoil—

<i>Weapon</i>	<i>ROF</i>	<i>Dam</i>	<i>Pen</i>	<i>Blk</i>	<i>Mag</i>	<i>SS</i>	<i>Brst</i>	<i>Rng</i>
De Lisle	BA	2	1-Nil	4	10	3	—	45



## Enfield No. 4, Mk I

**Enfield No. 4, Mk I (Sporting Rifle):** A British WWI-era bolt-action rifle, now commonly found as a hunting rifle in many parts of the world. It is still used by irregular forces and paramilitary police organizations.

*Ammo:* .303

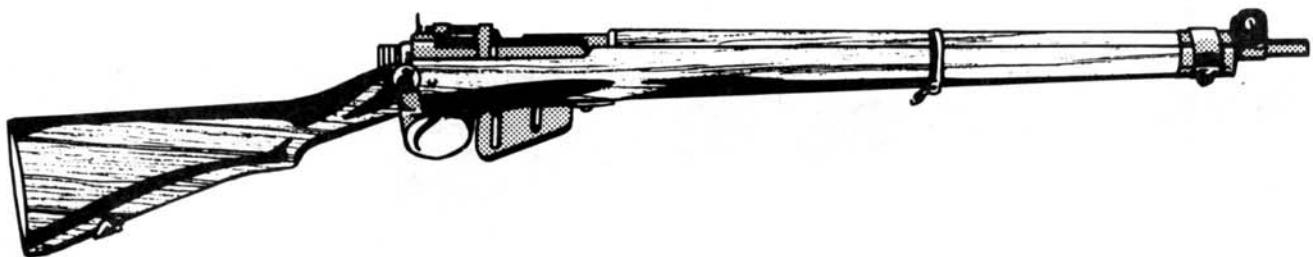
*Wt:* 4.6 kg

*Mag:* 10 box

*Price:* \$300 (C/S)

—Recoil—

<i>Weapon</i>	<i>ROF</i>	<i>Dam</i>	<i>Pen</i>	<i>Blk</i>	<i>Mag</i>	<i>SS</i>	<i>Brst</i>	<i>Rng</i>
Enfield 4, Mk I	BA	4	2-3-Nil	6	10	4	—	55





## FA-MAS

**FA-MAS (Assault Rifle):** The standard French military rifle, the FA-MAS is rare outside of French service. It is a bullpup-configuration weapon (which means the action is placed behind the firing hand in the normally empty stock). Bullpup rifles can have a shorter overall length without the necessity for a shorter barrel.

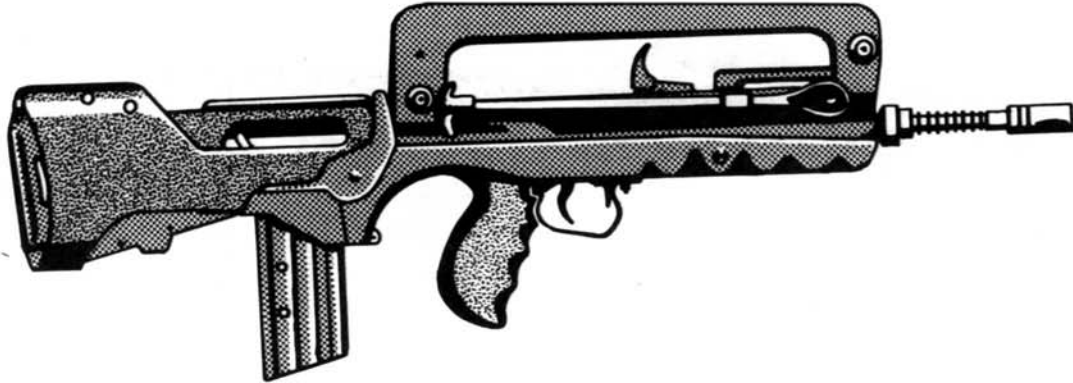
*Ammo:* 5.56mm N

*Wt:* 4 kg

*Mag:* 25 box

*Price:* \$500 (R/—)

Weapon	ROF	Dam	Pen	Blk	Mag	—Recoil—		
						SS	Brst	Rng
FA-MAS	5	3	1-Nil	4	25	3	8	50



## FG-42

**FG-42 (Assault Rifle):** Developed in WWII for use by German paratroops, this weapon was one of the earliest assault rifles. It served as the basis for many modern designs.

*Ammo:* 8mm

*Wt:* 5 kg

*Mag:* 20 box

*Price:* \$750 (R/—)

Weapon	ROF	Dam	Pen	Blk	Mag	—Recoil—		
						SS	Brst	Rng
FG-42	5	4	2-3-Nil	5	20	4	9	65
bipod	5	4	2-3-Nil	5	20	2	5	75





## FN-CAL

**FN-CAL (Assault Rifle):** The CAL (*Carabine Automatique Legere* or light automatic carbine) was designed as a possible replacement for the FN-FAL. It can be fitted with a fixed stock (bulk 5) or a folding stock (bulk 4/5).

*Ammo:* 5.56mm N

*Wt:* 3.6 kg

*Mag:* 20 box or 30 box

*Price:* \$500 (S/R)

—Recoil—

<i>Weapon</i>	<i>ROF</i>	<i>Dam</i>	<i>Pen</i>	<i>Blk</i>	<i>Mag</i>	<i>SS</i>	<i>Brst</i>	<i>Rng</i>
FN-CAL	3	3	1-Nil	4/5	20/30	3	5	55



## FN-FAL

**FN-FAL (Battle Rifle):** A Belgian rifle manufactured for local service and for export, the FAL was a very popular weapon and came into widespread use throughout the world.

*Ammo:* 7.62mm N

*Wt:* 5 kg

*Mag:* 20 box

*Price:* \$600 (S/R)

—Recoil—

<i>Weapon</i>	<i>ROF</i>	<i>Dam</i>	<i>Pen</i>	<i>Blk</i>	<i>Mag</i>	<i>SS</i>	<i>Brst</i>	<i>Rng</i>
FN-FAL	5	4	2-3-Nil	5	20	4	9	65







## FN-FNC

**FN-FNC (Assault Rifle):** This is the 5.56mm N assault rifle version of the famed FN-FAL battle rifle.

*Ammo:* 5.56mm N

*Wt:* 4 kg

*Mag:* 30 box

*Price:* \$500 (C/S)

Weapon	ROF	Dam	Pen	Blk	Mag	—Recoil—		
						SS	Brst	Rng
FN-FNC	3	3	1-Nil	5	30	3	7	50



## FN-LAR/L1A1

**FN-LAR/L1A1 (Battle Rifle):** A Belgian rifle adopted as the standard rifle of the British Army, the LAR has been replaced in service by the L85. The primary differences between the FAL and the LAR are that the FAL has a full auto option, while the British FAL/L1A1 does not. The magazines are not interchangeable.

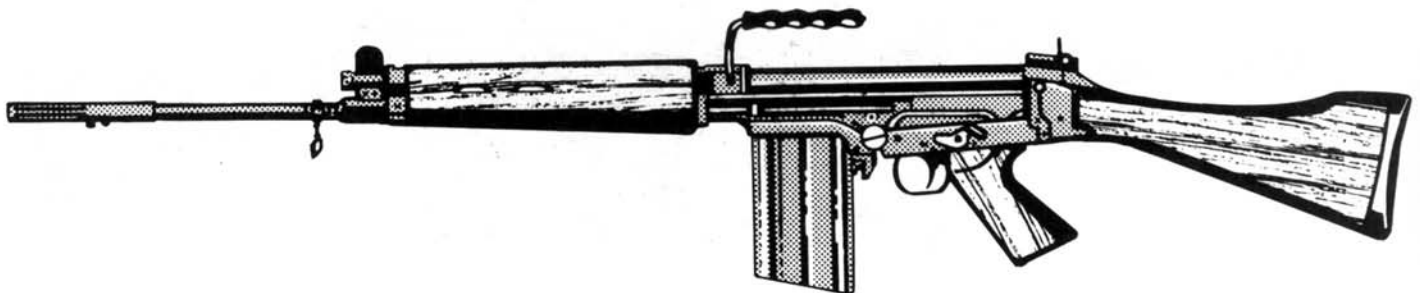
*Ammo:* 7.62mm N

*Wt:* 5 kg

*Mag:* 20 box

*Price:* \$600 (S/R)

Weapon	ROF	Dam	Pen	Blk	Mag	—Recoil—		
						SS	Brst	Rng
FN-LAR/L1A1	SA	4	2-3-Nil	5	20	4	—	65





## FR-F1

**FR-F1 (Sniper Rifle):** The French military sniper rifle, rare outside of French service.

*Ammo:* 7.5mm MAS

*Wt:* 5.7 kg

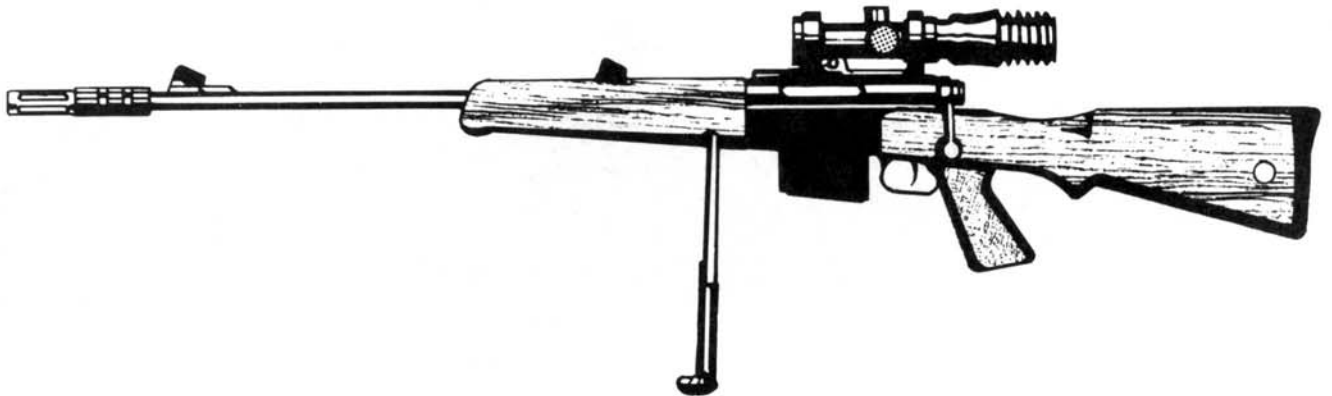
*Mag:* 10 box

*Price:* \$900 (R/—)

—Recoil—

Weapon	ROF	Dam	Pen	Blk	Mag	SS	Brst	Rng
FR-F1	SA	4	2-Nil	6	10	3	—	75

All sniper rifles come with a scope. With the scope, add 15 meters to the basic range for *aimed* shots. If the scope is later damaged or lost (or for quick shots) this modifier is not added.



## G3

**G3 (Battle Rifle):** The standard German assault rifle until replaced by the G11, the G3 was still widely used by territorial and internal security troops and is now back in service with German troops. It is quite popular in Latin America, possibly since it is taken from an earlier Spanish design.

*Ammo:* 7.62mm N

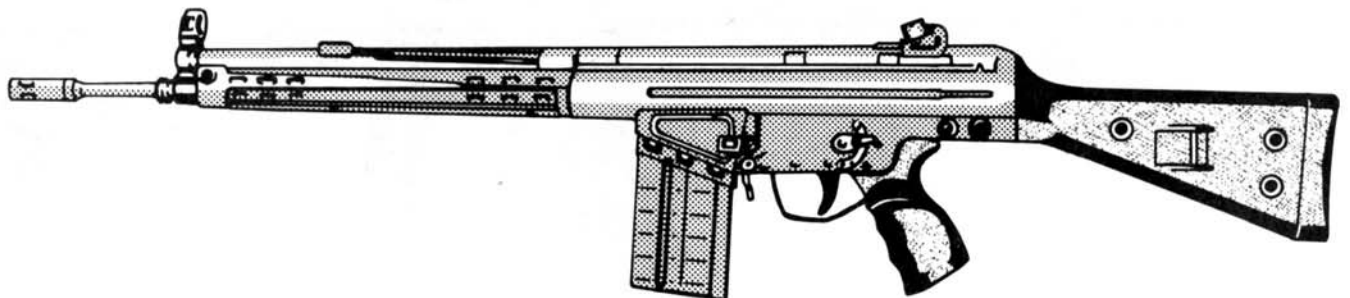
*Wt:* 5 kg

*Mag:* 20 box

*Price:* \$500 (C/R)

—Recoil—

Weapon	ROF	Dam	Pen	Blk	Mag	SS	Brst	Rng
G3	5	4	2-3-Nil	5	20	4	9	65





## G11

**G11 (Assault Rifle):** A weapon of radical design and great effectiveness, the G11 replaced the G3 as the standard assault rifle and the Uzi as the standard submachinegun of the German Army. It is a bullpup-configuration weapon.

It differs from other combat rifles in that it fires caseless 4.7mm bullets. The compact nature of the weapon and low recoil of its round make it as handy as a submachinegun (even though it is a rifle).

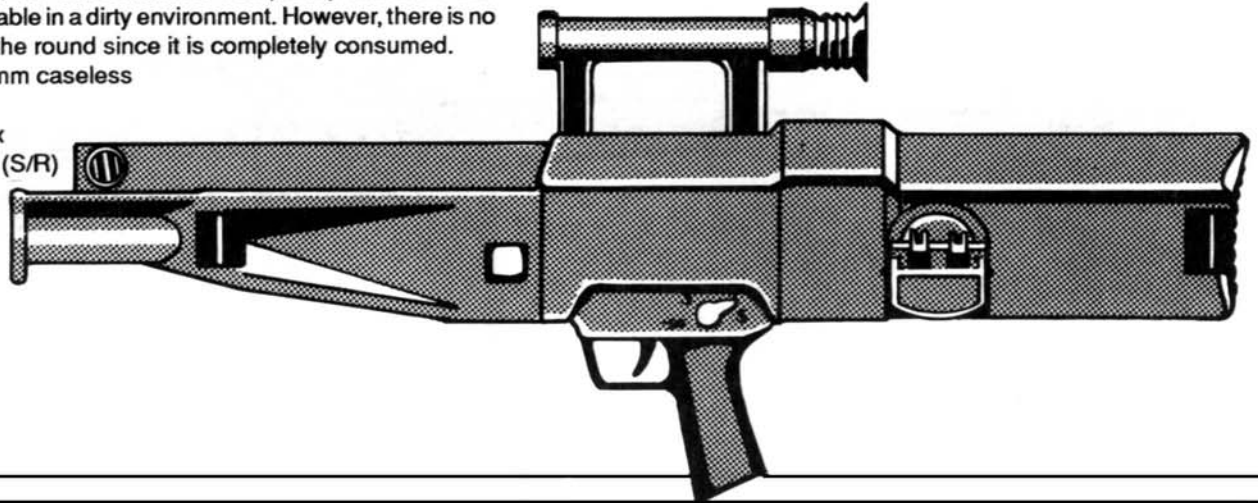
Its caseless ammunition is extremely compact, allowing a large magazine capacity. Since there is no spent cartridge casing to eject, the rifle's action is completely enclosed and thus is very reliable in a dirty environment. However, there is no way to reload the round since it is completely consumed.

*Ammo:* 4.7mm caseless

*Wt:* 4.5 kg

*Mag:* 50 box

*Price:* \$400 (S/R)



—Recoil—

Weapon	ROF	Dam	Pen	Blk	Mag	SS	Brst	Rng
G11	3	3	1-Nil	4	50	2	3	55

## Galil ARM

**Galil ARM (Assault Rifle):** The Galil is an Israeli-built assault rifle, manufactured for domestic use and for export.

*Ammo:* 5.56mm N

*Wt:* 4.6 kg

*Mag:* 35 box or 50 box

*Price:* \$600 (S/S)



—Recoil—

Weapon	ROF	Dam	Pen	Blk	Mag	SS	Brst	Rng
Galil ARM	5	3	1-Nil	4/5	35/50	3	7	55



## H&H .600 Nitro

**H&H .600 Nitro (Sporting Rifle):** The word *Nitro* in the name of this big game rifle refers to that fact that it uses nitrocellulose (modern smokeless powder) instead of black powder—a necessary distinction at the time of the weapon's introduction in the late 19th century. The weapon is an old-model "double rifle," which means that it has two barrels side-by-side and breaks open like a double-barreled shotgun. The weapon and its cartridges (which are the size of cigars) are extremely rare.

*Ammo:* .600 Nitro

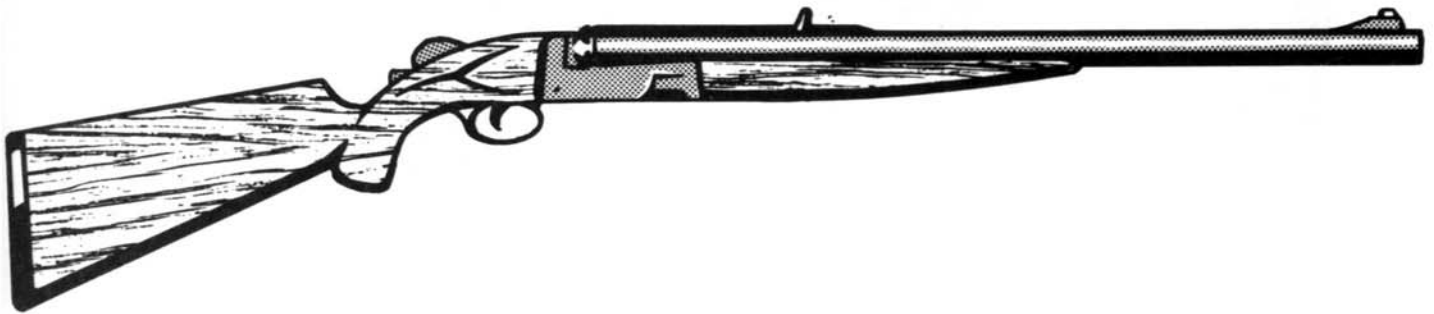
*Wt:* 7.9 kg

*Mag:* 2 individual

*Price:* \$1500 (—/—)

—Recoil—

<i>Weapon</i>	<i>ROF</i>	<i>Dam</i>	<i>Pen</i>	<i>Blk</i>	<i>Mag</i>	<i>SS</i>	<i>Brst</i>	<i>Rng</i>
.600 Nitro	—	7	2-4-6	5	2i	6	—	40



## HK 33A2

**HK 33A2 (Assault Rifle):** This weapon is the 5.56 N assault rifle version of the G3 battle rifle.

*Ammo:* 5.56mm N

*Wt:* 3.5 kg

*Mag:* 20 box or 40 box

*Price:* \$345 (S/R)

—Recoil—

<i>Weapon</i>	<i>ROF</i>	<i>Dam</i>	<i>Pen</i>	<i>Blk</i>	<i>Mag</i>	<i>SS</i>	<i>Brst</i>	<i>Rng</i>
HK 33A2	5	3	1-Nil	5	20/40	3	8	55





## KAR-98K

**KAR-98K (Battle Rifle):** The standard rifle of German troops in WWII.

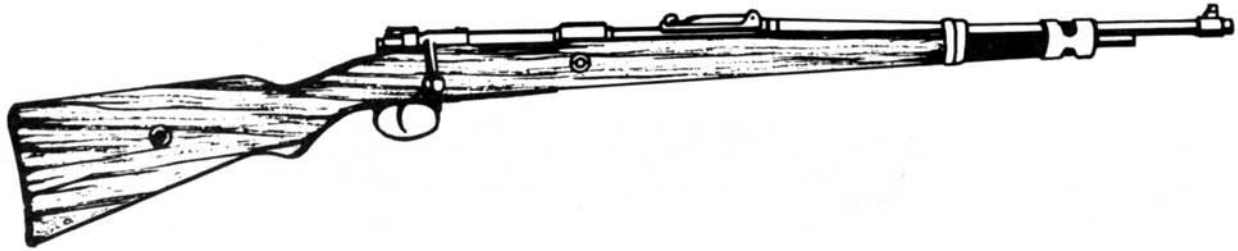
*Ammo:* 8mm M

*Wt:* 4 kg

*Mag:* 5 individual

*Price:* \$300 (S/R)

Weapon	ROF	Dam	Pen	Blk	Mag	—Recoil—		
						SS	Brst	Rng
KAR-98K	BA	4	2-3-Nil	5	5i	4	—	65



## L42A1

**L42A1 (Sniper Rifle):** The standard sniper rifle of the British Army is a progressive development of the bolt-action, short-magazine Lee Enfield (the WWII British service rifle), rechambered to fire more modern ammunition and fitted with a telescopic sight.

*Ammo:* 7.62mm N

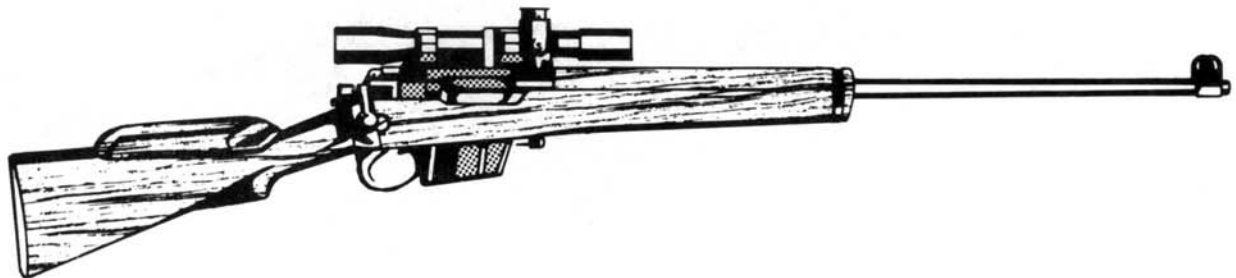
*Wt:* 4.8 kg

*Mag:* 5 box

*Price:* \$400 (R/R)

Weapon	ROF	Dam	Pen	Blk	Mag	—Recoil—		
						SS	Brst	Rng
L42A1	BA	4	2-3-Nil	5	5	4	—	75

All sniper rifles come with a scope. With the scope, add 15 meters to the basic range for *aimed* shots. If the scope is later damaged or lost (or for quick shots) this modifier is not added.



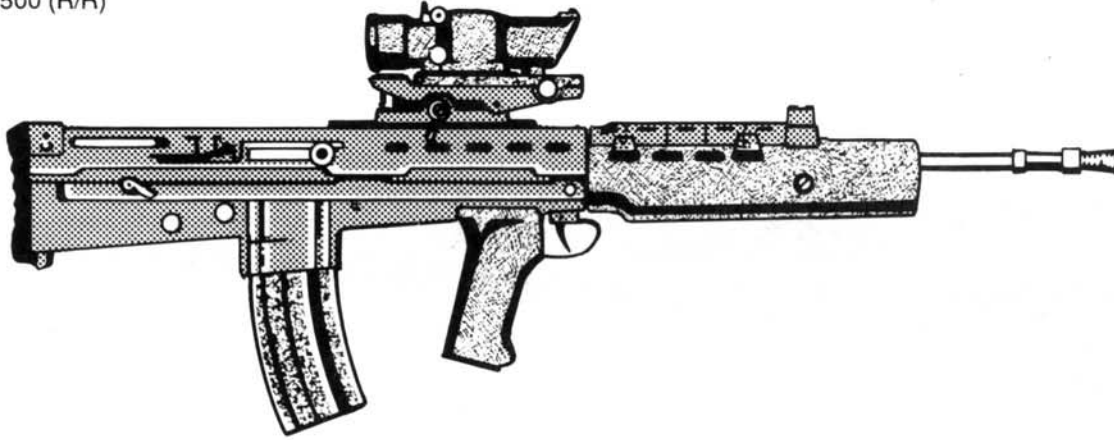


## L85 IWS

**L85 IWS (Assault Rifle):** The standard British combat rifle, replacing the FAL. Like the G11, the L85 is a bullpup-configuration rifle. It is rare outside of British service.

*Ammo:* 5.56mm N  
*Wt:* 4.2 kg  
*Mag:* 20 box  
*Price:* \$1500 (R/R)

Weapon	ROF	Dam	Pen	Blk	Mag	—Recoil—		
						SS	Brst	Rng
L85 IWS	5	3	1-Nil	4	20	3	7	50



## M1 Carbine

**M1 Carbine (Assault Rifle):** The M1 carbine was developed as a replacement for the M1911A1 pistol during WWII. The intention was to give troops who could not always carry the heavier M1 Garand a weapon more powerful than a pistol to defend themselves with. After the war, many entered the surplus market, and thousands were given away as a part of the government's civilian marksmanship program.

*Ammo:* .30 C  
*Wt:* 2.5 kg  
*Mag:* 15 box  
*Price:* \$600 (C/S)

Weapon	ROF	Dam	Pen	Blk	Mag	—Recoil—		
						SS	Brst	Rng
M1 Carbine SA	2	2	1-Nil	4	15	3	—	45





## M1 Garand

**M1 Garand (Battle Rifle):** The standard American rifle throughout most of WWII and the first semiautomatic battle rifle to see service. The M1 has an internal magazine into which eight-round clips are inserted from the top, with the bolt retracted. When the last round of a clip is fired, the action will eject the empty clip into the air with a loud ping, announcing to all who can hear it that the rifle is out of ammunition.

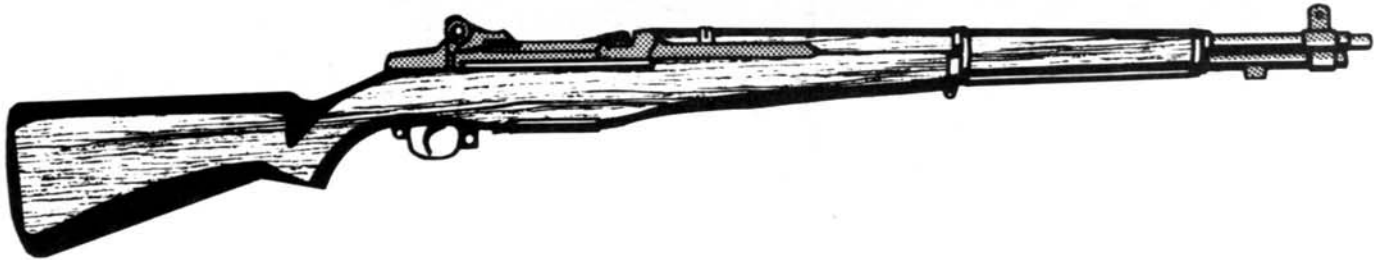
*Ammo:* .30-06

*Wt:* 4.3 kg

*Mag:* 8 box (really uses a stripper clip to reload)

*Price:* \$600 (C/S)

Weapon	ROF	Dam	Pen	Blk	Mag	—Recoil—		
						SS	Brst	Rng
M1 Garand	SA	4	2-3-Nil	5	8	3	—	70



## M2 Carbine

**M2 Carbine (Assault Rifle):** The M2 Carbine is the fully automatic version of the M1 Carbine. After the war, many of these were sold to police agencies and paramilitary organizations worldwide.

*Ammo:* .30 C

*Wt:* 3 kg

*Mag:* 15 box or 30 box

*Price:* \$800 (S/R)

Weapon	ROF	Dam	Pen	Blk	Mag	—Recoil—		
						SS	Brst	Rng
M2 Carbine	5	2	1-Nil	4	15/30	3	8	50





## M14

**M14 (Battle Rifle):** A post-WWII battle rifle, in service with the US Army from the 1950s to the 1960s, when it was replaced by the M16 series.

*Ammo:* 7.62mm N

*Wt:* 4.8 kg

*Mag:* 20 box

*Price:* \$400 (S/R)

Weapon	ROF	Dam	Pen	Blk	Mag	—Recoil—		
						SS	Brst	Rng
M14	5	4	2-3-Nil	6	20	4	9	70



## M16A1/AR-15

**M16A1 (Assault Rifle):** This is the older, Vietnam-era version of the M16 series. A semiautomatic civilian version is also produced, called the AR-15.

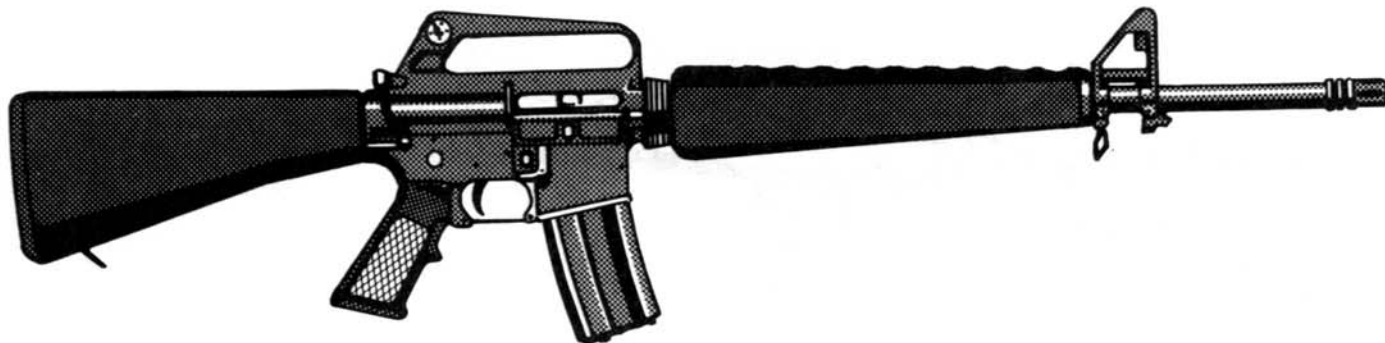
*Ammo:* 5.56mm N

*Wt:* 3.6 kg

*Mag:* 20 box or 30 box

*Price:* \$400 (C/S) (AR-15 Price: \$300 (C/S))

Weapon	ROF	Dam	Pen	Blk	Mag	—Recoil—		
						SS	Brst	Rng
M16A1	5	2	1-Nil	5	20/30	2	5	55
AR-15	SA	2	1-Nil	5	20/30	2	—	55







## M16A2

**M16A2 (Assault Rifle):** The standard combat rifle of the US and Canadian armies, the M16A2 (commonly called just the "M16") is in widespread use and is a popular and effective weapon.

*Ammo:* 5.56mm N

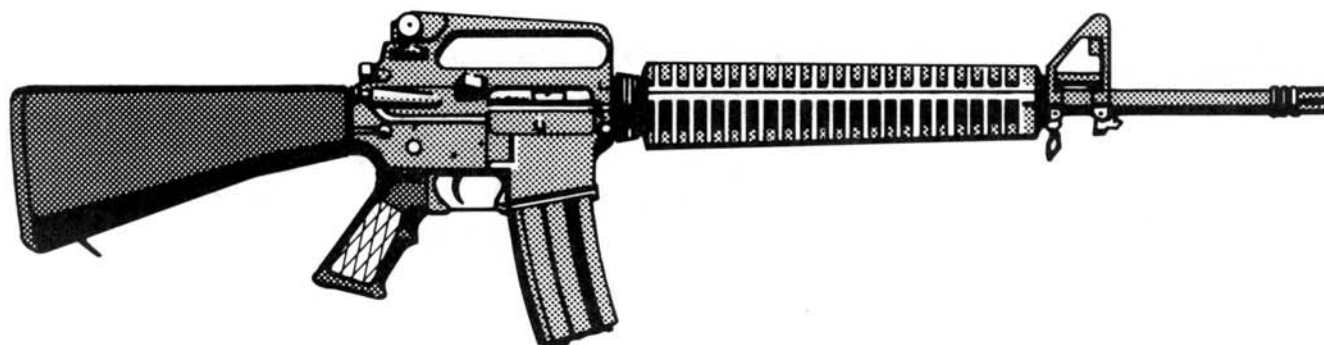
*Wt:* 3.8 kg

*Mag:* 20 box or 30 box

*Price:* \$400 (V/C)

—Recoil—

<i>Weapon</i>	<i>ROF</i>	<i>Dam</i>	<i>Pen</i>	<i>Blk</i>	<i>Mag</i>	<i>SS</i>	<i>Brst</i>	<i>Rng</i>
M16A2	3	3	1-Nil	5	20/30	3	5	55



## M21

**M21 (Sniper Rifle):** The standard US Army sniper rifle, the M21 is essentially a well-made M14 assault rifle (the US Army's service rifle prior to the M16) fitted with a telescopic sight and a bipod.

*Ammo:* 7.62mm N

*Wt:* 5.4 kg

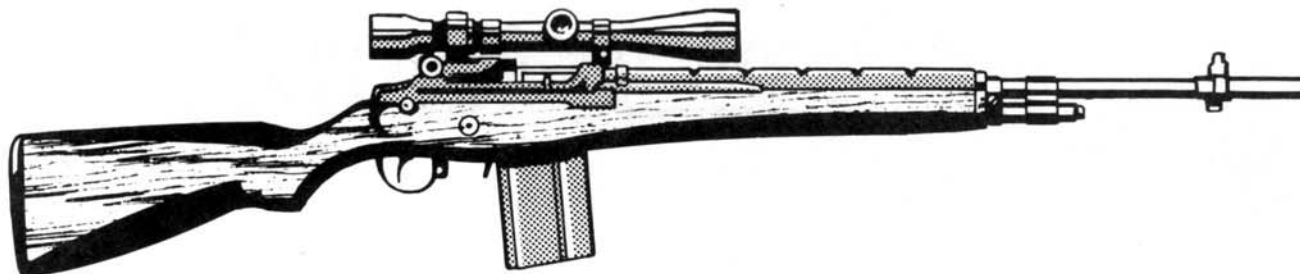
*Mag:* 20 box

*Price:* \$400 (S/R)

—Recoil—

<i>Weapon</i>	<i>ROF</i>	<i>Dam</i>	<i>Pen</i>	<i>Blk</i>	<i>Mag</i>	<i>SS</i>	<i>Brst</i>	<i>Rng</i>
M21	SA	4	2-3-Nil	6	20	4	—	65
bipod	SA	4	2-3-Nil	6	20	2	—	75

All sniper rifles come with a scope. With the scope, add 15 meters to the basic range for *aimed* shots. If the scope is later damaged or lost (or for quick shots) this modifier is not added.





## M40

**M40 (Sniper Rifle):** The standard US Marine sniper rifle, the M40 is a bolt-action, magazine-fed rifle with a telescopic sight.

*Ammo:* 7.62mm N

*Wt:* 3 kg

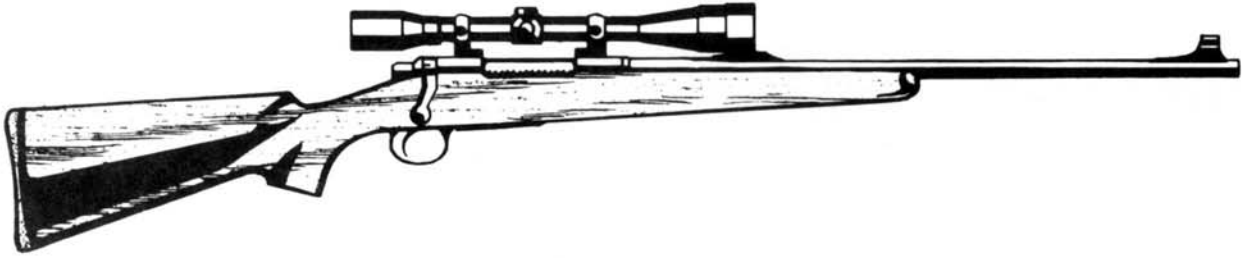
*Mag:* 5 individual

*Price:* \$700 (R/R)

—Recoil—

<i>Weapon</i>	<i>ROF</i>	<i>Dam</i>	<i>Pen</i>	<i>Blk</i>	<i>Mag</i>	<i>SS</i>	<i>Brst</i>	<i>Rng</i>
M40	BA	4	2-3-Nil	5	5i	7	—	75

All sniper rifles come with a scope. With the scope, add 15 meters to the basic range for *aimed* shots. If the scope is later damaged or lost (or for quick shots) this modifier is not added.



## MAS-49/56

**MAS-49/56 (Assault Rifle):** A French assault rifle, now replaced by the FA-MAS.

*Ammo:* 7.5mm MAS

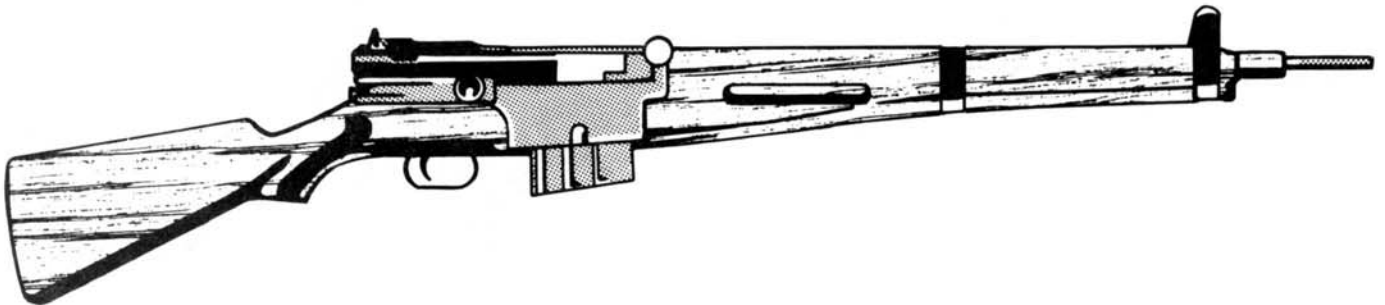
*Wt:* 4.3 kg

*Mag:* 10 box

*Price:* \$550 (C/R)

—Recoil—

<i>Weapon</i>	<i>ROF</i>	<i>Dam</i>	<i>Pen</i>	<i>Blk</i>	<i>Mag</i>	<i>SS</i>	<i>Brst</i>	<i>Rng</i>
MAS-49/56	SA	4	2-Nii	5	10	4	—	65





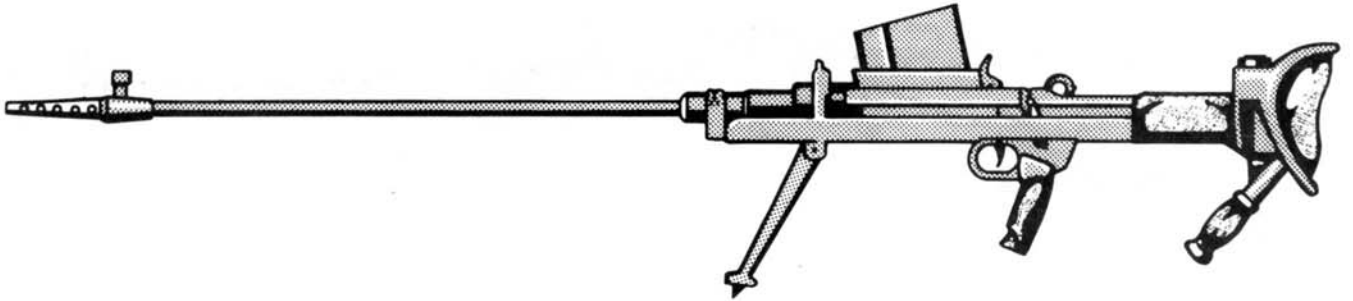
## Mk I Boys Antitank Rifle

**Mk I Boys Antitank Rifle (Sniper Rifle):** Named after its British inventor, Colonel Boys, this weapon is a sniper rifle converted from a British WWII antitank rifle (primarily by the addition of a scope mount).

*Ammo:* .55 Boys  
*Wt:* 17.2 kg  
*Mag:* 5 box  
*Price:* \$1200 (R/—)

Weapon	ROF	Dam	Pen	Blk	Mag	—Recoil—		
						SS	Brst	Rng
Mk I Boys	SA	11	2-2-3	8	5	9	—	20
monopod	SA	11	2-2-3	8	5	5	—	75

All sniper rifles come with a scope. With the scope, add 15 meters to the basic range for *aimed* shots. If the scope is later damaged or lost (or for quick shots) this modifier is not added.

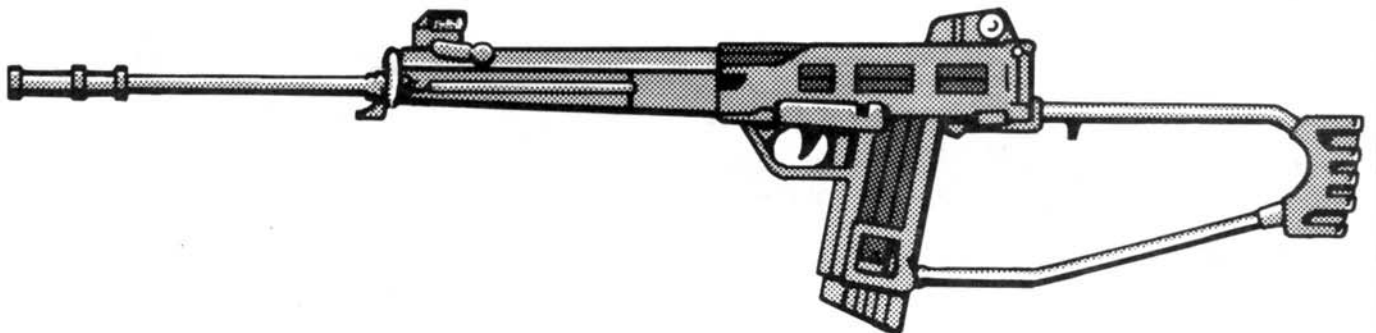


## MKS

**MKS (Assault Rifle):** A Swedish assault rifle.

*Ammo:* 5.56mm N  
*Wt:* 3.4 kg  
*Mag:* 30 box  
*Price:* \$475 (R/—)

Weapon	ROF	Dam	Pen	Blk	Mag	—Recoil—		
						SS	Brst	Rng
MKS	5	3	1-Nil	3/4	30	4	9	55





## MP-44

**MP-44 (Assault Rifle):** The MP-44, also known as the Sturmgewehr 44 (assault rifle 44) is a German WWII weapon considered to be the first purpose-built assault rifle. The Soviet Kalishnikov assault rifles were inspired by this weapon. The cartridge was created especially for this weapon and designed to strike a median point between the size and power of pistol cartridges and full-sized rifle cartridges.

*Ammo:* 8mm K  
*Wt:* 5.2 kg  
*Mag:* 30 box  
*Price:* \$750 (S/R)

Weapon	ROF	Dam	Pen	Blk	Mag	—Recoil—		
						SS	Brst	Rng
MP-44	5	3	1-Nil	5	30	3	7	55

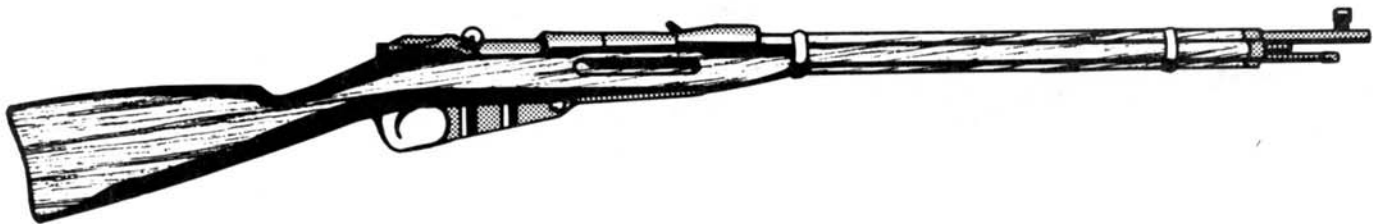


## Nagant M1891/30

**Nagant M1891/30 (Battle Rifle):** This was the primary weapon of Soviet soldiers in WWII and can still be found in service in some central Asian militias.

*Ammo:* 7.62mm B  
*Wt:* 4.6 kg  
*Mag:* 5 box (really uses a stripper clip to reload)  
*Price:* \$275 (—/S)

Weapon	ROF	Dam	Pen	Blk	Mag	—Recoil—		
						SS	Brst	Rng
M1891/30	BA	4	2-3-Nil	6	5	3	—	75





## PSG1

**PSG1 (Sniper Rifle):** The standard German sniper rifle, the PSG1 is a development of the G3 assault rifle fitted with a telescopic sight.

*Ammo:* 7.62mm N

*Wt:* 8 kg

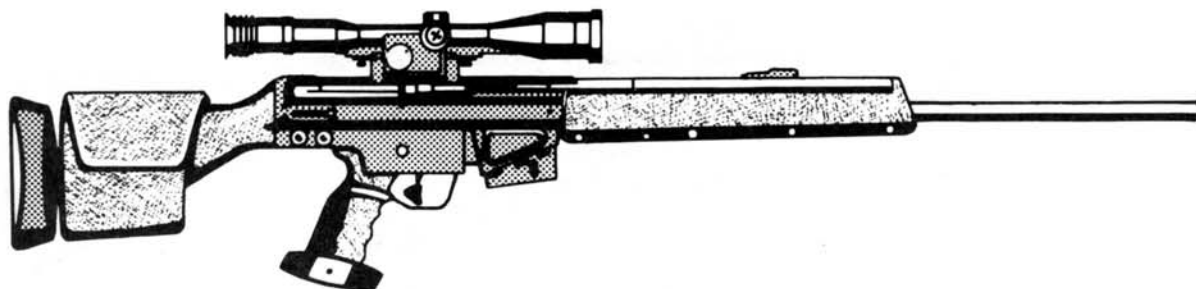
*Mag:* 20 box

*Price:* \$600 (R/R)

—Recoil—

<i>Weapon</i>	<i>ROF</i>	<i>Dam</i>	<i>Pen</i>	<i>Blk</i>	<i>Mag</i>	<i>SS</i>	<i>Brst</i>	<i>Rng</i>
PSG1	SA	4	2-3-Nil	6	20	6	—	75

All sniper rifles come with a scope. With the scope, add 15 meters to the basic range for *aimed* shots. If the scope is later damaged or lost (or for quick shots) this modifier is not added.



## PTRS-41

**PTRS-41 (Sniper Rifle):** A WWII-vintage Soviet antitank rifle, the PTRS-41 was converted for use as a sniper rifle by the addition of a scope mount.

*Ammo:* 14.5mm B

*Wt:* 22 kg

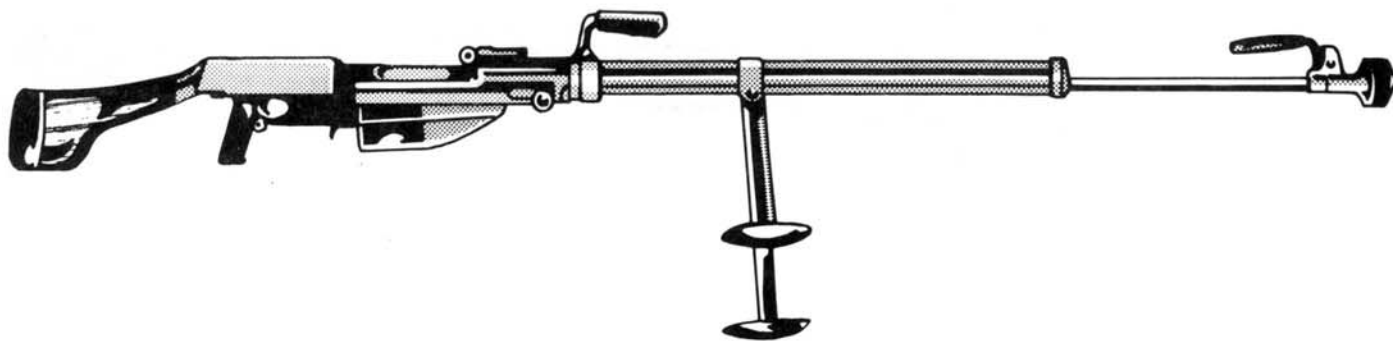
*Mag:* 5 box

*Price:* \$1200 (—/R)

—Recoil—

<i>Weapon</i>	<i>ROF</i>	<i>Dam</i>	<i>Pen</i>	<i>Blk</i>	<i>Mag</i>	<i>SS</i>	<i>Brst</i>	<i>Rng</i>
PTRS-41	SA	12	2-2-3	11	5	10	—	40
bipod	SA	12	2-2-3	11	5	5	—	75

All sniper rifles come with a scope. With the scope, add 15 meters to the basic range for *aimed* shots. If the scope is later damaged or lost (or for quick shots) this modifier is not added.





## PzB 39

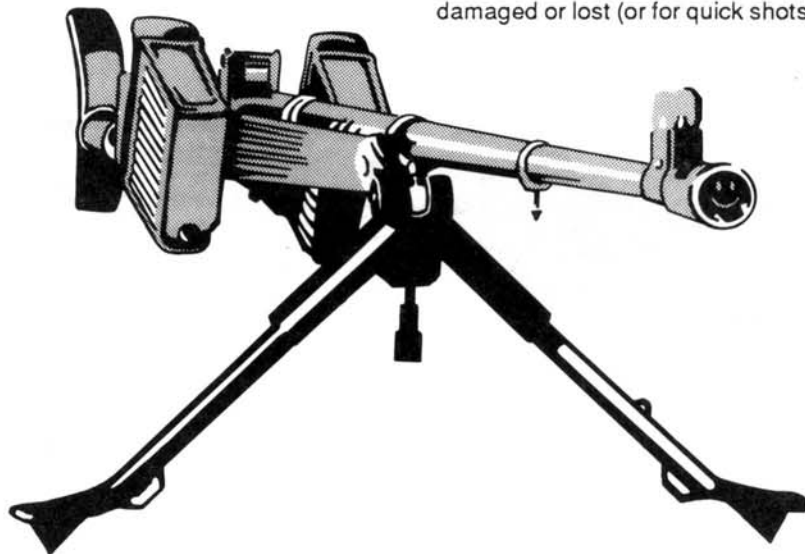
**PzB 39 (Sniper Rifle):** A German WWII antitank rifle which uses a very large, very powerful cartridge to push a very small bullet. A few have been converted for use as sniper rifles by the addition of a scope mount.

*Ammo:* 8mm P

*Wt:* 12.7 kg

*Mag:* 1 individual

*Price:* \$1450 (R/—)



—Recoil—

<i>Weapon</i>	<i>ROF</i>	<i>Dam</i>	<i>Pen</i>	<i>Blk</i>	<i>Mag</i>	<i>SS</i>	<i>Brst</i>	<i>Rng</i>
PzB 39	BA	14	2-2-3	8	1i	13	—	40
bipod	BA	14	2-2-3	8	1i	6	—	75

All sniper rifles come with a scope. With the scope, add 15 meters to the basic range for *aimed* shots. If the scope is later damaged or lost (or for quick shots) this modifier is not added.

## Remington M700

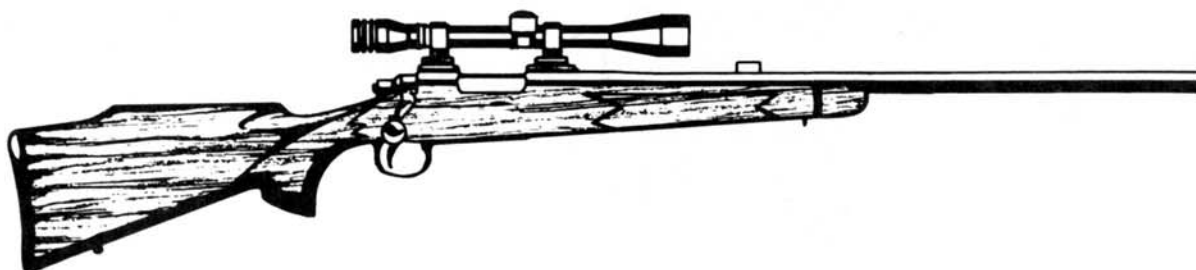
**Remington M700 (Sporting Rifle):** This weapon is a civilian bolt-action hunting rifle. A modified version is used as a sniper rifle by the US Marines.

*Ammo:* 7.62mm N

*Wt:* 3.2 kg

*Mag:* 5 individual

*Price:* \$450 (C/R)



—Recoil—

<i>Weapon</i>	<i>ROF</i>	<i>Dam</i>	<i>Pen</i>	<i>Blk</i>	<i>Mag</i>	<i>SS</i>	<i>Brst</i>	<i>Rng</i>
M700	BA	4	2-3-Nil	5	5i	5	—	75



## Ruger Mini-14/AC-556

**Ruger Mini-14/AC-556 (Assault Rifle):** A weapon based on the M14 action, but in 5.56mm N caliber, the semiautomatic Mini-14 is a very popular civilian hunting rifle. The AC-556 is the fully automatic military version.

*Ammo:* 5.56mm N

*Wt:* 3.4 kg

*Mag:* 20 box or 30 box

*Price:* \$250 (C/R) (AC-556 Price: \$550 (S/—))

—Recoil—

<i>Weapon</i>	<i>ROF</i>	<i>Dam</i>	<i>Pen</i>	<i>Blk</i>	<i>Mag</i>	<i>SS</i>	<i>Brst</i>	<i>Rng</i>
Mini-14	SA	3	1-Nil	5	20/30	4	—	50
AC-556	5	3	1-Nil	5	20/30	4	9	50



## SIG 510-4

**SIG 510-4 (Assault Rifle):** This weapon is a Swiss-built assault rifle found in service with the armies of Switzerland and several South American countries.

*Ammo:* 7.62mm N

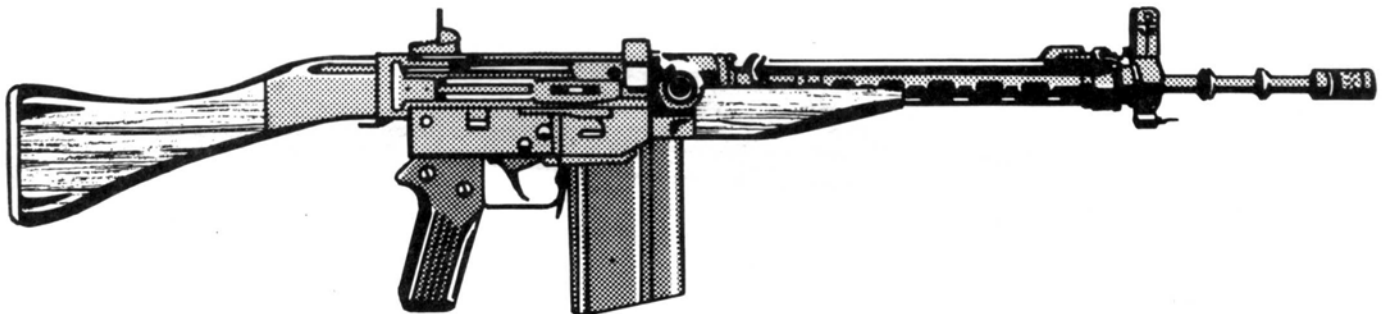
*Wt:* 5 kg

*Mag:* 20 box

*Price:* \$550 (S/R)

—Recoil—

<i>Weapon</i>	<i>ROF</i>	<i>Dam</i>	<i>Pen</i>	<i>Blk</i>	<i>Mag</i>	<i>SS</i>	<i>Brst</i>	<i>Rng</i>
SIG 510-4	5	4	2-3-Nil	5	20	4	9	65





## SKS

**SKS (Battle Rifle):** The SKS (*Samozaryadnyi i Karabin Simonova* or Simonov's carbine) is a Soviet semiautomatic battle rifle in service with a large number of Third World countries. It was the first weapon to use the 7.62mm S cartridge.

*Ammo:* 7.62mm S

*Wt:* 4 kg

*Mag:* 10 box

*Price:* \$250 (S/C)

—Recoil—

<i>Weapon</i>	<i>ROF</i>	<i>Dam</i>	<i>Pen</i>	<i>Blk</i>	<i>Mag</i>	<i>SS</i>	<i>Brst</i>	<i>Rng</i>
SKS	SA	4	2-Nil	5	10	3	—	55



## Springfield 1873

**Springfield 1873 (Sporting Rifle):** The standard US military rifle in the late 19th century, the Springfield "Trapdoor" (so called because of its uniquely designed hinged breech system) remained a popular sporting rifle well into the 20th century. A number of these rifles are still in the hands of primitive peoples throughout the world because of the ease with which the cartridges can be reloaded.

*Ammo:* .45-70 Govt

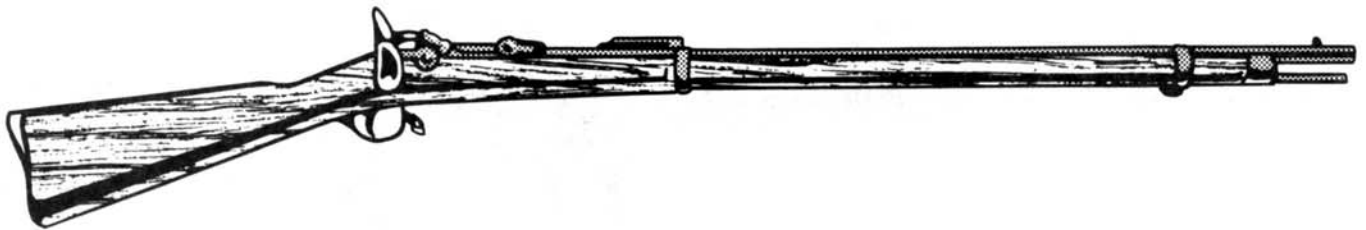
*Wt:* 4.5 kg

*Mag:* 1 individual

*Price:* \$250 (S/R)

—Recoil—

<i>Weapon</i>	<i>ROF</i>	<i>Dam</i>	<i>Pen</i>	<i>Blk</i>	<i>Mag</i>	<i>SS</i>	<i>Brst</i>	<i>Rng</i>
1873	SS	3	2-Nil	7	1i	3	—	55







## Springfield 1903

**Springfield 1903 (Sporting Rifle):** The standard American rifle throughout the first half of the 20th century, it is still used as a sniper rifle by some units.

*Ammo:* .30-06

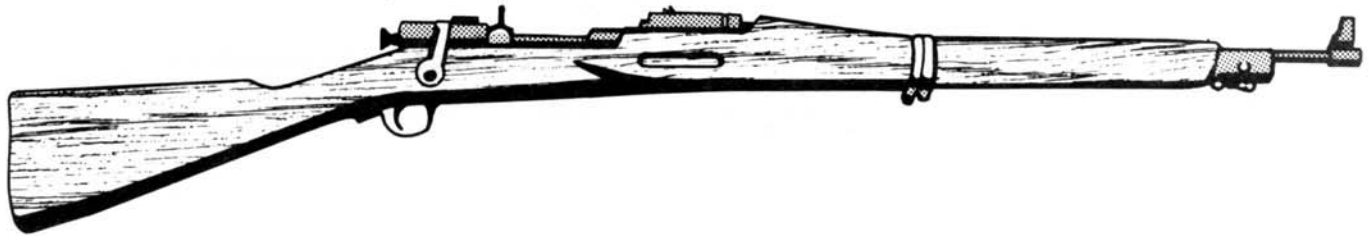
*Wt:* 4.2 kg

*Mag:* 5 box (really uses a stripper clip to reload)

*Price:* \$450 (R/—)

—Recoil—

Weapon	ROF	Dam	Pen	Blk	Mag	SS	Brst	Rng
1903	BA	4	2-3-Nil	5	5	4	—	75



## Stoner M22 Rifle

**Stoner M22 Rifle (Assault Rifle):** The assault rifle version of the Stoner 63 weapons system. (The Stoner system is a kit of parts from which a rifle, a carbine, and several machineguns could be assembled, using a common action.) The system is no longer manufactured and is quite rare.

*Ammo:* 5.56mm N

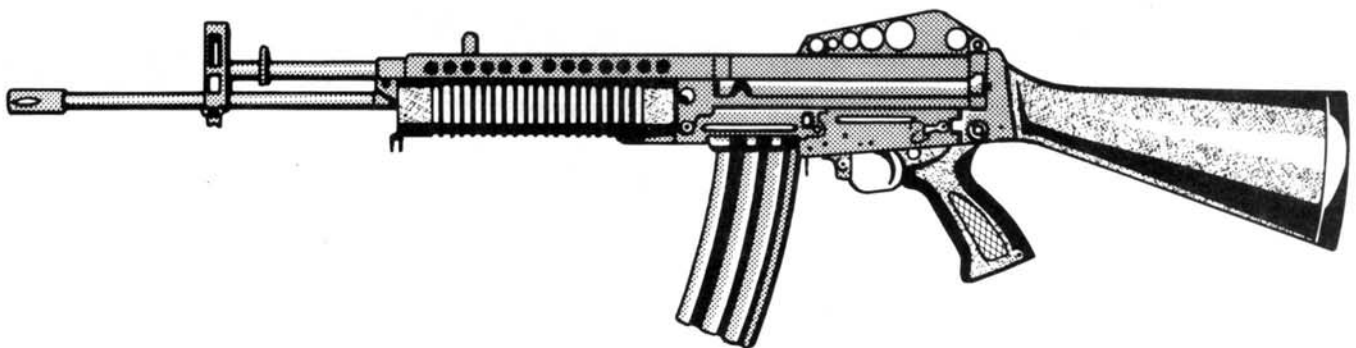
*Wt:* 4.2 kg

*Mag:* 30 box

*Price:* \$650 (R/—)

—Recoil—

Weapon	ROF	Dam	Pen	Blk	Mag	SS	Brst	Rng
M22	5	3	1-Nil	5	30	3	8	55





## Stoner M23 Carbine

**Stoner M23 Carbine (Assault Rifle):** The carbine version of the Stoner 63 system.

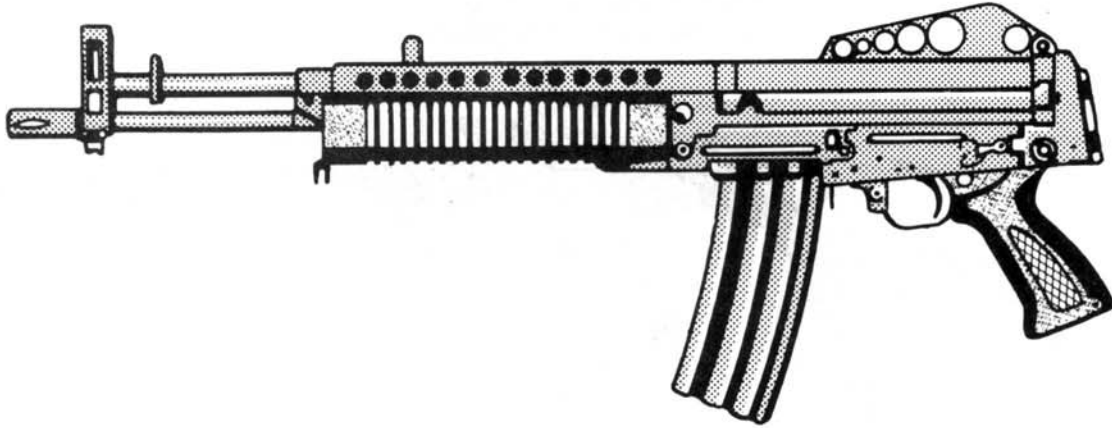
*Ammo:* 5.56mm N

*Wt:* 4.2 kg

*Mag:* 30 box

*Price:* \$650 (R/—)

<i>Weapon</i>	<i>ROF</i>	<i>Dam</i>	<i>Pen</i>	<i>Blk</i>	<i>Mag</i>	<i>—Recoil—</i>		
						<i>SS</i>	<i>Brst</i>	<i>Rng</i>
M23 Carbine	5	3	1-Nil	3/4	30	3	7	50



## Steyr AUG

**Steyr AUG (Assault Rifle):** An Austrian-designed, bullpup-configuration assault rifle, in use by a number of armies throughout the world.

*Ammo:* 5.56mm N

*Wt:* 3.3 kg

*Mag:* 30 box

*Price:* \$400 (S/R)

<i>Weapon</i>	<i>ROF</i>	<i>Dam</i>	<i>Pen</i>	<i>Blk</i>	<i>Mag</i>	<i>—Recoil—</i>		
						<i>SS</i>	<i>Brst</i>	<i>Rng</i>
Steyr AUG	5	3	1-Nil	4	30	3	8	50





## Steyr AUG Carbine

**Steyr AUG Carbine (Assault Rifle):** This is a more compact version of the Steyr AUG.

*Ammo:* 5.56mm N

*Wt:* 3.1 kg

*Mag:* 30 box

*Price:* \$400 (S/R)

Weapon	ROF	Dam	Pen	Blk	Mag	—Recoil—		
						SS	Brst	Rng
AUG Carbine	5	3	1-Nil	3	30	4	9	45



## Steyr SSG-69

**Steyr SSG-69 (Sniper Rifle):** The SSG-69 (*Scharfschützen Gewehr-69* or sharpshooter's rifle model 69) is an Austrian bolt-action sniper rifle, which is also sold for sporting purposes.

*Ammo:* 7.62mm N

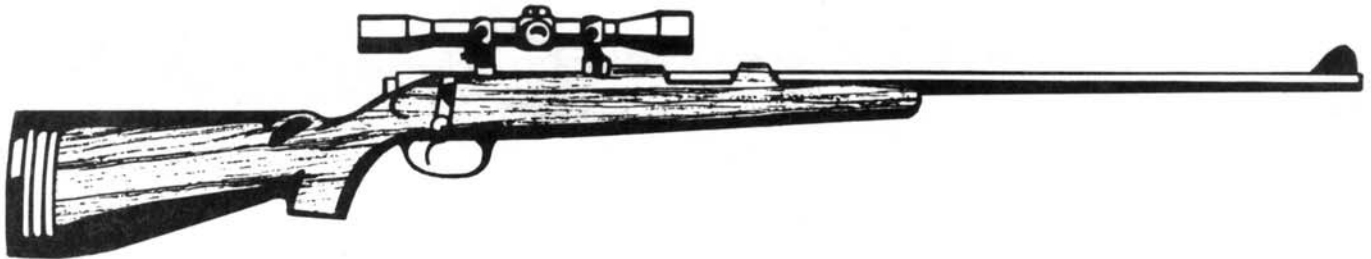
*Wt:* 4.6 kg

*Mag:* 5 box or 10 box

*Price:* \$450 (S/R)

Weapon	ROF	Dam	Pen	Blk	Mag	—Recoil—		
						SS	Brst	Rng
SSG-69	BA	4	2-3-Nil	6	5/10	4	—	75

All sniper rifles come with a scope. With the scope, add 15 meters to the basic range for *aimed* shots. If the scope is later damaged or lost (or for quick shots) this modifier is not added.





## SVD

**SVD (Sniper Rifle):** The standard Eastern Bloc sniper rifle (except in Czech service), the SVD is a semiautomatic, clip-fed rifle with a telescopic sight.

*Ammo:* 7.62mm S

*Wt:* 4.6 kg

*Mag:* 10 box

*Price:* \$500 (R/S)

—Recoil—

<i>Weapon</i>	<i>ROF</i>	<i>Dam</i>	<i>Pen</i>	<i>Blk</i>	<i>Mag</i>	<i>SS</i>	<i>Brst</i>	<i>Rng</i>
SVD	SA	4	2-3-Nil	6	10	4	—	75

All sniper rifles come with a scope. With the scope, add 15 meters to the basic range for *aimed* shots. If the scope is later damaged or lost (or for quick shots) this modifier is not added.



## Type 64

**Type 64 (Assault Rifle):** This weapon is currently the standard assault rifle for the Japanese self-defense forces.

*Ammo:* 7.62mm N

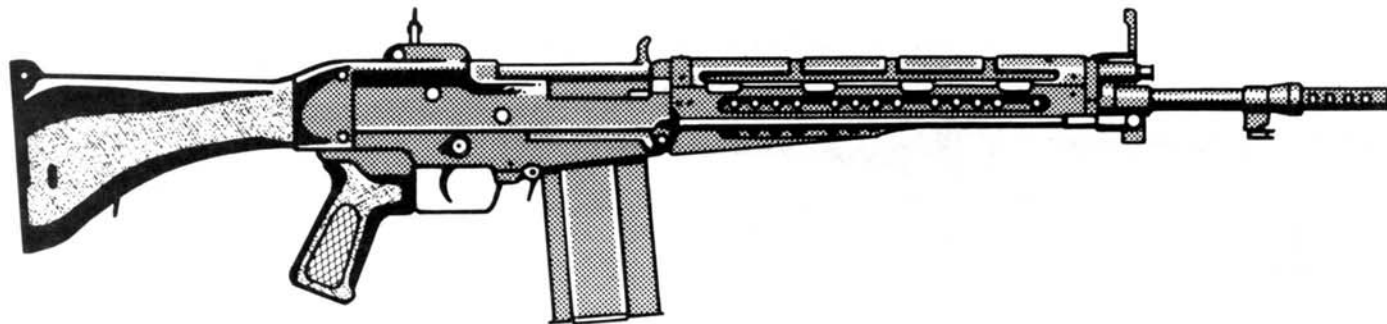
*Wt:* 5 kg

*Mag:* 20 box

*Price:* \$650 (R/—)

—Recoil—

<i>Weapon</i>	<i>ROF</i>	<i>Dam</i>	<i>Pen</i>	<i>Blk</i>	<i>Mag</i>	<i>SS</i>	<i>Brst</i>	<i>Rng</i>
Type 64	5	4	2-3-Nil	5	20	4	9	65





## Valmet M71

**Valmet M71 (Assault Rifle):** This is a Finnish version of the AK series of assault rifles, notable for its bullpup configuration.

*Ammo:* 5.45mm B

*Wt:* 3.9 kg

*Mag:* 15 box or 30 box

*Price:* \$450 (R/—)

Weapon	ROF	Dam	Pen	Blk	Mag	—Recoil—		
						SS	Brst	Rng
Valmet M71 SA		3	1-Nil	4	15/30	3	—	50



## Vz-54

**Vz-54 (Sniper Rifle):** The standard Czech sniper rifle is a progressive development of the bolt-action Mauser (the German Army's WWII service rifle), fitted with a telescopic sight.

*Ammo:* 8mm M

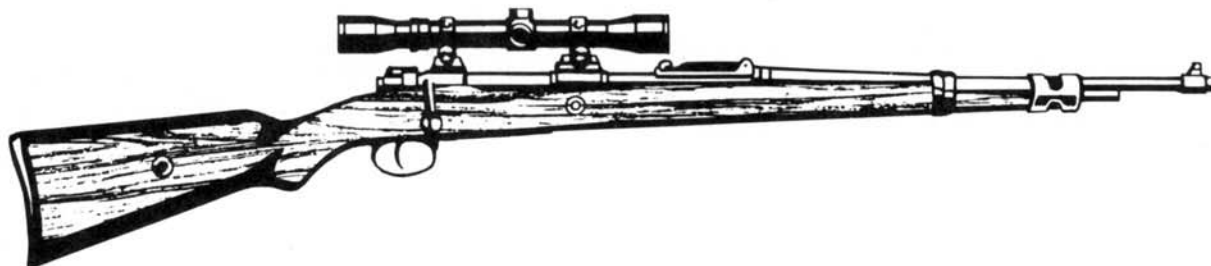
*Wt:* 4.5 kg

*Mag:* 5 individual

*Price:* \$300 (R/R)

Weapon	ROF	Dam	Pen	Blk	Mag	—Recoil—		
						SS	Brst	Rng
Vz-54	BA	4	2-3-Nil	5	5i	5	—	65

All sniper rifles come with a scope. With the scope, add 15 meters to the basic range for *aimed* shots. If the scope is later damaged or lost (or for quick shots) this modifier is not added.





## Vz-58V

**Vz-58V (Assault Rifle):** The Vz-58V is a Czech assault rifle manufactured for domestic service but also sold on the export market.

*Ammo:* 7.62mm S

*Wt:* 3.8 kg

*Mag:* 30 box

*Price:* \$375 (S/C)

Weapon	ROF	Dam	Pen	Blk	Mag	—Recoil—		
						SS	Brst	Rng
Vz-58V	5	3	1-Nil	3/4	30	3	9	55



## WA-2000

**WA-2000 (Sniper Rifle):** This is a German-built sniper rifle, originally designed for Olympic marksmanship competitions.

*Ammo:* .30 M

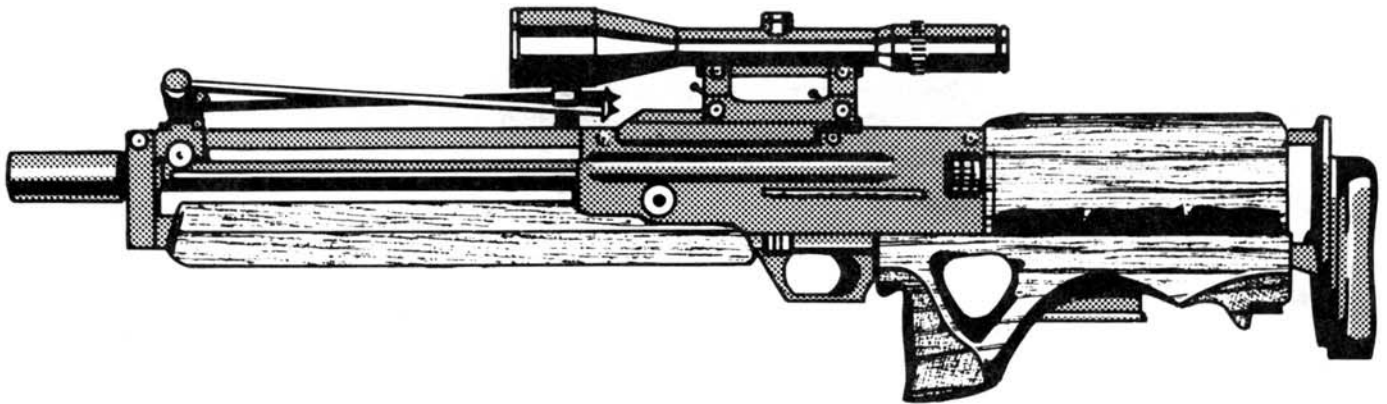
*Wt:* 8.3 kg

*Mag:* 6 box

*Price:* \$2000 (R/—)

Weapon	ROF	Dam	Pen	Blk	Mag	—Recoil—		
						SS	Brst	Rng
WA-2000	SA	5	2-3-Nil	5	6	5	—	75

All sniper rifles come with a scope. With the scope, add 15 meters to the basic range for *aimed* shots. If the scope is later damaged or lost (or for quick shots) this modifier is not added.





## Winchester M70 African

**Winchester M70 African (Sporting Rifle):** The M70 is a large-bore hunting rifle designed for the largest game animals (a class of weapon commonly called "elephant guns").

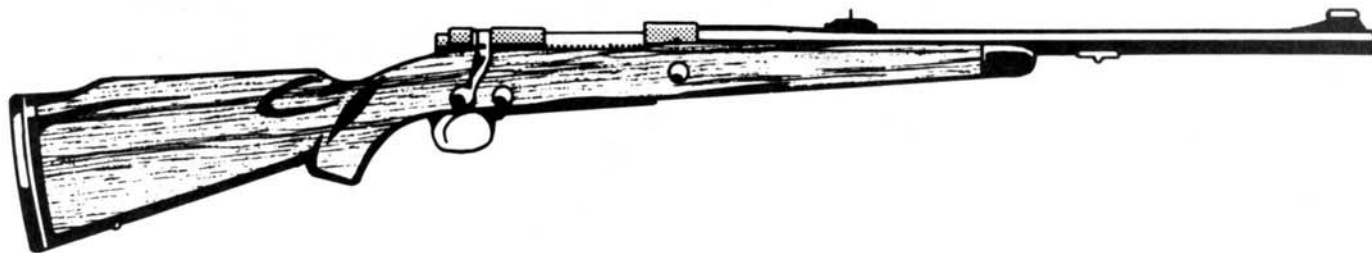
*Ammo:* .458 WBM

*Wt:* 4 kg

*Mag:* 3 individual

*Price:* \$475 (S/S)

Weapon	ROF	Dam	Pen	Blk	Mag	—Recoil—		
						SS	Brst	Rng
M70 African	BA	6	2-4-Nil	5i	3i	7	—	65



## Winchester 1873

**Winchester 1873 (Sporting Rifle):** This is an American lever-action carbine that was the subject of a movie of the same name starring Jimmy Stewart. The rifle is a collectors' item in the US, but can still be found overseas as a hunting weapon. Modern cartridges are still made for it.

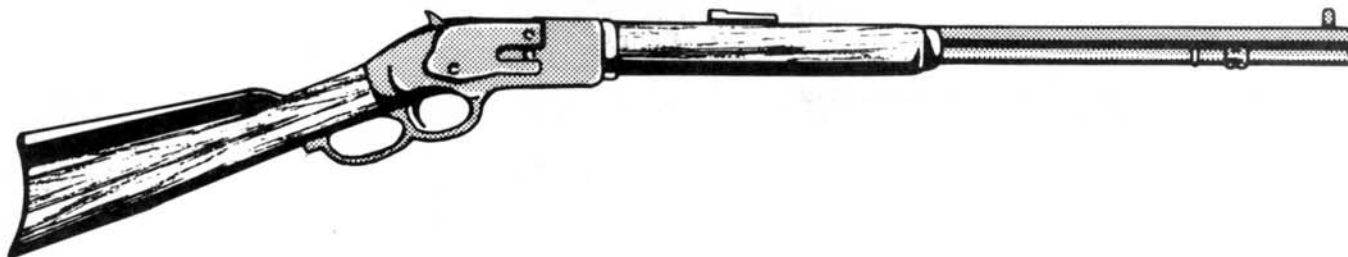
*Ammo:* .44-40

*Wt:* 4.4 kg

*Mag:* 15 individual

*Price:* \$600 (S/R)

Weapon	ROF	Dam	Pen	Blk	Mag	—Recoil—		
						SS	Brst	Rng
1873	LA	2	1-Nil	5	15i	2	—	45





## Winchester 1894

**Winchester 1894 (Sporting Rifle):** This rifle is a modernized version of the Winchester 1873. Improved versions are still used as hunting weapons in the US.

*Ammo:* .30-30

*Wt:* 3.1 kg

*Mag:* 6 individual

*Price:* \$275 (C/R)

—Recoil—

Weapon	ROF	Dam	Pen	Blk	Mag	SS	Brst	Rng
1894	LA	3	2-Nil	5	6i	4	—	50



## BAR M1918A2

**BAR M1918A2 (Automatic Rifle):** An American automatic rifle developed too late for front-line service on any large scale in WWI.

*Ammo:* .30-06

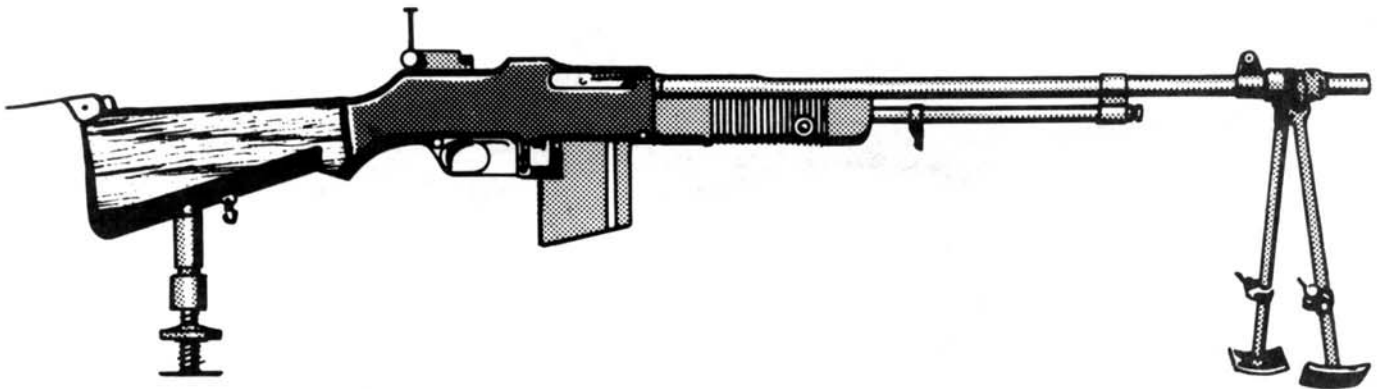
*Wt:* 9.5 kg

*Mag:* 20 box

*Price:* \$875 (R/—)

—Recoil—

Weapon	ROF	Dam	Pen	Blk	Mag	SS	Brst	Rng
M1918A2	5	4	2-3-Nil	6	20	2	5	65
bipod	5	4	2-3-Nil	6	20	1	2	90







## AAT-52

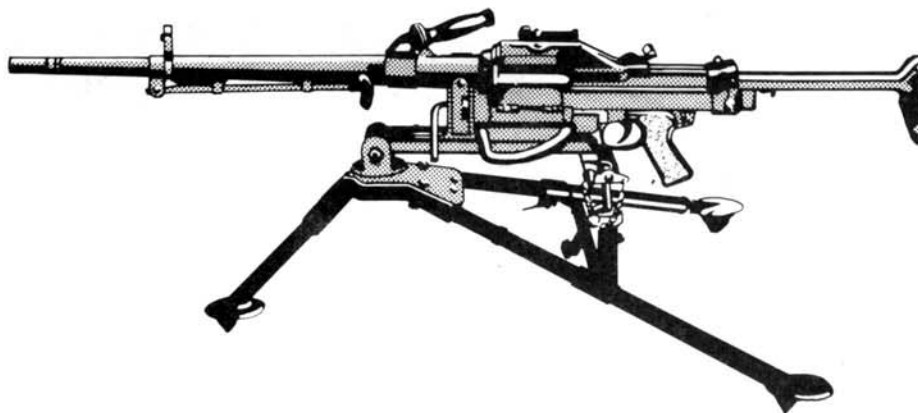
**AAT-52 (Machinegun):** The standard machinegun of the French military, the AAT-52 is equipped with a bipod and can be fired from a tripod (NLT). The weapon's blowback extraction system tends to rip cartridge cases in half when extracting them, leaving a ring of brass stuck in the barrel. French troops have learned to overcome this deficiency by greasing the cartridge cases. Troops unfamiliar with the AAT-52, however, will be unaware of this precaution, and once the weapon's ready supply of ammo has been used up, the weapon may jam. (Roll 1D10 each combat turn the weapon is fired. A roll of 1 indicates the weapon is jammed.) A jam requires one full combat turn to clear.

*Ammo:* 7.5mm MAS

*Wt:* 11 kg

*Mag:* 50 belt

*Price:* \$400 (R/R)



Weapon	ROF	Dam	Pen	Blk	Mag	—Recoil—		
						SS	Brst	Rng
AAT-52	10	4	2-3-Nil	5	50B	1	7	65
bipod	10	4	2-3-Nil	5	50B	1	4	90
tripod	10	4	2-3-Nil	5	50B	1	2	125

## Bren L2A4

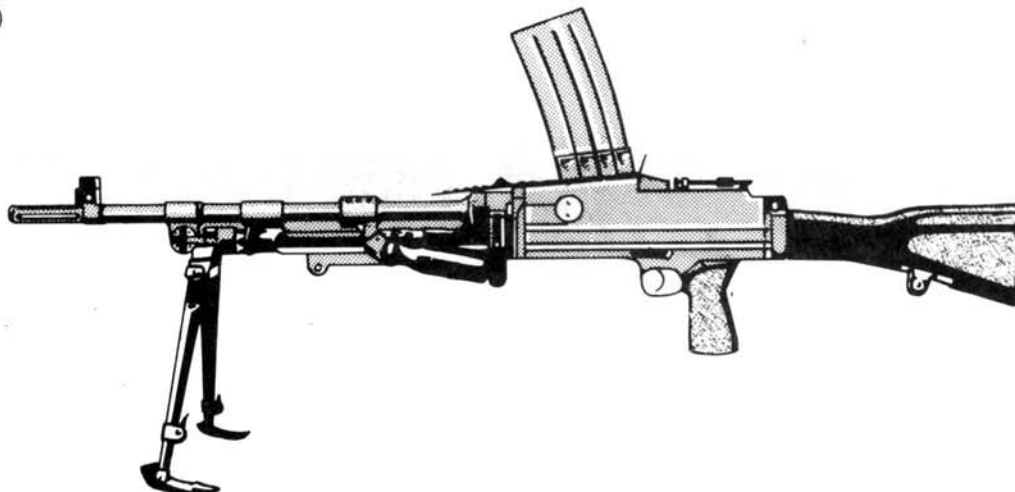
**Bren L2A4 (Machinegun):** A modern variation of the WWII Bren gun, chambered for a more modern round than its predecessor.

*Ammo:* 7.62mm N

*Wt:* 11.8 kg

*Mag:* 30 box

*Price:* \$1200 (R/—)



Weapon	ROF	Dam	Pen	Blk	Mag	—Recoil—		
						SS	Brst	Rng
Bren L2A4	5	4	2-3-Nil	6	30	1	4	60
bipod	5	4	2-3-Nil	6	30	1	2	75



## RPK

**RPK (Automatic Rifle):** The older version of the RPK series, this automatic rifle fires the 7.62mm fired by the AKM assault rifle. In addition to the standard magazines fired from the assault rifle, it also has a very long 75-round magazine. This weapon is usually found only in units also using the AKM.

*Ammo:* 7.62mm S

*Wt:* 5 kg

*Mag:* 30 box or 40 box or 75 box

*Price:* \$1000 (S/C)

Weapon	ROF	Dam	Pen	Blk	Mag	—Recoil—		
						SS	Brst	Rng
RPK	10	3	2-Nil	5	30/40/75	1	6	60
bipod	10	3	2-Nil	5	30/40/75	1	3	75



## RPK-74

**RPK-74 (Automatic Rifle):** The standard, Warsaw Pact, light automatic support weapon, the RPK-74 can accept either the same magazine as the AK-74 or an oversized magazine.

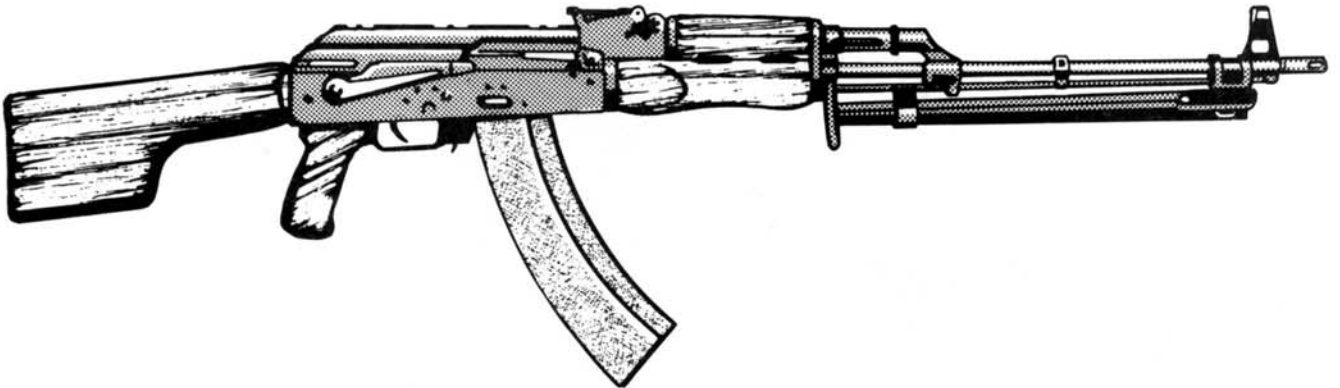
*Ammo:* 5.45mm B

*Wt:* 4.5 kg

*Mag:* 30 box or 40 box

*Price:* \$1000 (S/C)

Weapon	ROF	Dam	Pen	Blk	Mag	—Recoil—		
						SS	Brst	Rng
RPK-74	10	2	1-Nil	5	30/40	1	6	50
bipod	10	2	1-Nil	5	30/40	1	3	75





## M249 SAW

**M249 SAW (Automatic Rifle):** The M249 Squad Automatic Weapon (SAW) is the standard US light automatic support weapon. It can accept either the standard 30-round magazine of the M16A2 or a 200-round belt. It is equipped with a bipod.

*Ammo:* 5.56 N

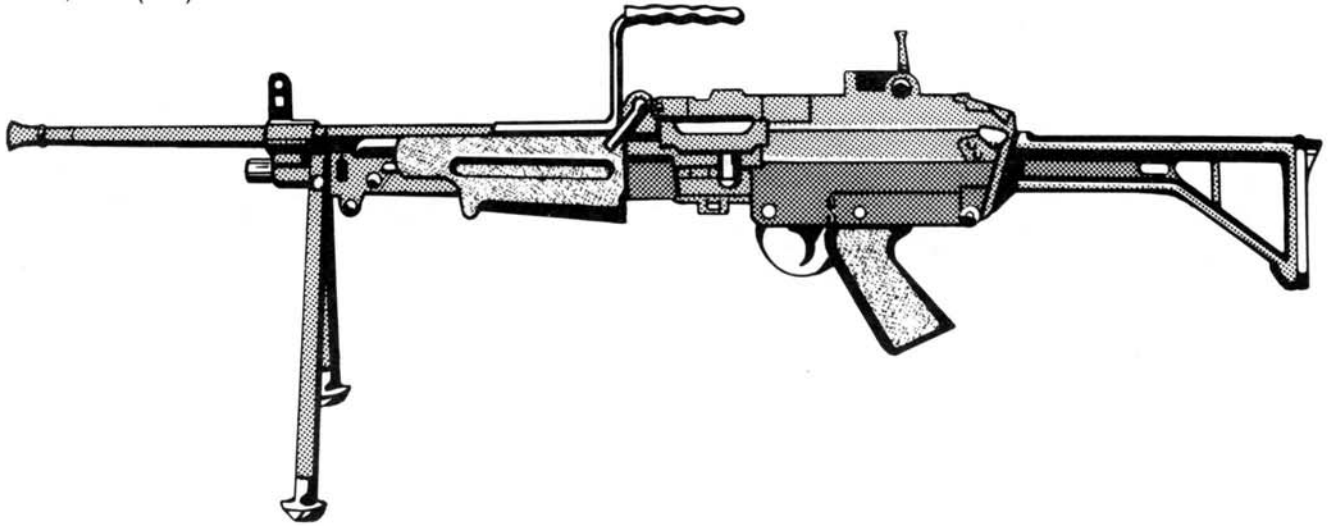
*Wt:* 7 kg

*Mag:* 30 or 200 belt

*Price:* \$1500 (S/R)

—Recoil—

<i>Weapon</i>	<i>ROF</i>	<i>Dam</i>	<i>Pen</i>	<i>Blk</i>	<i>Mag</i>	<i>SS</i>	<i>Brst</i>	<i>Rng</i>
M249 SAW	10	2	1-Nil	5	30/200B	1	3	60
bipod	10	2	1-Nil	5	30/200B	1	3	75



## Colt M1895/1914

**Colt M1895/1914 (Machinegun):** This is the first truly automatic machinegun formally adopted for service by the US Army. It is now obsolete and is quite rare.

*Ammo:* .30-06

*Wt:* 50.6 kg (*Weapon Wt:* 22.8 kg *Tripod Wt:* 27.8 kg)

*Mag:* 250 belt

*Price:* \$1800 (—/—)

—Recoil—

<i>Weapon</i>	<i>ROF</i>	<i>Dam</i>	<i>Pen</i>	<i>Blk</i>	<i>Mag</i>	<i>SS</i>	<i>Brst</i>	<i>Rng</i>
M1895/1914	5	4	2-3-Nil	5	250B	1	4	65
tripod	5	4	2-3-Nil	5	250B	1	2	125





## DP

**DP (Machinegun):** A Soviet WWII-vintage machinegun used by China and Vietnam.

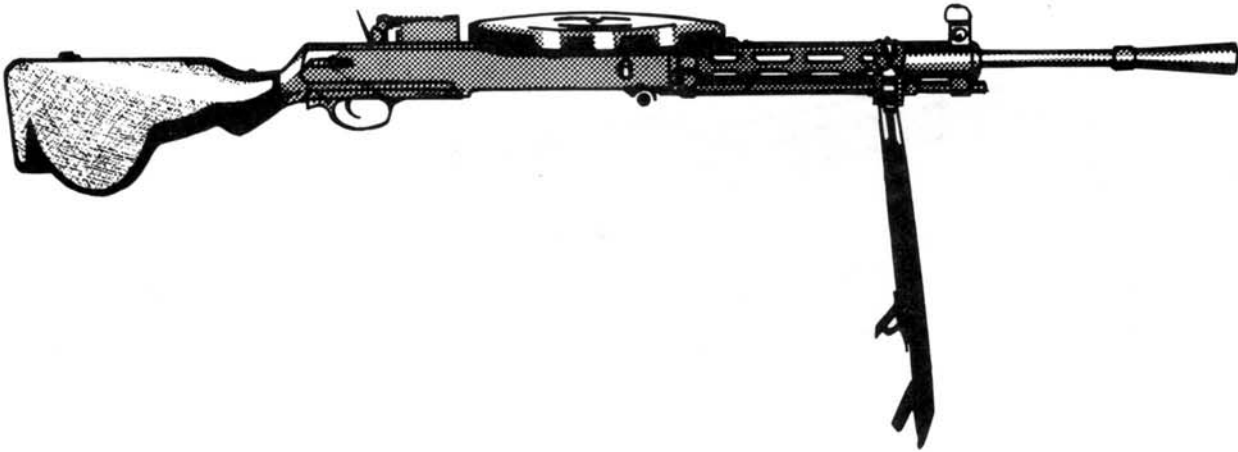
*Ammo:* 7.62mm L

*Wt:* 11.9 kg

*Mag:* 47 drum

*Price:* \$850 (—/S)

Weapon	ROF	Dam	Pen	Blk	Mag	—Recoil—		
						SS	Brst	Rng
DP	5	4	2-3-Nil	6	47	1	4	65
bipod	5	4	2-3-Nil	6	47	1	2	90



## DShK

**DShK (Machinegun):** The standard heavy machinegun in use by Warsaw Pact nations. It is usually used on a vehicle mount, but can also be used on a wheeled carriage (PHC) which is treated as a tripod mount.

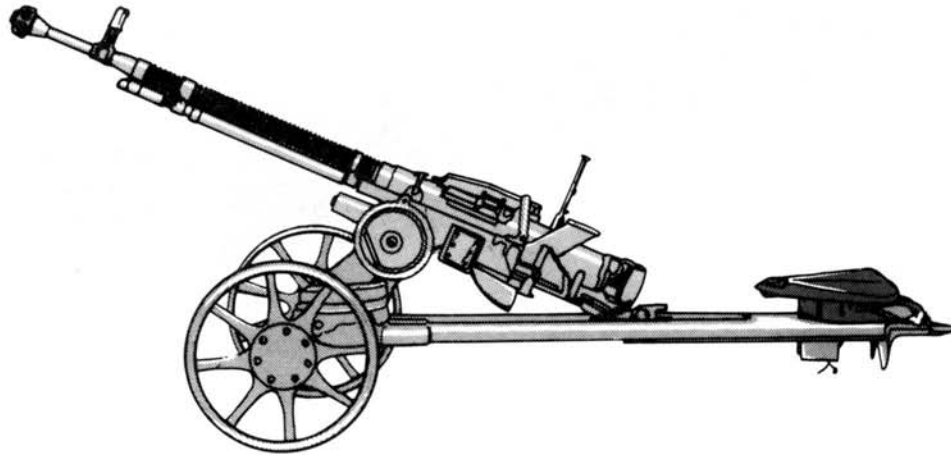
*Ammo:* 12.7mm B

*Wt:* 128 kg (*Weapon Wt:* 46.7 kg *Tripod Carriage Wt:* 81.3 kg)

*Mag:* 50 belt

*Price:* \$2000 (C/V)

Weapon	ROF	Dam	Pen	Blk	Mag	—Recoil—		
						SS	Brst	Rng
DShK	5	9	2-2-3	8	50B	7	17	65
tripod	5	9	2-2-3	8	50B	3	8	150





## FMM 24/29

**FMM 24/29 (Machinegun):** A French 1930s-era machinegun, used during WWII and still found in service with some armies.

*Ammo:* 7.5mm MAS

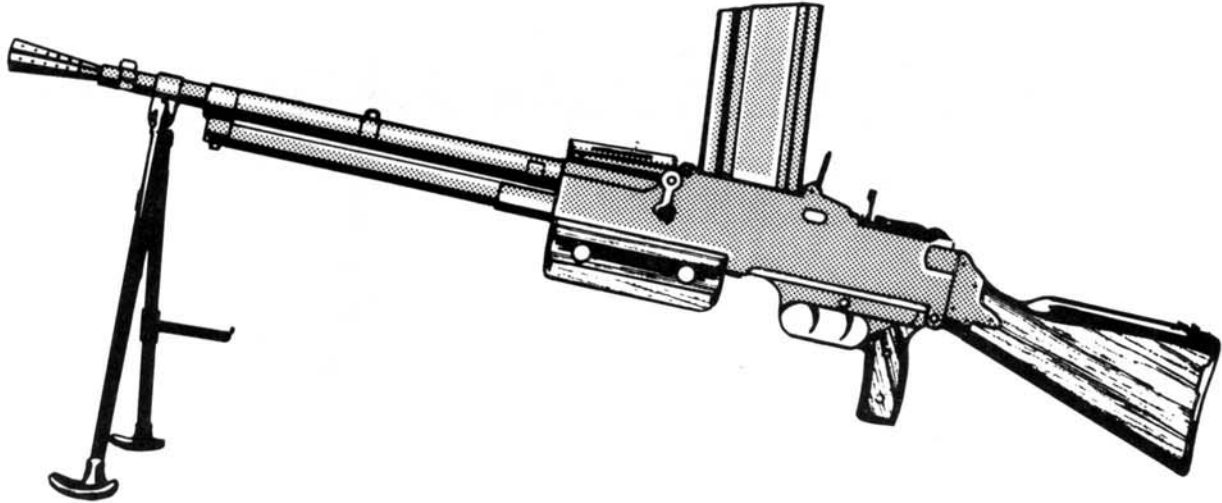
*Wt:* 11 kg

*Mag:* 25 box

*Price:* \$1100 (R/—)

—Recoil—

<i>Weapon</i>	<i>ROF</i>	<i>Dam</i>	<i>Pen</i>	<i>Blk</i>	<i>Mag</i>	<i>SS</i>	<i>Brst</i>	<i>Rng</i>
FMM 24/29	5	4	2-3-Nil	4	25	2	4	65
bipod	5	4	2-3-Nil	4	25	1	2	90



## HK-21

**HK-21 (Machinegun):** A German machinegun manufactured for the export market and for domestic use.

*Ammo:* 7.62mm N

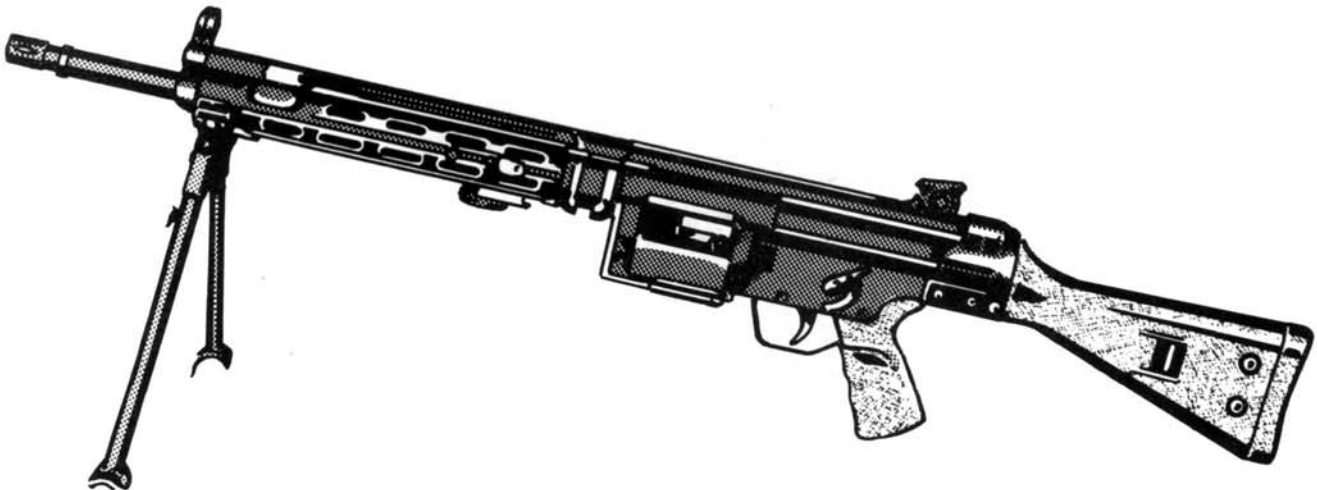
*Wt:* 12.5 kg

*Mag:* 50 belt

*Price:* \$1200 (S/R)

—Recoil—

<i>Weapon</i>	<i>ROF</i>	<i>Dam</i>	<i>Pen</i>	<i>Blk</i>	<i>Mag</i>	<i>SS</i>	<i>Brst</i>	<i>Rng</i>
HK-21	5	4	2-3-Nil	6	50B	1	4	65
bipod	5	4	2-3-Nil	6	50B	1	2	90
tripod	5	4	2-3-Nil	6	50B	1	1	125

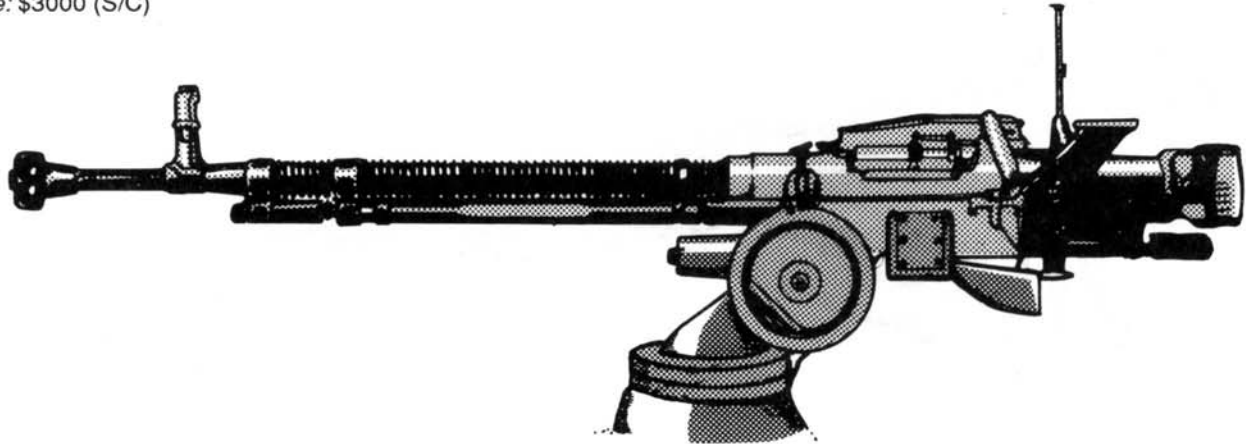




## KPV

**KPV (Machinegun):** The KPV is the largest-caliber conventional machinegun in service and is virtually a small cannon. It fires a round originally developed for the Soviet RTRS-41 antitank rifle in WWII and is found mounted only on vehicles. It accepts 100-round belts.

*Ammo:* 14.5mm B  
*Wt:* 50 kg  
*Mag:* 100 belt  
*Price:* \$3000 (S/C)



—Recoil—

<i>Weapon</i>	<i>ROF</i>	<i>Dam</i>	<i>Pen</i>	<i>Blk</i>	<i>Mag</i>	<i>SS</i>	<i>Brst</i>	<i>Rng</i>
KPV	5	12	2-2-3	10	100B	*	*	150

\*The KPV is always mounted in a vehicle or on a field carriage and has negligible recoil.

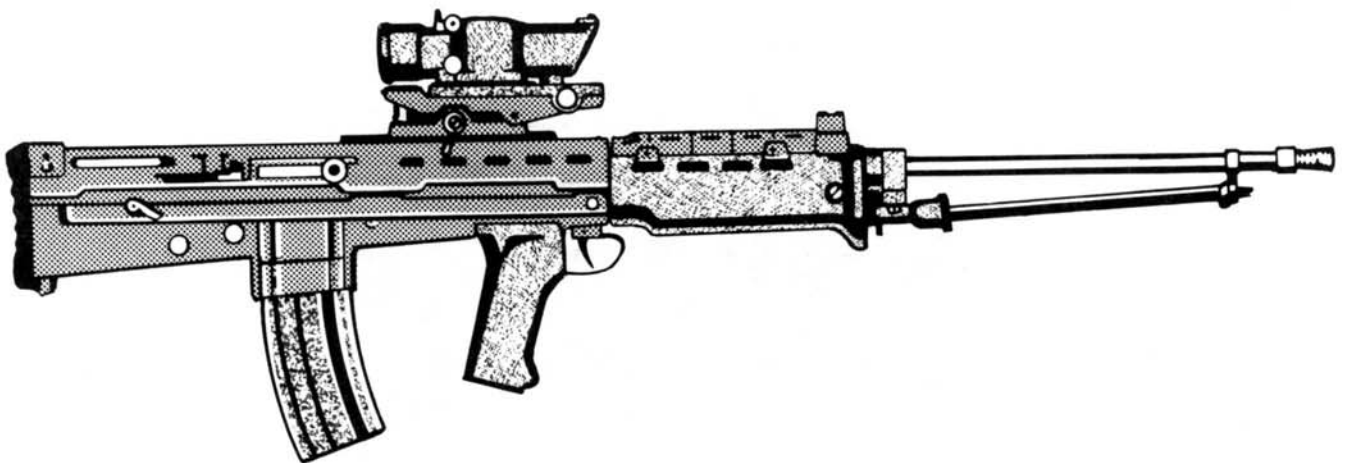
## L86A1 LSW

**L86A1 LSW (Machinegun):** The heavy-barreled support version of the L85, the L86A1 uses either 100-round belts or the same magazines as the L85. It is equipped with a bipod.

*Ammo:* 5.56mm N  
*Wt:* 4.5 kg  
*Mag:* 30 box or 100 belt  
*Price:* \$1500 (R/R)

—Recoil—

<i>Weapon</i>	<i>ROF</i>	<i>Dam</i>	<i>Pen</i>	<i>Blk</i>	<i>Mag</i>	<i>SS</i>	<i>Brst</i>	<i>Rng</i>
L86A1 LSW	10	3	1-Nil	5	30/100B	2	11	50
bipod	10	3	1-Nil	5	30/100B	1	6	65





## Lewis Mk I

**Lewis Mk I (Machinegun):** The Lewis gun is a WWI-vintage, air-cooled machinegun modified for service in WWII. The weapon is most notable for the horizontal drum mounted on the top of the weapon.

*Ammo:* .303

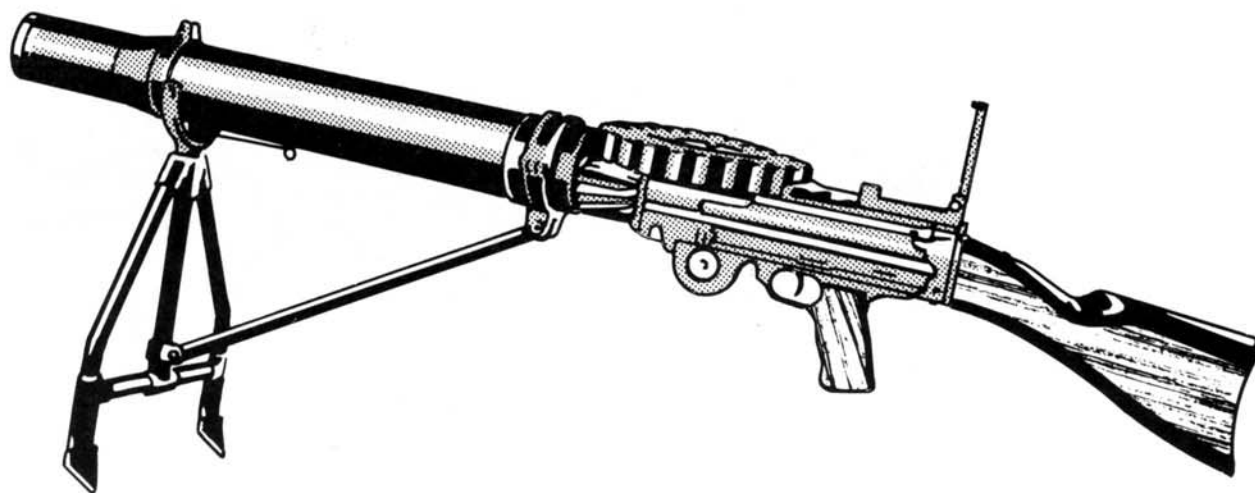
*Wt:* 14 kg

*Mag:* 47 drum

*Price:* \$1200 (S/R)

—Recoil—

<i>Weapon</i>	<i>ROF</i>	<i>Dam</i>	<i>Pen</i>	<i>Blk</i>	<i>Mag</i>	<i>SS</i>	<i>Brst</i>	<i>Rng</i>
Lewis Mk I	5	4	2-Nil	6	47	1	3	60
bipod	5	4	2-Nil	6	47	1	2	75



## M214 6-Pac

**M214 6-Pac (Machinegun):** The M214 is a six-barreled Gatling gun, fed by a 1000-round drum. When the ROF is set at 5, the weapon can be fired without a tripod.

*Ammo:* 5.56mm N

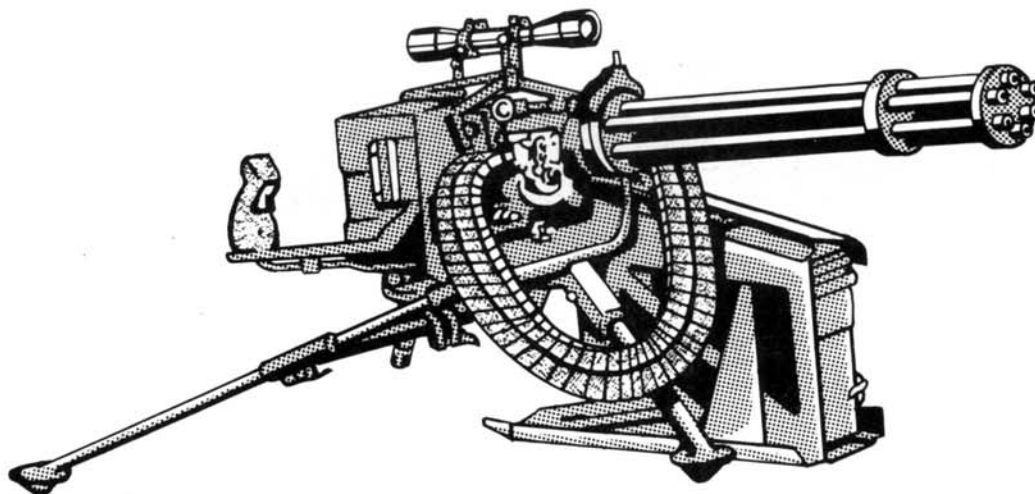
*Wt:* 12.3 kg (*Tripod Wt:* 26.3 kg)

*Mag:* 1000 drum

*Price:* \$10,000 (R/R)

—Recoil—

<i>Weapon</i>	<i>ROF</i>	<i>Dam</i>	<i>Pen</i>	<i>Blk</i>	<i>Mag</i>	<i>SS</i>	<i>Brst</i>	<i>Rng</i>
M214 6-Pac	5	3	1-Nil	4	1000	1	5	60
tripod	50	3	1-Nil	4	1000	1	5	90





## M2HB

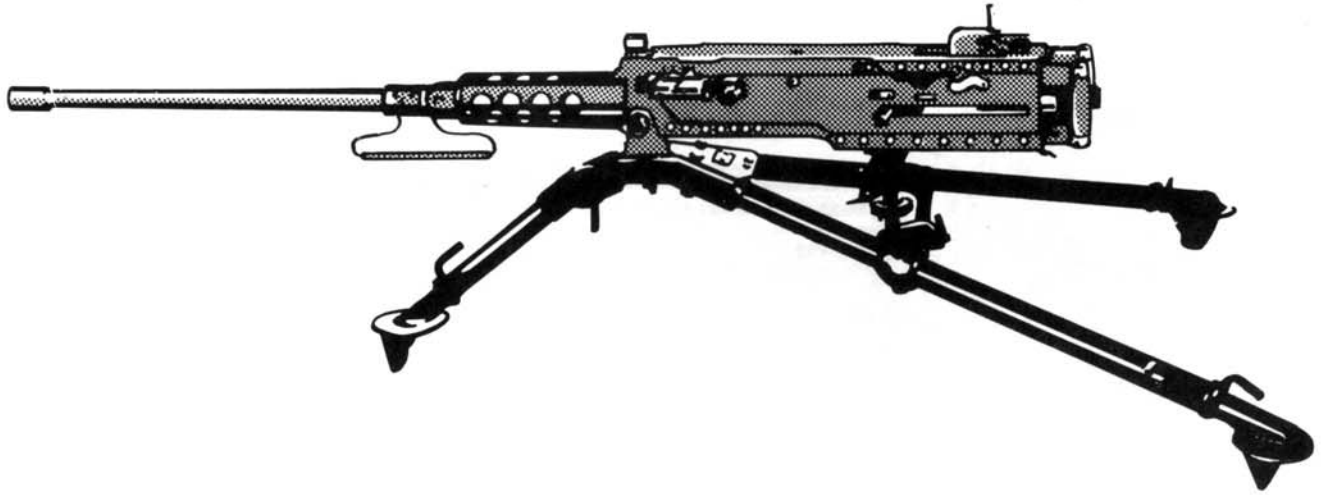
**M2HB (Machinegun):** The M2 Heavy Barrel is the standard heavy machinegun of every western European army. It accepts 105-round belts and may be fired only from a tripod (NHT) or from a vehicle mount.

*Ammo:* .50 BMG  
*Wt:* 51.2 kg (*Tripod Wt:* 19.3)  
*Mag:* 105 belt  
*Price:* \$1600 (V/C)

—Recoil—

<i>Weapon</i>	<i>ROF</i>	<i>Dam</i>	<i>Pen</i>	<i>Blk</i>	<i>Mag</i>	<i>SS</i>	<i>Brst</i>	<i>Rng</i>
M2HB	5	8	2-2-3*	8	105B	3	14	65
tripod	5	8	2-2-3*	8	105B	2	7	150

\*.50 SLAP ammunition has a penetration value of 1-1-2.



## M60

**M60 (Machinegun):** The standard US general-purpose machinegun, a development of the WWII German MG42. It is equipped with a bipod and can also be fired from a tripod (NLT). It accepts 100-round belts.

*Ammo:* 7.62mm N  
*Wt:* 10 kg  
*Mag:* 100 belt  
*Price:* \$1500 (S/R)

—Recoil—

<i>Weapon</i>	<i>ROF</i>	<i>Dam</i>	<i>Pen</i>	<i>Blk</i>	<i>Mag</i>	<i>SS</i>	<i>Brst</i>	<i>Rng</i>
M60	5	4	2-3-Nil	6	100B	1	4	65
bipod	5	4	2-3-Nil	6	100B	1	2	90
tripod	5	4	2-3-Nil	6	100B	1	1	125







## M134 Minigun

**M134 Minigun (Machinegun):** Originally developed as a helicopter armament, the weapon was mounted on a tripod (NHT) as a field expedient and is still used in this way on occasion.

*Ammo:* 7.62mm N

*Wt:* 24 kg

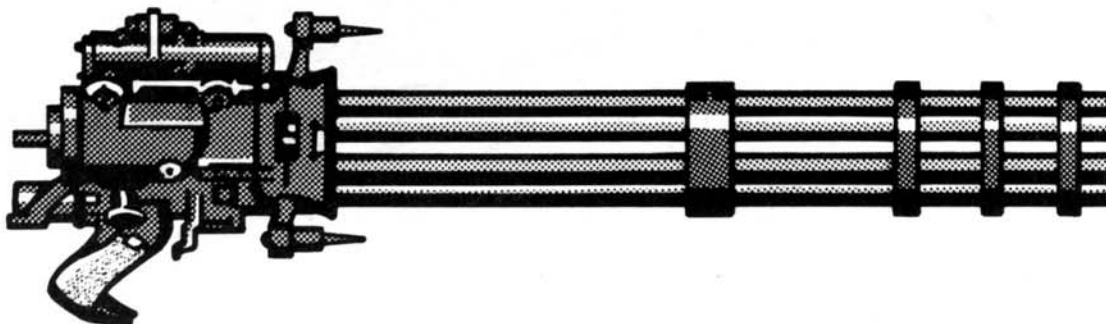
*Mag:* 15 linked 100-round belts

*Price:* \$2400 (S/—)

—Recoil—

<i>Weapon</i>	<i>ROF</i>	<i>Dam</i>	<i>Pen</i>	<i>Blk</i>	<i>Mag</i>	<i>SS</i>	<i>Brst</i>	<i>Rng</i>
M134	100	4	2-3-Nil	4	1500B	*	*	90

\*The M134 is always mounted in a vehicle or on a tripod, and has negligible recoil.



## Browning M1919A4

**Browning M1919A4 (Machinegun):** A lighter, air-cooled version of the Browning M1917A1 machinegun.

*Ammo:* .30-06

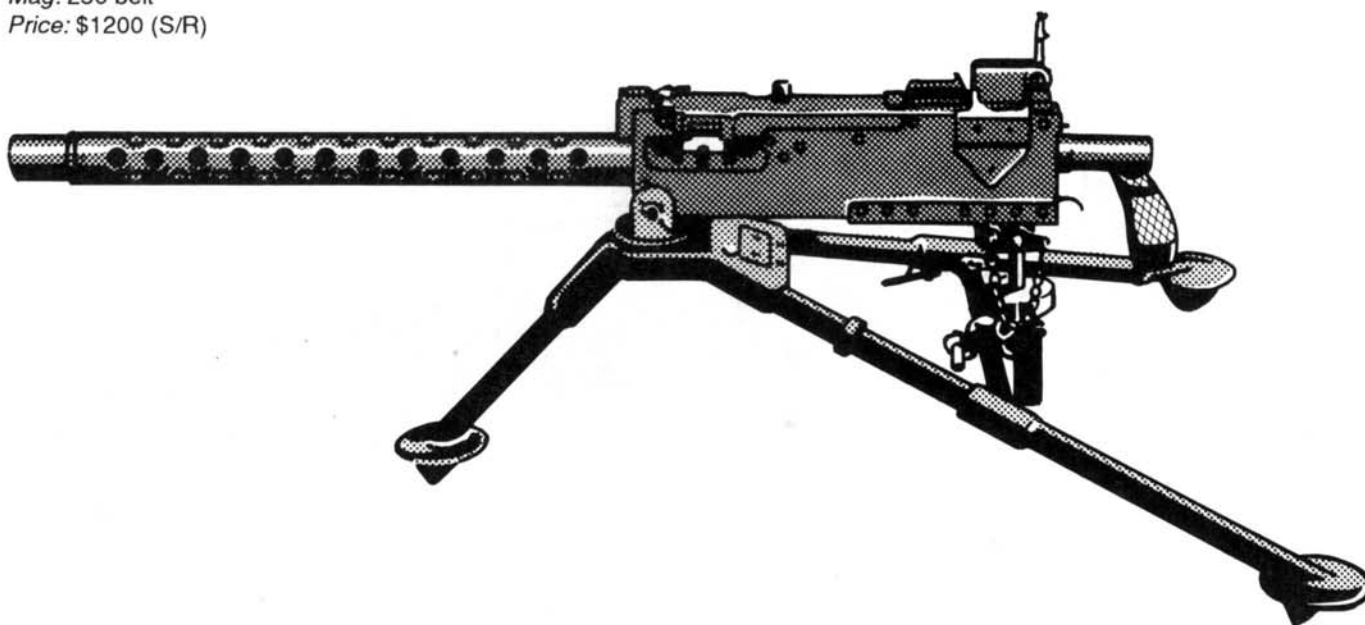
*Wt:* 48.2 kg (*Weapon Wt:* 21.9 kg *Tripod Wt:* 26.3 kg)

*Mag:* 250 belt

*Price:* \$1200 (S/R)

—Recoil—

<i>Weapon</i>	<i>ROF</i>	<i>Dam</i>	<i>Pen</i>	<i>Blk</i>	<i>Mag</i>	<i>SS</i>	<i>Brst</i>	<i>Rng</i>
M1919A4	5	4	2-3-Nil	5	250B	1	4	65
tripod	5	4	2-3-Nil	5	250B	1	2	100





## MAG (MAG-58, L7A2 GPMG)

**MAG (Machinegun):** This weapon (also known as the MAG-58 and as the L7A2 GPMG in British service) is the standard general-purpose machinegun of the Belgian and British armies (as well as others) and is often used as a coaxial MG in US vehicles. It is equipped with a bipod and can also be fired from a tripod (NMT). It accepts 100-round belts.

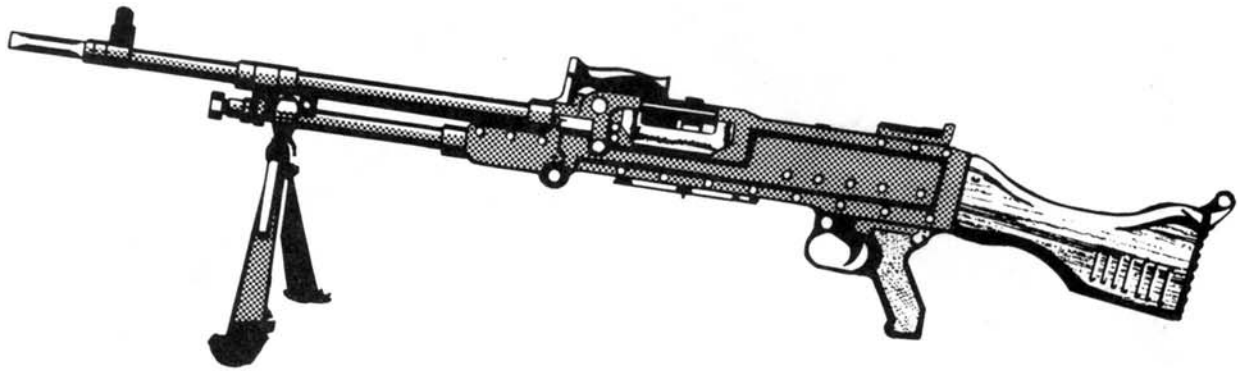
*Ammo:* 7.62mm N

*Wt:* 12 kg

*Mag:* 100 belt

*Price:* \$1500 (S/R)

Weapon	ROF	Dam	Pen	Blk	Mag	—Recoil—		
						SS	Brst	Rng
MAG	10	4	2-3-Nil	6	100B	1	7	65
bipod	10	4	2-3-Nil	6	100B	1	4	90
tripod	10	4	2-3-Nil	6	100B	1	2	125



## MG-3

**MG-3 (Machinegun):** The standard German light machine-gun.

*Ammo:* 7.62mm N

*Wt:* 12 kg

*Mag:* 50 belt

*Price:* \$1200 (S/R)

Weapon	ROF	Dam	Pen	Blk	Mag	—Recoil—		
						SS	Brst	Rng
MG-3	10	4	2-3-Nil	6	50B	1	7	65
bipod	10	4	2-3-Nil	6	50B	1	3	90
tripod	10	4	2-3-Nil	6	50B	1	1	125





## MG-08

**MG-08 (Machinegun):** A German, WWI-vintage, water-cooled machinegun, the MG-08 was the first fully automatic machinegun to be issued on a large scale to any army.

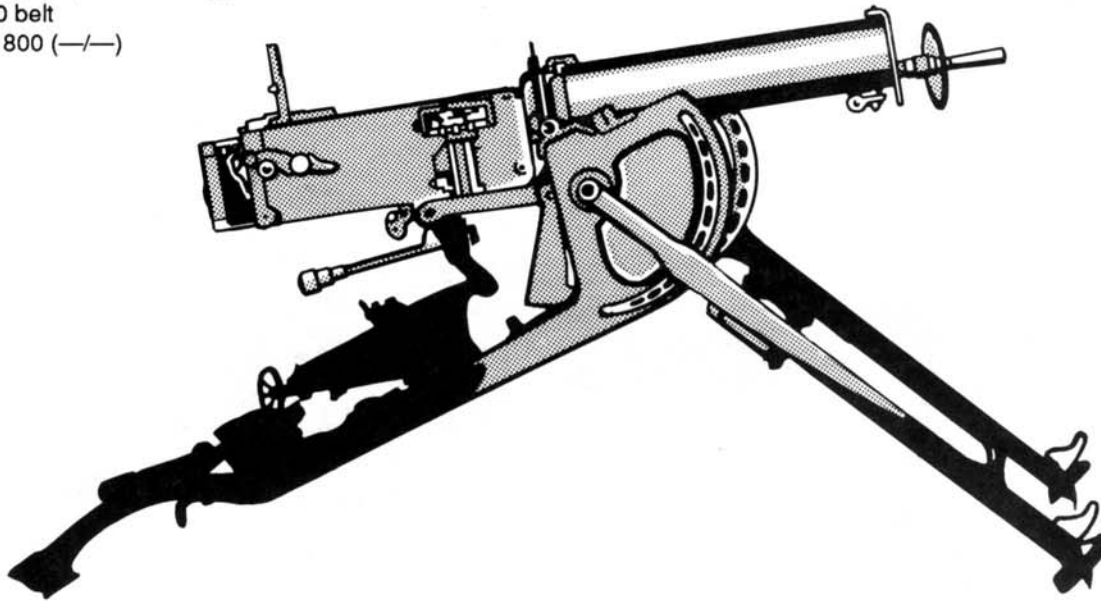
*Ammo:* 8mm M

*Wt:* 33.1 kg (*Tripod Wt:* 33 kg)

*Mag:* 250 belt

*Price:* \$1800 (—/—)

Weapon	ROF	Dam	Pen	Blk	Mag	—Recoil—		
						SS	Brst	Rng
MG-08	5	4	2-3-Nil	6	250B	1	2	65
tripod	5	4	2-3-Nil	6	250B	1	1	135



## MG-34

**MG-34 (Machinegun):** The standard WWI German machinegun, the MG-34 is still available on the world arms market.

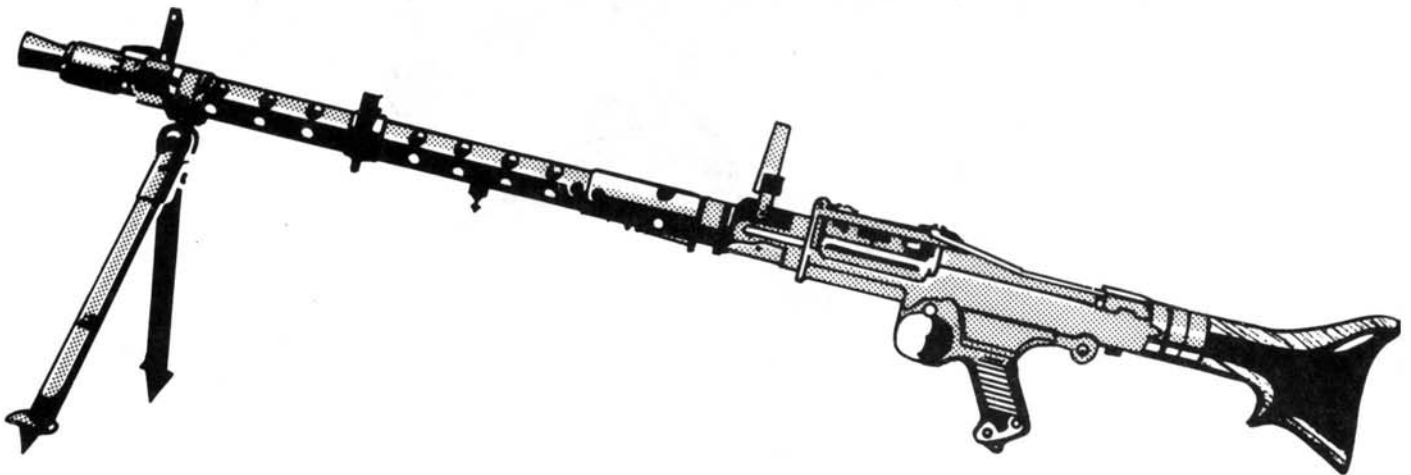
*Ammo:* 8mm M

*Wt:* 12.3 kg (*Tripod Wt:* 19 kg)

*Mag:* 50 belt

*Price:* \$1400 (S/R)

Weapon	ROF	Dam	Pen	Blk	Mag	—Recoil—		
						SS	Brst	Rng
MG-34	10	4	2-3-Nil	6	50B	1	7	65
bipod	10	4	2-3-Nil	6	50B	1	4	90
tripod	10	4	2-3-Nil	6	50B	1	2	125





## MG-42

**MG-42 (Machinegun):** An improved WWI German machinegun, the MG-42 served as the basis for many modern designs, including the US M60.

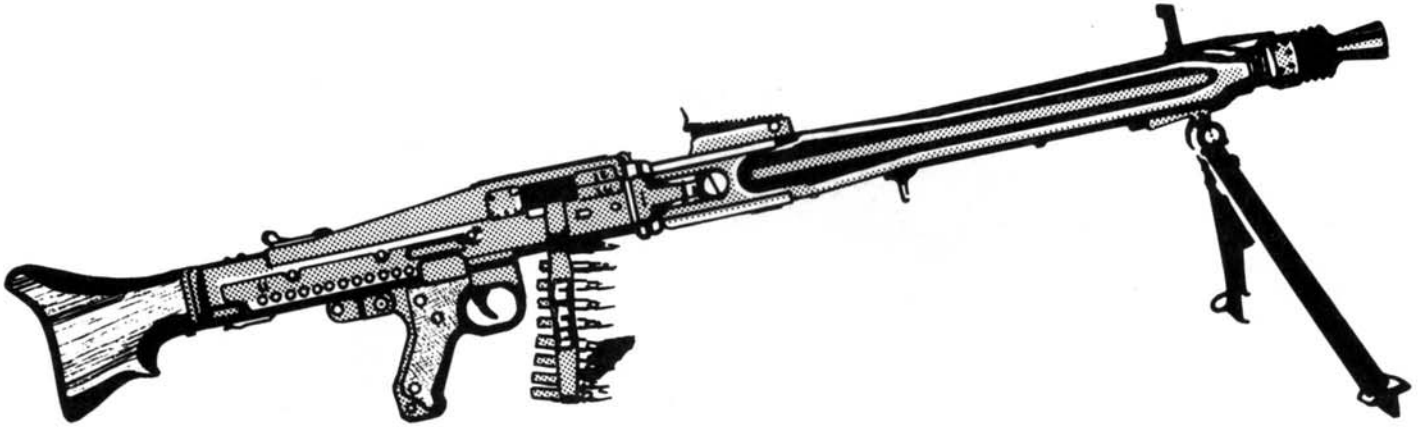
*Ammo:* 8mm M

*Wt:* 12 kg (*Tripod Wt:* 19 kg)

*Mag:* 50 belt

*Price:* \$1400 (S/R)

Weapon	ROF	Dam	Pen	Blk	Mag	—Recoil—		
						SS	Brst	Rng
MG-42	10	4	2-3-Nil	6	50B	2	8	65
bipod	10	4	2-3-Nil	6	50B	1	4	90
tripod	10	4	2-3-Nil	6	50B	1	2	125



## PK

**PK (Machinegun):** The standard Warsaw Pact medium machinegun, the PKMG is usually found mounted on a vehicle. It is equipped with a bipod and can also be fired from a tripod (PLT).

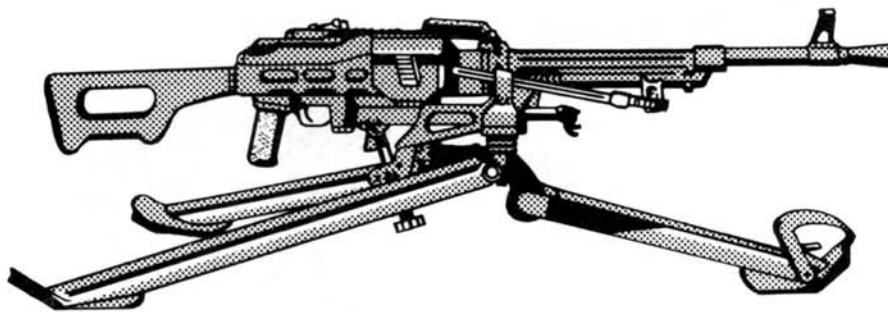
*Ammo:* 7.62mm L

*Wt:* 10 kg

*Mag:* 50 belt

*Price:* \$2000 (R/S)

Weapon	ROF	Dam	Pen	Blk	Mag	—Recoil—		
						SS	Brst	Rng
PK	5	4	2-3-Nil	6	50B	2	5	65
bipod	5	4	2-3-Nil	6	50B	1	2	90
tripod	5	4	2-3-Nil	6	50B	1	1	125





## PKM

**PKM (Machinegun):** This is the field version of the PK machinegun, usually used on a bipod or tripod mount rather than a vehicle.

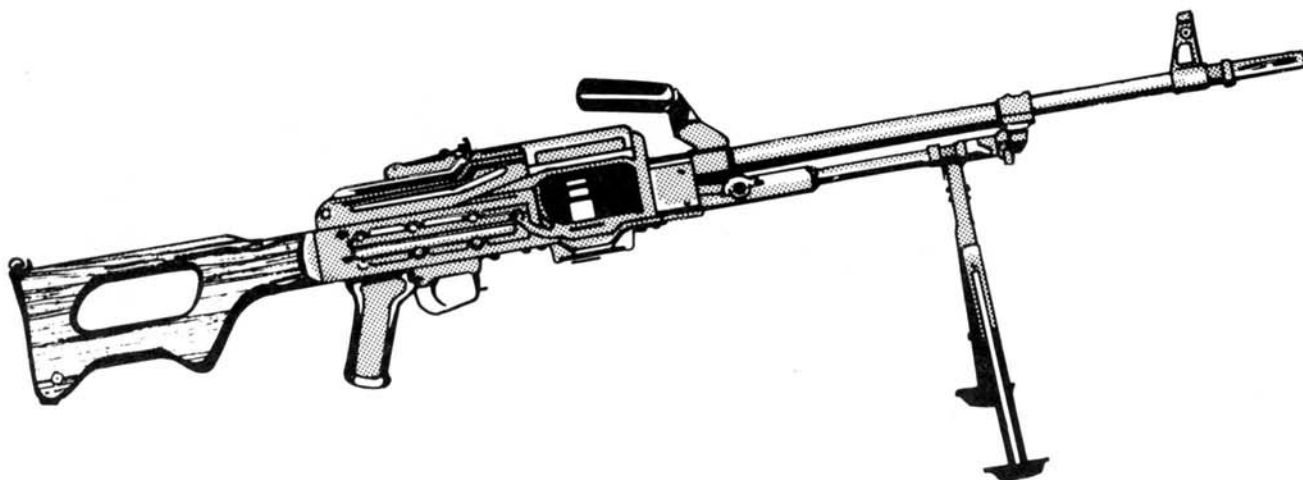
*Ammo:* 7.62mm L

*Wt:* 10 kg

*Mag:* 50 belt

*Price:* \$2000 (R/S)

Weapon	ROF	Dam	Pen	Blk	Mag	—Recoil—		
						SS	Brst	Rng
PKM	5	4	2-3-Nil	6	50B	2	5	65
bipod	5	4	2-3-Nil	6	50B	1	2	90
tripod	5	4	2-3-Nil	6	50B	1	1	125



## RPD

**RPD (Machinegun):** The RPD is the first Soviet machinegun to use the 7.62mm S round. It is obsolete and is now found chiefly in service with Third World armies.

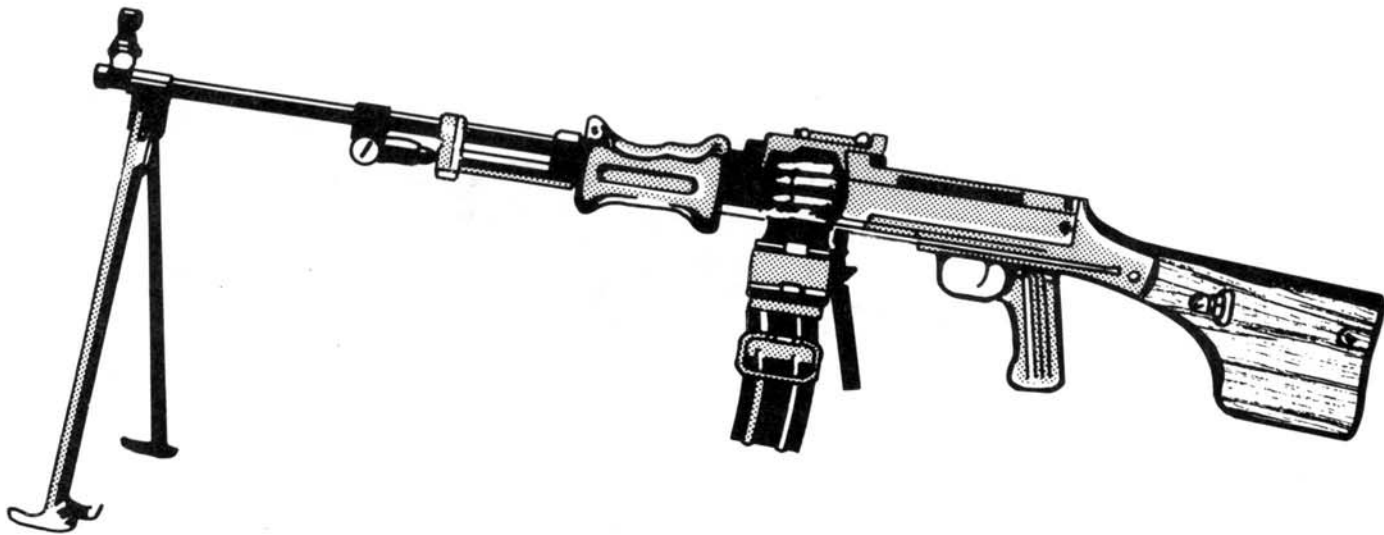
*Ammo:* 7.62mm S

*Wt:* 9 kg

*Mag:* 100 belt

*Price:* \$1000 (R/S)

Weapon	ROF	Dam	Pen	Blk	Mag	—Recoil—		
						SS	Brst	Rng
RPD	10	3	2-Nil	5	100B	1	4	60
bipod	10	3	2-Nil	5	100B	1	2	75





## Bren Mk II

**Bren Mk II (Machinegun):** British WWII-era light machinegun.

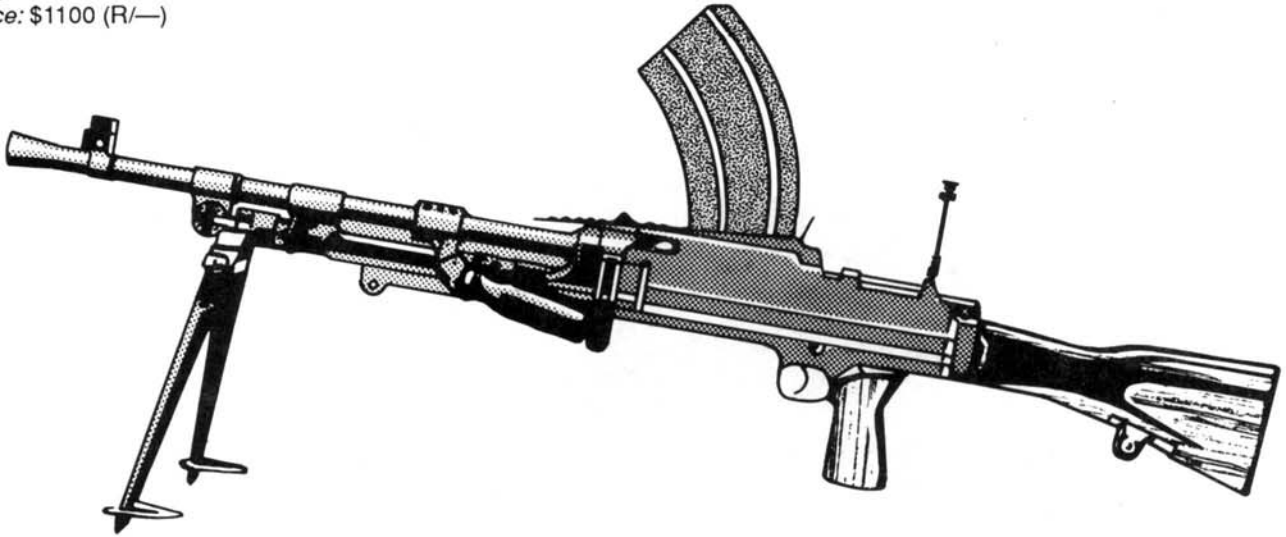
*Ammo:* .303

*Wt:* 11.8 kg

*Mag:* 30 box

*Price:* \$1100 (R/—)

Weapon	ROF	Dam	Pen	Blk	Mag	—Recoil—		
						SS	Brst	Rng
Bren Mk II	5	4	2-Nil	6	30	2	4	60
bipod	5	4	2-Nil	6	30	1	2	75



## Browning M1917A1

**Browning M1917A1 (Machinegun):** This is a water-cooled machinegun developed in WWI but used in improved versions throughout WWII as well.

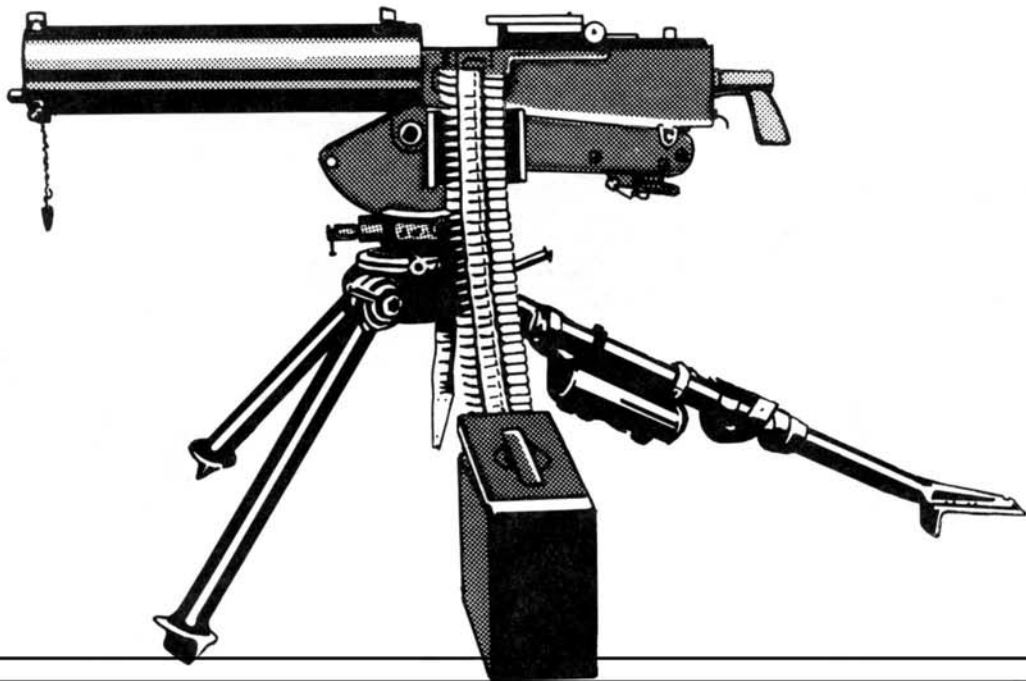
*Ammo:* .30-06

*Wt:* 49.5 kg (*Weapon Wt:* 24.5 kg *Tripod Wt:* 25 kg)

*Mag:* 250 belt

*Price:* \$1300 (S/R)

Weapon	ROF	Dam	Pen	Blk	Mag	—Recoil—		
						SS	Brst	Rng
M1917A1	5	4	2-3-Nil	5	250B	1	2	65
tripod	5	4	2-3-Nil	5	250B	1	1	150





## SG-43

**SG-43 (Machinegun):** An obsolete, Soviet, WWII-vintage machinegun.

*Ammo:* 7.62mm B

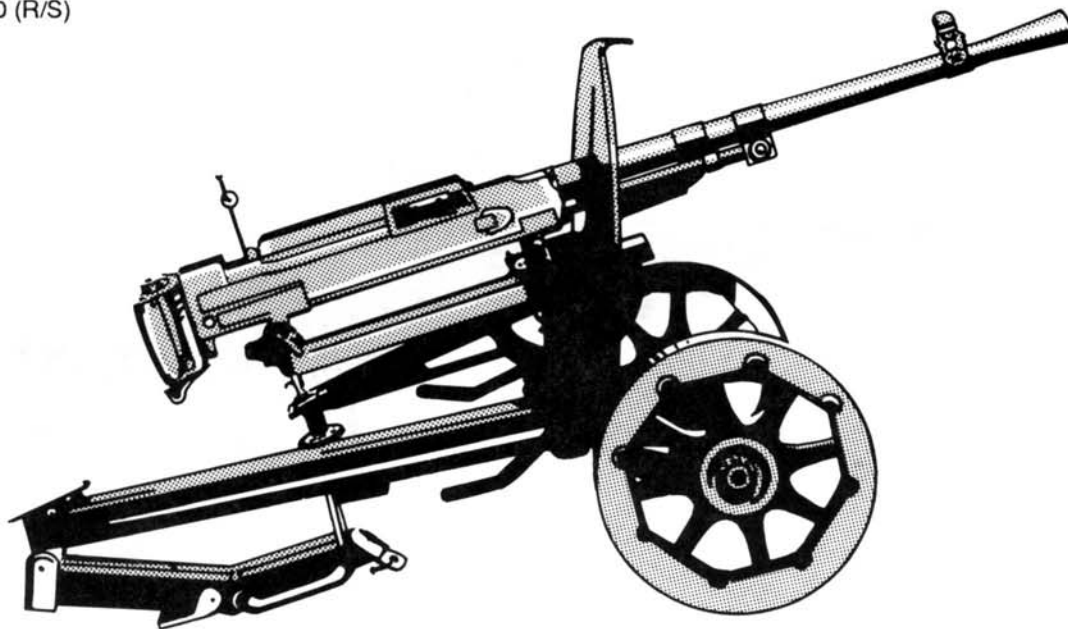
*Wt:* 22.7 kg (*Tripod Wt:* 13.8 kg)

*Mag:* 100 belt

*Price:* \$1100 (R/S)

—Recoil—

<i>Weapon</i>	<i>ROF</i>	<i>Dam</i>	<i>Pen</i>	<i>Blk</i>	<i>Mag</i>	<i>SS</i>	<i>Brst</i>	<i>Rng</i>
SG-43	5	3	2-3-Nil	6	100B	1	4	65
tripod	5	3	2-3-Nil	6	100B	1	4	125



## Stoner LMG

**Stoner LMG (Machinegun):** A light machinegun assembled from the Stoner 63 system.

*Ammo:* 5.56mm N

*Wt:* 5.6 kg

*Mag:* 30 box

*Price:* \$650 (R/—)

—Recoil—

<i>Weapon</i>	<i>ROF</i>	<i>Dam</i>	<i>Pen</i>	<i>Blk</i>	<i>Mag</i>	<i>SS</i>	<i>Brst</i>	<i>Rng</i>
Stoner LMG	10	3	1-Nil	5	30	2	11	60
bipod	10	3	1-Nil	5	30	1	6	75
tripod	10	3	1-Nil	5	30	1	3	90





## Stoner M207 (Mk 23 Commando)

**Stoner M207/Mk 23 Commando (Machinegun):** The M207 machinegun (slightly modified and called the Mk 23 Commando in the US Navy) was the only one of the Stoner 63 system weapons adopted for service by the American armed forces. It saw limited service with SEAL teams and other light raiding forces in Vietnam, where it acquired a reputation for unreliability under adverse conditions.

Because of its adoption by the US Army, the M207/Mk 23 is more readily available than the other weapons of the Stoner 63 system.

*Ammo:* 5.56mm N

*Wt:* 6.5 kg

*Mag:* 100 belt

*Price:* \$850 (S/R)

Weapon	ROF	Dam	Pen	Blk	Mag	—Recoil—		
						SS	Brst	Rng
M207/Mk 23	10	2	1-Nil	4	100B	2	9	50
bipod	10	2	1-Nil	4	100B	1	5	65
tripod	10	2	1-Nil	4	100B	1	2	80



## Steyr AUG LMG

**Steyr AUG LMG (Machinegun):** The Steyr AUG LMG is built on the same action as the AUG rifle and carbine, making it one of the few bullpup-configuration machineguns in service with any army.

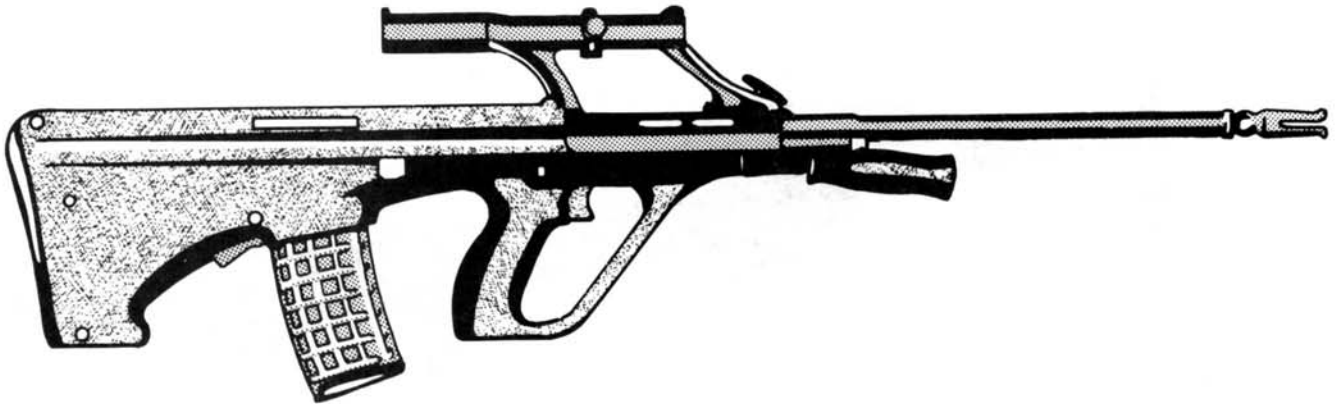
*Ammo:* 5.56mm N

*Wt:* 3.4 kg

*Mag:* 30 box

*Price:* \$1000 (R/—)

Weapon	ROF	Dam	Pen	Blk	Mag	—Recoil—		
						SS	Brst	Rng
AUG LMG	10	3	1-Nil	4	30	4	18	50
bipod	10	3	1-Nil	4	30	2	9	65







## Vickers Mk I

**Vickers Mk I (Machinegun):** The Vickers Mk I is a water-cooled medium machinegun which was in British service from 1912 to the late 1960s.

*Ammo:* .303

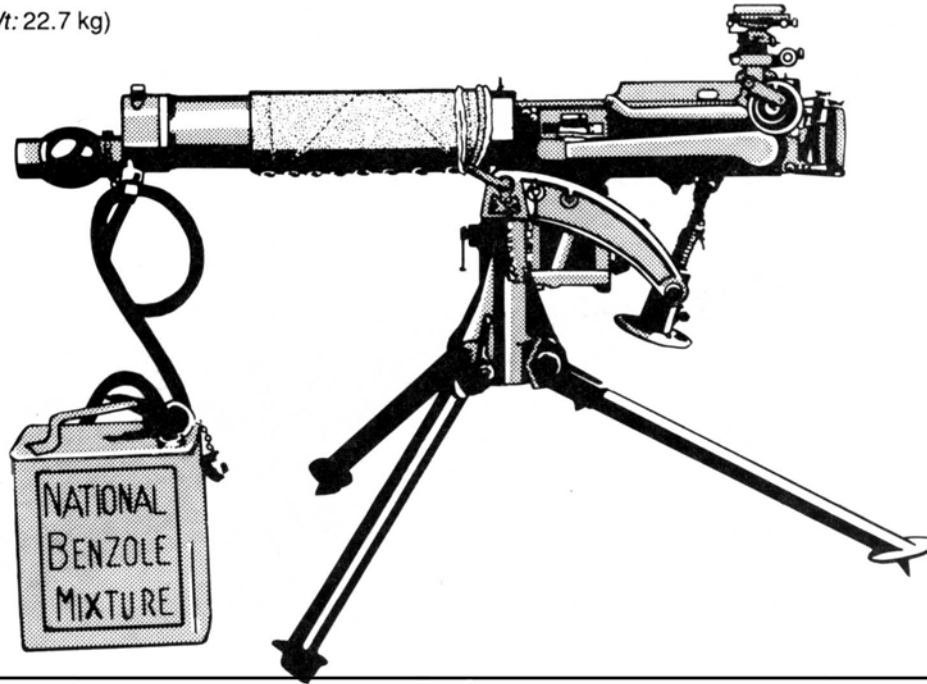
*Wt:* 24.3 kg (*Tripod Wt:* 22.7 kg)

*Mag:* 250 belt

*Price:* \$1350 (S/R)

—Recoil—

<i>Weapon</i>	<i>ROF</i>	<i>Dam</i>	<i>Pen</i>	<i>Blk</i>	<i>Mag</i>	<i>SS</i>	<i>Brst</i>	<i>Rng</i>
Vickers Mk I	5	4	2-Nil	6	250B	1	2	60
tripod	5	4	2-Nil	6	250B	1	1	125



## Vz-59

**Vz-59 (Machinegun):** The standard medium machinegun of the Czech Army, the Vz-59 is a local design which is equipped with a bipod and can also be fired from a tripod (PLT). It accepts 50-round belts.

*Ammo:* 7.62mm L

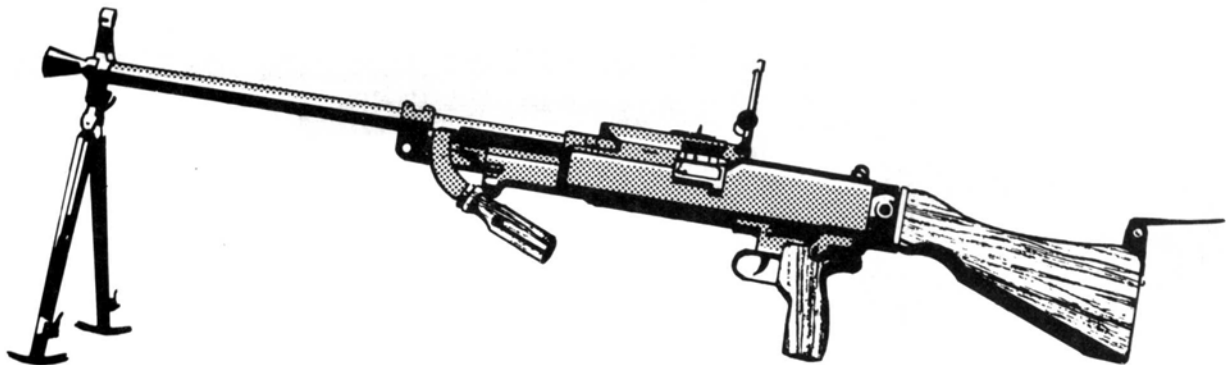
*Wt:* 9 kg

*Mag:* 50 belt

*Price:* \$1500 (R/R)

—Recoil—

<i>Weapon</i>	<i>ROF</i>	<i>Dam</i>	<i>Pen</i>	<i>Blk</i>	<i>Mag</i>	<i>SS</i>	<i>Brst</i>	<i>Rng</i>
Vz-59	10	4	2-3-Nil	6	50B	1	9	65
bipod	10	4	2-3-Nil	6	50B	1	5	90
tripod	10	4	2-3-Nil	6	50B	1	4	125





## AA-12

**AA-12 (Shotgun):** An American-designed automatic shotgun manufactured in Korea in a limited run. The AA-12 was never adopted by any military and was soon surpassed by more advanced designs. It remains a collectors' item of considerable interest.

*Ammo:* 12 gauge

*Wt:* 7.3 kg

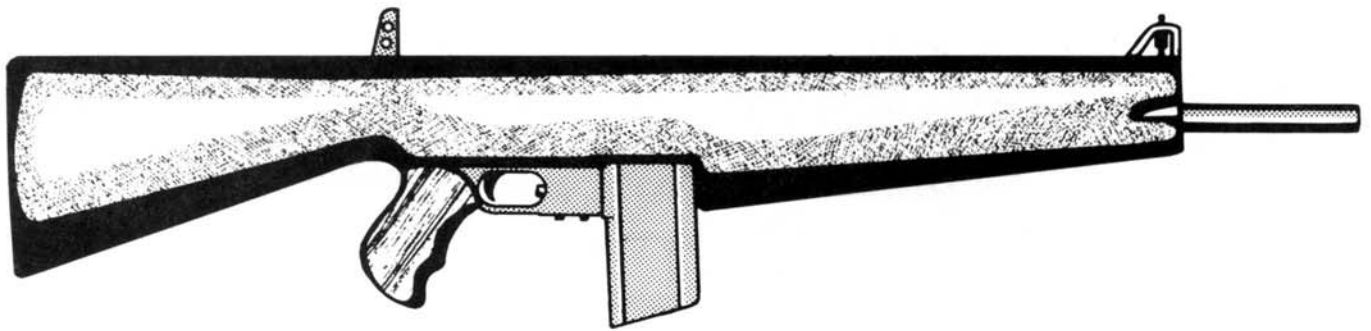
*Mag:* 7 box or 20 drum

*Price:* \$1200 (R/—)

—Recoil—

<i>Weapon</i>	<i>ROF</i>	<i>Dam</i>	<i>Pen</i>	<i>Blk</i>	<i>Mag</i>	<i>SS</i>	<i>Brst</i>	<i>Rng</i>
AA-12	5	4	3-4-Nil	5	7/20	2	5	40
Close	5	9	Nil					
with buckshot*								
Medium	5x10	1	Nil					
with buckshot*								

\*See page 200 of **Twilight: 2000**.



## Browning Autoriot

**Browning Autoriot (Shotgun):** This weapon is a Belgian-built semiautomatic shotgun used by the British in antiguerrilla actions in Malaya after WWII. The weapon is still in common use as a riot gun by police departments worldwide.

*Ammo:* 12 gauge

*Wt:* 4 kg

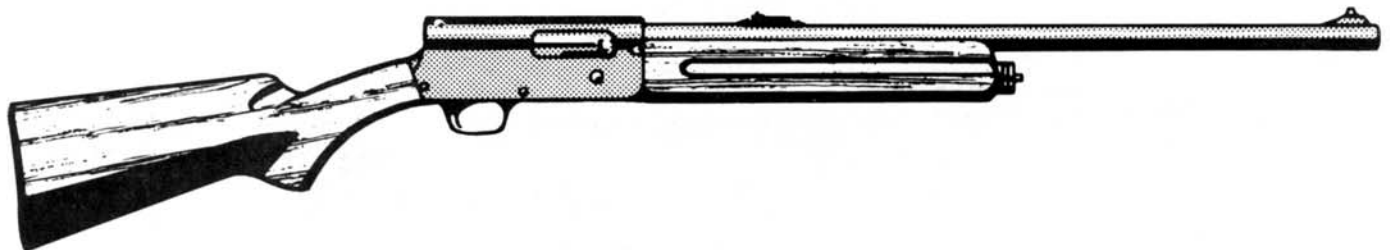
*Mag:* 5 individual

*Price:* \$450 (C/S)

—Recoil—

<i>Weapon</i>	<i>ROF</i>	<i>Dam</i>	<i>Pen</i>	<i>Blk</i>	<i>Mag</i>	<i>SS</i>	<i>Brst</i>	<i>Rng</i>
Autoriot	SA	4	3-4-Nil	5	5i	3	—	40
Close	SA	9	Nil					
with buckshot*								
Medium	10	1	Nil					
with buckshot*								

\*See page 200 of **Twilight: 2000**.





## H&K CAW

**H&K CAW (Shotgun):** The Heckler & Koch CAW (Combat Assault Weapon) is the standard combat shotgun of the German and US Armies (the US weapon being a slightly modified version produced under license by Olin. The CAW is a bullpup-configuration weapon, like the G11.

*Ammo:* 12 gauge

*Wt:* 4 kg

*Mag:* 10 box

*Price:* \$800 (C/R)

—Recoil—

Weapon	ROF	Dam	Pen	Blk	Mag	SS	Brst	Rng
H&K CAW	5†	4	3-4-Nil	4	10	3	8	40
Close	5	9	Nil					
with buckshot*								
Medium	5x10	1	Nil					
with buckshot*								

\*See page 200 of **Twilight: 2000**.

†See page 200 of **Twilight: 2000** for special CAW rule.



## High Standard M10B

**High Standard M10B (Shotgun):** The High Standard M10B is a bullpup-configuration, semiautomatic, gas-operated shotgun manufactured for military and police use. Features include a removable grip, a yoke for firing one-handed (braced against the crook of the elbow), and a fitting to clip a flashlight to the top. The weapon was never manufactured in large numbers and was a collectors' item by the 1970s.

*Ammo:* 12 gauge

*Wt:* 4.3 kg

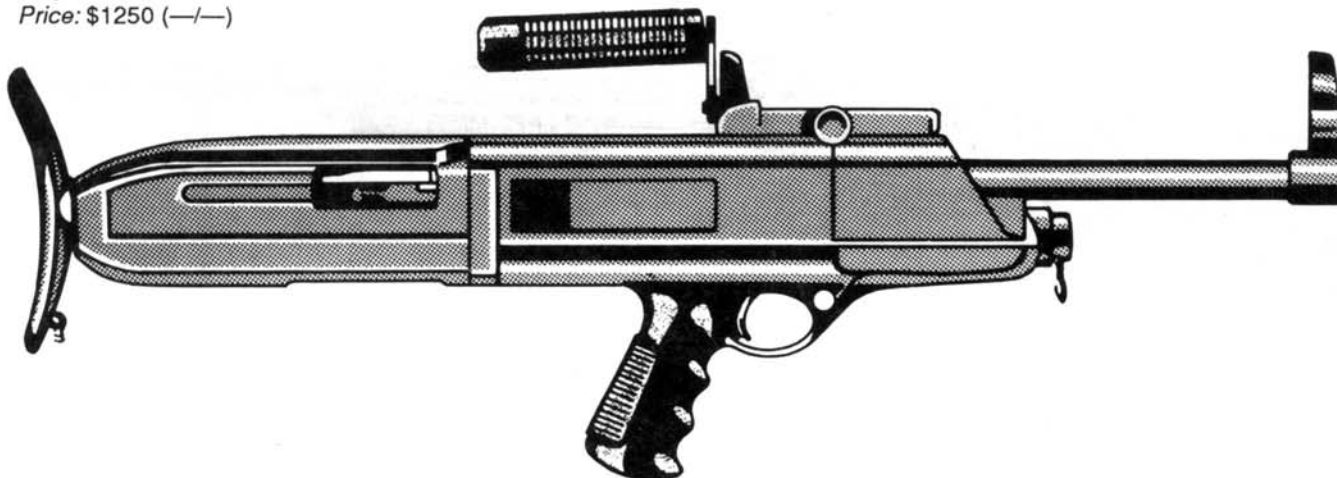
*Mag:* 5 individual

*Price:* \$1250 (—/—)

—Recoil—

Weapon	ROF	Dam	Pen	Blk	Mag	SS	Brst	Rng
HSd M10B	SA	4	3-4-Nil	3	5i	4	—	40
Close	SA	9	Nil					
with buckshot*								
Medium	5x10	1	Nil					
with buckshot*								

\*See page 200 of **Twilight: 2000**.





## Ithaca Autoburglar

**Ithaca Autoburglar (Shotgun):** The Autoburglar was sold as a home defense weapon in the 1920s and 1930s. The whippet-configuration weapon (so called because it was designed for people to "whip it out") was originally manufactured in 20 gauge, but a number were made in 12 gauge (including the model dealt with below).

*Ammo:* 12 gauge

*Wt:* 2.3 kg

*Mag:* 2 individual

*Price:* \$450 (S/R)

—Recoil—

<i>Weapon</i>	<i>ROF</i>	<i>Dam</i>	<i>Pen</i>	<i>Blk</i>	<i>Mag</i>	<i>SS</i>	<i>Brst</i>	<i>Rng</i>
Autoburglar	SA	3	Nil	2	2i	6	—	12
Close	SA	9	Nil					
with buckshot*								
Medium	5x10	1	Nil					
with buckshot*								

\*See page 200 of **Twilight: 2000**.



## M500 ATP8S

**M500 ATP8S (Shotgun):** The Mossberg M500 is a typical pump shotgun designed for police or home defense use rather than hunting.

*Ammo:* 12 gauge

*Wt:* 4 kg

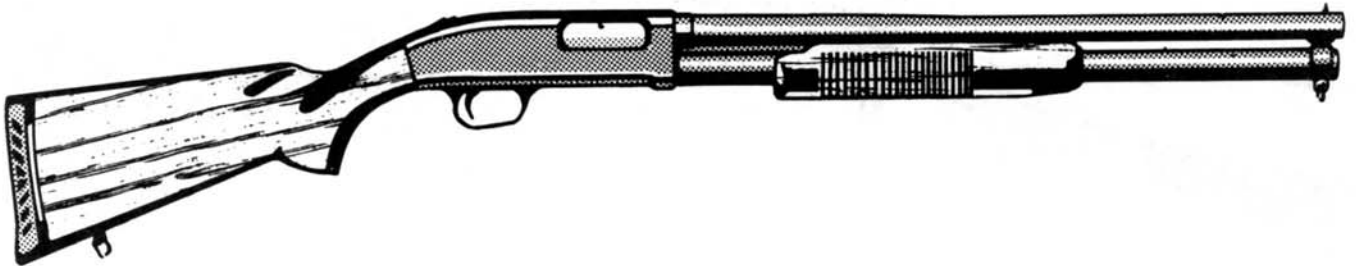
*Mag:* 8 individual

*Price:* \$350 (C/R)

—Recoil—

<i>Weapon</i>	<i>ROF</i>	<i>Dam</i>	<i>Pen</i>	<i>Blk</i>	<i>Mag</i>	<i>SS</i>	<i>Brst</i>	<i>Rng</i>
M500 ATP8S	PA	4	3-4-Nil	5	8i	4	—	40
Close	PA	9	Nil					
with buckshot*								
Medium	5x10	1	Nil					
with buckshot*								

\*See page 200 of **Twilight: 2000**.





## M1917 Trench Gun

**M1917 Trench Gun (Shotgun):** A WWI-era combat shotgun still found in service with some police and paramilitary organizations worldwide.

*Ammo:* 12 gauge

*Wt:* 4 kg

*Mag:* 5 individual

*Price:* \$650 (S/R)

—Recoil—

<i>Weapon</i>	<i>ROF</i>	<i>Dam</i>	<i>Pen</i>	<i>Blk</i>	<i>Mag</i>	<i>SS</i>	<i>Brst</i>	<i>Rng</i>
M1917	PA	4	3-Nil	5	5i	4	—	40
Close	PA	9	Nil					
with buckshot*								
Medium	5×10	1	Nil					
with buckshot*								

\*See page 200 of **Twilight: 2000**.



## Remington 870P

**Remington 870P (Shotgun):** The Remington 870 Wingmaster series is a very popular pump shotgun, originally designed as a hunting weapon. The 870P is a special police version, incorporating a less ornate stock, a shorter barrel, and an extended-capacity magazine.

*Ammo:* 12 gauge

*Wt:* 4 kg

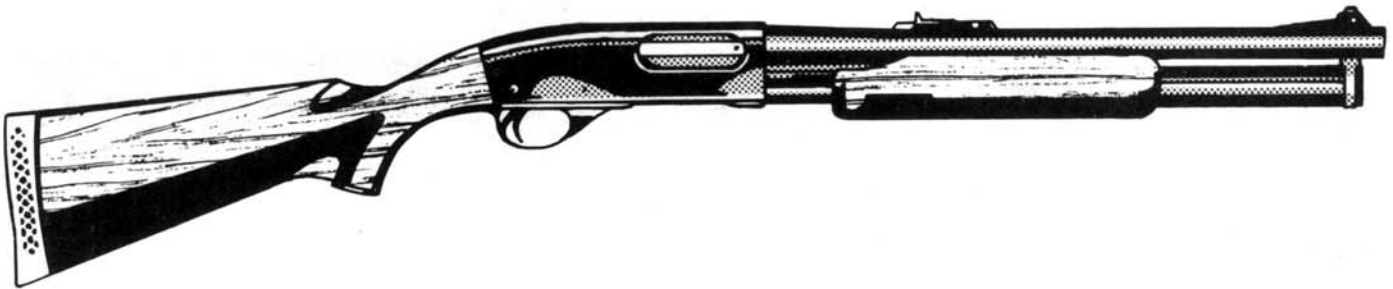
*Mag:* 8 individual

*Price:* \$575 (C/S)

—Recoil—

<i>Weapon</i>	<i>ROF</i>	<i>Dam</i>	<i>Pen</i>	<i>Blk</i>	<i>Mag</i>	<i>SS</i>	<i>Brst</i>	<i>Rng</i>
870P	PA	4	3-4-Nil	4	8i	4	—	40
Close	PA	9	Nil					
with buckshot*								
Medium	5×10	1	Nil					
with buckshot*								

\*See page 200 of **Twilight: 2000**.





## Savage 311-R

**Savage 311-R (Shotgun):** This weapon is one of the last of the double-barreled shotguns designed for police and prison guard use (hence its nickname of the "guard gun"). It is representative of double-barreled shotguns in general.

*Ammo:* 12 gauge  
*Wt:* 3.5 kg  
*Mag:* 2 individual  
*Price:* \$350 (C/S)

—Recoil—

Weapon	ROF	Dam	Pen	Blk	Mag	SS	Brst	Rng
311-R	SA	4	3-4-Nil	5	2i	5	—	40
Close	SA	9	Nil					
with buckshot*								
Medium	5x10	1	Nil					
with buckshot*								

\*See page 200 of *Twilight: 2000*.



## SPAS-15

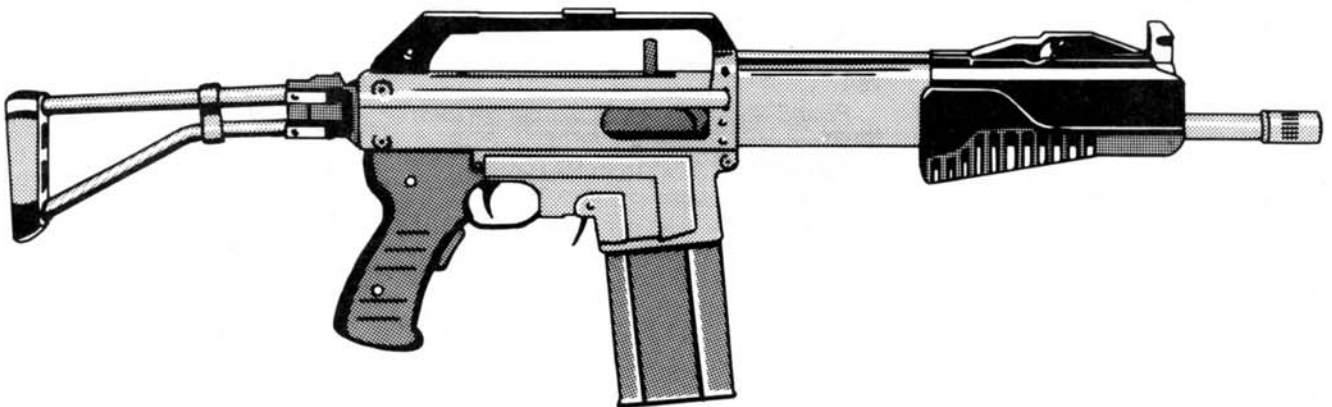
**SPAS-15 (Shotgun):** A French combat shotgun, usable in pump or semiautomatic mode.

*Ammo:* 12 gauge  
*Wt:* 5 kg  
*Mag:* 10 box  
*Price:* \$1100 (S/R)

—Recoil—

Weapon	ROF	Dam	Pen	Blk	Mag	SS	Brst	Rng
SPAS-15	PA/SA	4	3-4-Nil	5	10	4	—	40
Close	PA/SA	9	Nil					
with buckshot*								
Medium	5x10	1	Nil					
with buckshot*								

\*See page 200 of *Twilight: 2000*.





# PRICE LIST

Prices and availability for both **Twilight: 2000** and **Merc: 2000** are shown (those for **Merc: 2000** are in brackets). Remember that the availabilities represented differ between the two games (see the appropriate rules book for a detailed explanation).

Weights per magazine include the weight of the magazine (which is negligible in most cases) and ammunition. Magazines are purchased separately and cost \$1 per three rounds of capacity, except the 1000-round drum for 5.56mm N, which costs \$200.

## SMALL ARMS AND MACHINEGUN AMMUNITION

### Longbow Arrow:

Wt: 3 kg per 24

Price: \$50 per 24 (C/C) [\$36 per 24 (C/C)]

### Crossbow Bolt:

Wt: 3 kg per 24

Price: \$30 per 24 (C/C) [\$36 per 24 (C/C)]

**Loose Black Powder and Ball:** These are most commonly premeasured and wrapped in paper in ready-to-use units.

Wt: 1 kg per 40

Price: \$25 per 40 (C/C) [\$45 per 40 (S/S)]

### 4.7mm CIs (4.7×21mm Caseless):

Wt: 10 kg per case of 1800, 1 kg per 50-round magazine

Price: \$1000 per case (S/R) [\$1300 per case (—/S)]

### 5.45mm B (5.45×39mm Bloc):

Wt: 10 kg per case of 840, 0.5 kg per 30-round magazine, 0.6 kg per 40-round magazine

Price: \$100 per case (C/V) [\$170 per case (S/C)]

### 5.56mm N (5.56×45mm NATO):

Wt: 10 kg per case of 840 or four belts, 0.5 kg per 30-round magazine, 2 kg per 200-round belt, 15 kg per 1000-round drum

Price: \$100 per case, \$200 per empty drum (V/C) [\$160 per case, \$375 per empty drum (V/V)]

### .22 Scamp (5.56×29mm):

Wt: 12 kg per case of 1000

Price: \$100 per case (S/—) [\$300 per case (R/S)]

### .221 Fireball (5.56×31mm):

Wt: 12 kg per case of 1000

Price: \$50 per case (S/—) [\$120 (R/S)]

### .22 LR (5.7×17mmR Long Rifle):

Wt: 20 kg per case of 5000, 0.1 kg per seven-round magazine

Price: \$225 per case (C/S) [\$110 per case (V/V)]

### .22 Magnum (5.7×24.5mmR):

Wt: 25 kg per case of 5000

Price: \$245 per case (R/—) [\$130 per case (C/C)]

### .25 ACP (6.3×15.5mm):

Wt: 6 kg per case of 1000

Price: \$125 per case (C/S) [\$85 per case (C/V)]

### 7.5mm MAS (7.5×54mm MAS):

Wt: 15 kg per case of four belts, 2 kg per 50-round belt

Price: \$30 per case (R/R) [\$80 per case (R/S)]

### 7.62mm T (7.62×25mm Tokarev):

Wt: 35 kg per case of 2500, 0.2 kg per eight-round magazine, 0.6 kg per 32-round magazine

Price: \$250 per case (R/S) [\$375 per case (R/S)]

### 7.62mm T Subsonic (7.62×25mm Tokarev Subsonic):

Wt: 35 kg per case of 2500, 0.2 kg per eight-round magazine, 0.6 kg per 32-round magazine

Price: \$750 per case (R/S) [\$500 (—/R)]

### .30 M (7.62×25mm Mauser):

Wt: 15 kg per case of 1000

Price: \$225 per case (S/S) [\$95 per case (S/C)]

### .30 Carbine (7.62×33mm):

Wt: 15 kg per case of 1000

Price: \$120 per case (C/R) [\$95 per case (C/V)]

### 7.62mm S (7.62×39mm Short):

Wt: 10 kg per case of 600, 1 kg per 30-round magazine

Price: \$80 per case (S/C) [\$80 per case (R/S)]

### .30-30 (7.62×51mmR):

Wt: 20 kg per case of 1000, five loose rounds per kilogram

Price: \$170 per case (C/S) [\$130 per case (V/V)]

### .303 (7.7×56mmR):

Wt: 30 kg per case of 1000, 7 kg per belt of 250

Price: \$195 per case (S/S), \$24 per belt (S/S) [\$150 per case, 38 per belt (S/C)]

### 7.62mm N (7.62×51mm NATO):

Wt: 15 kg per case of 600, 0.75 kg per 20-round magazine, 3 kg per 100-round belt

Price: \$65 per case (C/S) [\$75 per case (C/V)]

### 7.62mm L (7.62×54mmR Long):

Wt: 15 kg per case of 600, 0.3 kg per 10-round magazine, 3 kg per 100-round belt

Price: \$70 per case (S/C) [\$80 per case (C/V)]

### .30-06 (7.62×63mm):

Wt: 15 kg per case of 500, 35 loose rounds per kilogram

Price: \$80 per case (S/R) [\$95 per case (C/C)]

### .32 ACP (7.65×17mmSR):

Wt: 20 kg per case of 2000, 0.1 kg per 10-round magazine, 0.2 kg per 20-round magazine

Price: \$150 per case (S/S) [\$240 per case (V/V)]

### .32 Subsonic (7.65×17mmSR Subsonic):

Wt: 20 kg per case of 2000, 0.1 kg per 10-round magazine, 0.2 kg per 20-round magazine

Price: \$350 per case (R/—) [\$450 per case (—/S)]

### 8mm K (7.92×33mm Kurz):

Wt: 20 kg per case of 1000

Price: \$120 per case (S/R) [\$700 per case (—/R)]

### 8mm M (7.92×57mm Mauser):

Wt: 10 kg per case of 300, 30 rounds per kilogram

Price: \$30 per case (S/S) [\$45 per case (C/V)]

### 8mm P (7.92×95mm Patronen):

Wt: 5 kg per box of 50

Price: \$75 per box (S/R) [\$250 per box (—/R)]

### 8mm Nambu (8×21mm):

Wt: 15 kg per case of 1000

Price: \$250 per case (R/—) [\$55 per case (S/C)]

### .380 ACP (9×17mm):

Wt: 15 kg per case of 1500, 0.1 kg per seven-round magazine

Price: \$125 per case (C/S) [\$240 per case (V/V)]

### 9mm M (9×18mm Makarov):

Wt: 15 kg per case of 1500, 0.1 kg per eight-round magazine

Price: \$200 per case (S/C) [\$200 per case (C/C)]

### 9mm P (9×19mm Parabellum):

Wt: 15 kg per case of 1500, 0.1 kg per eight-round magazine, 0.2 kg per 13-round and 15-round magazine, 0.3 kg per 25-round and 30-round magazine, 0.4 kg per 32-round and 34-round magazine.

Price: \$225 per case (V/C) [\$195 per case (V/V)]

### .38 Special (9×29mmR):

Wt: 15 kg per case of 1000

Price: \$175 per case (S/R) [\$90 per case (V/V)]

### .357 Magnum (9×33mmR):

Wt: 18 kg per case of 1000

Price: \$500 per case (S/R) [\$100 per case (V/V)]

### .44-40 (10.8×33.8mmR):

Wt: 25 kg per case of 1000

Price: 500 per case (R/—) [\$110 per case (S/S)]

### .44 Magnum (11.2×32.8mmR):

Wt: 20 kg per case of 1000

Price: \$550 per case (R/—) [\$120 per case (V/V)]

### .44 Automagnum (10.9×32.9mm):

Wt: 1 kg per box of 50

Price: \$200 per box (—/—) [\$50 per box (R/S)]

### 10mm (10×24mm)

Wt: 21 kg per case of 1000



Price: \$85 per case (R/—) [\$50 per case (S/C)]

**.45 ACP (11.43×23mm):**

Wt: 20 kg per case of 1000, 0.3 kg per seven-round magazine

Price: \$63 per case (S/R) [\$110 per case (V/V)]

**.45-70 Govt (11.6×54mmR):**

Wt: 20 per case of 500

Price: \$120 per case (S/—) [\$95 per case (C/C)]

**.45 WM (11.6×56mm Wildey Magnum):**

Wt: 1 kg per box of 50

Price: \$200 per box (—/—) [\$95 per box (R/S)]

**.455 (11.43×19mmR Webley):**

Wt: 14 kg per case of 500

Price: \$95 per case [\$55 per case (S/C)]

**.458 WBM (11.6×63.5mm Winchester Belted Magnum):**

Wt: 1 kg per box of 50

Price: \$180 per box (R/—) [\$50 per box (S/S)]

**.460 Wby (11.6×74mmR):**

Wt: 1 kg per box of 50

Price: \$175 per box (R/—) [\$65 per box (S/S)]

**12.7mm B (12.7×83mmR Bloc):**

Wt: 25 kg per case of two belts, 11 kg per 50-round belt

Price: \$35 per case (S/C) [\$80 per case (—/S)]

**.50 BMG (12.7×99mm Browning Machinegun):**

Wt: 15 kg per case of one belt, 13 kg per 105-round belt

Price: \$35 per case (C/S) [Price: \$75 per case (S/V)]

**.50 SLAP (12.7×99mm Saboted Light Armor Piercing):**

Wt: 15 kg per case of one belt, 13 kg per 105-round belt

Price: \$60 per case (S/R) [\$85 per case (S/V)]

**.55 Boys (13.9×99mm):**

Wt: 1.5 kg per box of 10

Price: \$250 per box (R/—) [\$125 per box (R/S)]

**.600 Nitro (15.7×76mmR Nitro Express):**

Wt: 1 kg per box of 10

Price: \$250 per box (—/—) [\$130 per box (R/S)]

**14.5mm B (14.5×114mm Bloc):**

Wt: 30 kg per case of one belt, 25 kg per 100-round belt

Price: \$30 per case (S/C) [\$110 per case (—/S)]

**12 Gauge (12 Gauge All-Brass):**

Wt: 15 kg per case of 240, 1 kg per 10-round magazine (15 loose rounds per kilogram)

Price: \$100 per case (C/C) [\$110 per case (V/V)]

**PISTOLS**

**.44 Automag: Price: \$4000 (R/—) [\$750 (R/S)]**

**Beretta M34: Price: \$400 (R/R) [\$350 (C/C)]**

**Browning .25: Price: \$100 (C/R) [\$400 (C/C)]**

**Browning HP-35: Price: \$150 (S/R) [\$475 (C/C)]**

**Colt Detectives Special: Price: \$375 (C/R) [\$400 (C/C)]**

**Colt M1911A1: Price: \$100 (C/S) [\$275 (C/C)]**

**Colt Police Positive/10: Price: \$450 (C/R) [\$400 (C/C)]**

**Colt Police Positive/12.7: Price: \$450 (C/R) [\$420 (C/C)]**

**Colt Police Positive/15: Price: \$475 (C/R) [\$425 (C/C)]**

**Colt Python/6.6: Price: \$650 (S/R) [\$425 (C/C)]**

**Colt Python/10.2: Price: \$650 (S/R) [\$430 (C/C)]**

**Colt Python/15.2: Price: \$700 (S/R) [\$450 (C/C)]**

**Colt Python/20.3: Price: \$725 (S/R) [\$450 (C/C)]**

**COP .357: Price: \$250 (S/—) [\$375 (R/D)]**

**High Standard .22: Price: \$250 (C/R) [\$300 (V/V)]**

**High Standard Derringer: Price: \$75 (S/R) [\$200 (S/C)]**

**HK-4: Price: \$180 (S/R) [\$400 (C/C)]**

**HK P9S: Price: \$700 (C/S) [\$500 (C/C)]**

**M9 (Beretta M92S): Price: \$150 (V/S) [\$540 (C/C)]**

**M14 Nambu: Price: \$550 (S/S) [\$450 (S/S)]**

**M1933 Tokarev: Price: \$100 (R/C) [\$350 (—/C)]**

**Mamba: Price: \$450 (S/S) [\$400 (S/C)]**

**Mauser HSc: Price: \$350 (S/S) [\$450 (S/S)]**

**Mauser M1896: Price: \$1000 (R/R) [\$450 (S/C)]**

**P7 M13: Price: \$150 (V/S) [\$450 (S/C)]**

**P-08 Luger/10.2: Price: \$800 (C/S) [\$450 (C/C)]**

**P-08 Luger/15.2: Price: \$850 (S/R) [\$475 (S/S)]**

**P-08 Luger/19: Price: \$925 (R/—) [\$600 (R/R)]**

**PA-15: Price: \$150 (S/R) [\$450 (S/C)]**

**P-64: Price: \$170 (R/S) [\$400 (—/S)]**

**PM Makarov: Price: \$150 (S/V) [\$400 (—/C)]**

**Remington XP-100: Price: \$350 (R/—) [\$750 (S/S)]**

**Ruger P-85: Price: \$500 (C/S) [\$550 (S/C)]**

**Ruger Blackhawk: Price: \$500 (R/—) [\$450 (S/S)]**

**S&W Model 29/16.5: Price: \$1000 (R/—) [\$430 (C/C)]**

**S&W Model 29/21.3: Price: \$1000 (R/—) [\$450 (C/C)]**

**S&W Model 29/10.2: Price: \$900 (R/—) [\$450 (C/C)]**

**S&W Model 19/6.6: Price: \$350 (R/—) [\$350 (C/C)]**

**S&W Model 19/10.2: Price: \$350 (R/—) [\$350 (C/C)]**

**S&W Model 19/15.3: Price: \$375 (R/—) [\$350 (C/C)]**

[\$350 (C/C)]

**S&W Model 27/9: Price: \$450 (R/—) [\$365 (C/C)]**

**S&W Model 27/13: Price: \$450 (R/—) [\$365 (C/C)]**

**S&W Model 27/15: Price: \$475 (R/—) [\$375 (C/C)]**

**S&W Model 27/21: Price: \$475 (R/—) [\$375 (C/C)]**

**S&W Model 36: Price: \$315 (S/R) [\$300 (C/C)]**

**S&W Model 39, 439, 639: Price: \$485 (C/R) [\$435 (C/C)]**

**S&W Model 59, 459, 659: Price: \$495 (C/R) [\$475 (C/C)]**

**SIG P-210-2: Price: \$550 (S/R) [\$550 (S/C)]**

**Steyr GB80: Price: \$750 (S/R) [\$550 (S/C)]**

**Vz-52: Price: \$100 (R/S) [\$400 (—/S)]**

**Walther P-38: Price: \$650 (R/R) [\$500 (C/V)]**

**Walther PPK: Price: \$500 (S/R) [\$475 (C/V)]**

**Webley Mk 6: Price: \$350 (S/R) [\$550 (SS)]**

**Webley Fosbury: Price: \$450 (R/—) [\$675 (S/S)]**

**Welrod .32: Price: \$800 (—/—) [\$1200 (—/R)]**

**Wildey .45 WM: Price: \$1200 (—/—) [\$1500 (—/R)]**

**Wildey .45 WM: Price: \$1200 (—/—) [\$1500 (—/R)]**

**Wildey .45 WM: Price: \$1200 (—/—) [\$1500 (—/R)]**

**Wildey .45 WM: Price: \$1200 (—/—) [\$1500 (—/R)]**

**Wildey .45 WM: Price: \$1200 (—/—) [\$1500 (—/R)]**

**Wildey .45 WM: Price: \$1200 (—/—) [\$1500 (—/R)]**

**Wildey .45 WM: Price: \$1200 (—/—) [\$1500 (—/R)]**

**Wildey .45 WM: Price: \$1200 (—/—) [\$1500 (—/R)]**

**Wildey .45 WM: Price: \$1200 (—/—) [\$1500 (—/R)]**

**Wildey .45 WM: Price: \$1200 (—/—) [\$1500 (—/R)]**

**Wildey .45 WM: Price: \$1200 (—/—) [\$1500 (—/R)]**

**Wildey .45 WM: Price: \$1200 (—/—) [\$1500 (—/R)]**

**Wildey .45 WM: Price: \$1200 (—/—) [\$1500 (—/R)]**

**Wildey .45 WM: Price: \$1200 (—/—) [\$1500 (—/R)]**

**Wildey .45 WM: Price: \$1200 (—/—) [\$1500 (—/R)]**

**Wildey .45 WM: Price: \$1200 (—/—) [\$1500 (—/R)]**

**Wildey .45 WM: Price: \$1200 (—/—) [\$1500 (—/R)]**

**Wildey .45 WM: Price: \$1200 (—/—) [\$1500 (—/R)]**

**Wildey .45 WM: Price: \$1200 (—/—) [\$1500 (—/R)]**

**Wildey .45 WM: Price: \$1200 (—/—) [\$1500 (—/R)]**

**Wildey .45 WM: Price: \$1200 (—/—) [\$1500 (—/R)]**

**Wildey .45 WM: Price: \$1200 (—/—) [\$1500 (—/R)]**

**Wildey .45 WM: Price: \$1200 (—/—) [\$1500 (—/R)]**

**Wildey .45 WM: Price: \$1200 (—/—) [\$1500 (—/R)]**

**Wildey .45 WM: Price: \$1200 (—/—) [\$1500 (—/R)]**

**Wildey .45 WM: Price: \$1200 (—/—) [\$1500 (—/R)]**

**Wildey .45 WM: Price: \$1200 (—/—) [\$1500 (—/R)]**

**Wildey .45 WM: Price: \$1200 (—/—) [\$1500 (—/R)]**

**Wildey .45 WM: Price: \$1200 (—/—) [\$1500 (—/R)]**

**Wildey .45 WM: Price: \$1200 (—/—) [\$1500 (—/R)]**

**Wildey .45 WM: Price: \$1200 (—/—) [\$1500 (—/R)]**

**Wildey .45 WM: Price: \$1200 (—/—) [\$1500 (—/R)]**

**Wildey .45 WM: Price: \$1200 (—/—) [\$1500 (—/R)]**

**Wildey .45 WM: Price: \$1200 (—/—) [\$1500 (—/R)]**

**Wildey .45 WM: Price: \$1200 (—/—) [\$1500 (—/R)]**

**Wildey .45 WM: Price: \$1200 (—/—) [\$1500 (—/R)]**

**Wildey .45 WM: Price: \$1200 (—/—) [\$1500 (—/R)]**

**Wildey .45 WM: Price: \$1200 (—/—) [\$1500 (—/R)]**

**Wildey .45 WM: Price: \$1200 (—/—) [\$1500 (—/R)]**

**Wildey .45 WM: Price: \$1200 (—/—) [\$1500 (—/R)]**

**Wildey .45 WM: Price: \$1200 (—/—) [\$1500 (—/R)]**

**Wildey .45 WM: Price: \$1200 (—/—) [\$1500 (—/R)]**

**Wildey .45 WM: Price: \$1200 (—/—) [\$1500 (—/R)]**

**Wildey .45 WM: Price: \$1200 (—/—) [\$1500 (—/R)]**

**Wildey .45 WM: Price: \$1200 (—/—) [\$1500 (—/R)]**





**MP-5SD3:** Price: \$1200 (S/R) [\$800 (—/R)]  
**MP18-1:** Price: \$900 (—/—) [\$750 (—/S)]  
**MP-40:** Price: \$1200 (R/R) [\$850 (—/R)]  
**MPI-69:** Price: \$450 (S/R) [\$750 (—/S)]  
**OSS M3:** Price: \$800 (R/—) [\$1250 (—/—)]  
**Owen Mk I:** Price: \$650 (R/—) [\$800 (—/R)]  
**PM-9:** Price: \$550 (S/R) [\$750 (—/S)]  
**PM-63:** Price: \$350 (R/S) [\$750 (—/S)]  
**PPSh-41:** Price: \$300 (—/S) [\$600 (—/V)]  
**PPSh-43:** Price: \$300 (R/C) [\$600 (—/V)]  
**Rexim F.V. Mk 4:** Price: \$650 (S/—) [\$600 (—/V)]  
**S&W M76:** Price: \$800 (S/—) [\$700 (—/S)]  
**Sidewinder SS-1:** Price: \$750 (S/—) [\$850 (—/S)]  
**Stechkin:** Price: \$750 (R/S) [\$700 (—/S)]  
**Sten Mk II:** Price: \$450 (C/S) [\$650 (R/S)]  
**Sten Mk IIS:** Price: \$750 (S/—) [\$900 (—/R)]  
**Thompson M1:** Price: \$1000 (S/R) [\$750 (R/S)]  
**Thompson M1928:** Price: \$1500 (R/—) [\$1600 (—/S)]  
**Type 64:** Price: \$750 (—/S) [\$700 (—/S)]  
**Uzi:** Price: \$500 (V/C) [\$500 (—/V)]  
**VP-70:** Price: \$800 (S/R) [\$710 (R/C)]  
**Vz-24:** Price: \$300 (R/S) [\$750 (—/R)]  
**Vz-61/62 Skorpion:** Price: \$250 (R/S) [\$800 (—/R)]

## RIFLES

**.50 Hawken:** Price: \$300 (S/R) [\$320 (C/C)]  
**.69-Caliber Musket:** Price: \$200 (S/R) [\$350 (C/C)]  
**.460 Weatherby:** Price: \$750 (R/—) [\$950 (S/S)]  
**AK-47:** Price: \$150 (C/V) [\$350 (S/V)]  
**AKM:** Price: \$300 (C/V) [\$500 (—/C)]  
**AKMS:** Price: \$325 (S/C) [\$575 (—/C)]  
**AKMR:** Price: \$300 (C/V) [\$550 (—/C)]  
**AK-74:** Price: \$300 (C/C) [\$500 (—/V)]  
**ALC-2:** Price: \$12,000 (—/—) [\$25,000 (—/—)]  
**AR-7 Explorer:** Price: \$100 (C/R) [\$150 (V/V)]  
**AR-10:** Price: \$500 (S/—) [\$1000 (—/R)]  
**AR-18:** Price: \$450 (S/R) [\$1000 (—/R)]  
**AR-70:** Price: \$500 (R/—) [\$650 (—/S)]  
**AR-180:** Price: \$400 (S/R) [\$600 (S/S)]  
**Arisaka Model 99:** Price: \$450 (R/—) [\$350 (R/R)]  
**BAR M1918A2:** Price: \$875 (R/—) [\$900 (—/S)]  
**Barret M82 "Light Fifty":** Price: \$2200 (R/—) [\$2700 (—/S)]  
**BM-59:** Price: \$550 (R/R) [\$650 (S/C)]  
**C3:** Price: \$400 (R/R) [\$1200 (C/C)]  
**De Lisle Carbine:** Price: \$1000 (R/—) [\$1200 (—/R)]  
**Enfield No. 4, Mk I:** Price: \$300 (C/S) [\$320 (S/C)]  
**FA-MAS:** Price: \$500 (R/—) [\$750 (—/S)]  
**FG-42:** Price: \$750 (R/—) [\$1850 (—/R)]  
**FN-CAL:** Price: \$500 (S/R) [\$700 (—/V)]  
**FN-LAR:** Price: \$600 (S/R) [\$650 (—/V)]  
**FN-FNC:** Price: \$500 (C/S) [\$700 (—/V)]

**FN-LAR/L1A1:** Price: \$600 (S/R) [\$650 (S/C)]  
**FR-F1:** Price: \$900 (R/—) [\$1250 (—/R)]  
**G3:** Price: \$500 (C/R) [\$1400 (—/S)]  
**G11:** Price: \$400 (S/R) [\$800 (—/S)]  
**Galil ARM:** Price: \$600 (S/S) [\$1300 (S/C)]  
**H&H .600 Nitro:** Price: \$1500 (—/—) [\$4500 (—/—)]  
**HK 33A2:** Price: \$345 (S/R) [\$1000 (—/C)]  
**KAR-98K:** Price: \$300 (S/R) [\$275 (S/C)]  
**L42:** Price: \$400 (R/R) [\$1200 (C/C)]  
**L85 IWS:** Price: \$1500 (R/R) [\$750 (—/R)]  
**M1 Carbine:** Price: \$600 (C/S) [\$350 (C/C)]  
**M1 Garand:** Price: \$600 (C/S) [\$850 (S/C)]  
**M2 Carbine:** Price: \$800 (S/R) [\$1100 (R/C)]  
**M14:** Price: \$400 (S/R) [\$1100 (S/C)]  
**M16A1:** Price: \$400 (C/S) [\$550 (R/V)]  
**AR-15:** \$300 (C/S) [\$450 (V/V)]  
**M16A2:** Price: \$400 (V/C) [\$650 (—/V)]  
**M21:** Price: \$400 (S/R) [\$1200 (C/C)]  
**M40:** Price: \$700 (R/R) [\$1100 (C/C)]  
**M249 SAW:** Price: \$1500 (S/R) [\$750 (—/C)]  
**MAS-49/56:** Price: \$550 (C/R) [\$750 (R/S)]  
**Mk I Boys Antitank Rifle:** Price: \$1200 (R/—) [\$1900 (—/S)]  
**MKS:** Price: \$475 (R/—) [\$1100 (R/S)]  
**MP-44:** Price: \$750 (S/R) [\$1500 (—/R)]  
**Nagant M1891/30:** Price: \$275 (—/S) [\$195 (S/C)]  
**PSG1:** Price: \$600 (R/R) [\$1250 (—/C)]  
**PTRS-41:** Price: \$1200 (—/R) [\$1400 (—/R)]  
**PzB 39:** Price: \$1450 (R/—) [\$1900 (—/R)]  
**Remington M700:** Price: \$450 (C/R) [\$950 (C/C)]  
**RPK:** Price: \$1000 (S/C) [\$675 (—/C)]  
**RPK-74:** Price: \$1000 (S/C) [\$700 (—/C)]  
**Ruger Mini-14/AC-556:** Price: \$250 (C/R) [\$450 (C/C)]  
**AC-556:** \$550 (S/—) [\$650 (C/C)]  
**SIG 510-4:** Price: \$550 (S/R) [\$700 (S/C)]  
**SKS:** Price: \$250 (S/C) [\$375 (S/V)]  
**Springfield 1873:** Price: \$250 (S/R) [\$1250 (R/R)]  
**Springfield 1903:** Price: \$450 (R/—) [\$950 (S/S)]  
**Stoner M22 Rifle:** Price: \$650 (R/—) [\$900 (—/R)]  
**Stoner M23 Carbine:** Price: \$650 (R/—) [\$900 (—/R)]  
**Steyr AUG:** Price: \$400 (S/R) [\$650 (S/C)]  
**Steyr AUG Carbine:** Price: \$400 (S/R) [\$700 (S/C)]  
**Steyr SSG-69:** Price: \$450 (S/R) [\$1100 (R/S)]  
**SVD:** Price: \$500 (R/S) [\$1100 (—/S)]  
**Type 64:** Price: \$650 (R/—) [\$950 (S/C)]  
**Valmet M71:** Price: \$450 (R/—) [\$700 (—/S)]  
**Vz-54:** Price: \$300 (R/R) [\$950 (C/C)]  
**Vz-58V:** Price: \$375 (S/C) [\$750 (—/S)]  
**WA-2000:** Price: \$2000 (R/—) [\$1800 (R/R)]  
**Winchester M70 African:** Price: \$475 (S/S) [\$800 (C/C)]  
**Winchester 1873:** Price: \$600 (S/R) [\$1100 (R/R)]  
**Winchester 1894:** Price: \$275 (C/R) [\$450 (C/C)]

## MACHINEGUNS

**AAT-52:** Price: \$400 (R/R) [\$1800 (—/R)]  
**Bren L2A4:** Price: \$1200 (R/—) [\$900 (—/C)]  
**Bren Mk II:** Price: \$1100 (R/—) [\$1000 (—/S)]  
**Browning M1917A1:** Price: \$1300 (S/R) [\$2000 (—/R)]  
**Browning M1919A4:** Price: \$1200 (S/R) [\$1800 (—/R)]  
**Colt M1895/1914:** Price: \$1800 (—/—) [\$3500 (—/R)]  
**DP:** Price: \$850 (—/S) [\$4000 (—/R)]  
**DShK:** Price: \$2000 (C/V) [\$4200 (—/C)]  
**FMM 24/29:** Price: \$1100 (R/—) [\$2100 (—/R)]  
**HK-21:** Price: \$1200 (S/R) [\$2400 (—/C)]  
**KPV:** Price: \$3000 (S/C) [\$4500 (—/S)]  
**L86A1 LSW:** Price: \$1500 (R/R) [\$850 (—/S)]  
**Lewis Mk I:** Price: \$1200 (S/R) [\$1100 (R/R)]  
**M2146-Pac:** Price: \$10,000 (R/R) [\$7500 (—/R)]  
**M2HB:** Price: \$1600 (V/C) [\$3500 (—/V)]  
**M60:** Price: \$1500 (S/R) [\$1800 (—/V)]  
**M134 Minigun:** Price: \$2400 (S/—) [\$8500 (—/R)]  
**MAG:** Price: \$1500 (S/R) [\$1700 (—/V)]  
**MG-3:** Price: \$1200 (S/R) [\$1800 (—/C)]  
**MG-08:** Price: \$1800 (—/—) [\$1800 (—/R)]  
**MG-34:** Price: \$1400 (S/R) [\$1400 (—/S)]  
**MG-42:** Price: \$1400 (S/R) [\$1600 (—/R)]  
**PK:** Price: \$2000 (R/S) [\$1600 (—/V)]  
**PKM:** Price: \$2000 (R/S) [\$1600 (—/V)]  
**RPD:** Price: \$1000 (R/S) [\$650 (—/S)]  
**SG-43:** Price: \$1100 (R/S) [\$1500 (—/R)]  
**Stoner LMG:** Price: \$650 (R/—) [\$1800 (—/R)]  
**Stoner M207/Mk 23 Commando:** Price: \$850 (S/R) [\$1600 (—/S)]  
**Steyr AUG LMG:** Price: \$1000 (R/—) [\$1200 (—/S)]  
**Vickers Mk I:** Price: \$1350 (S/R) [\$1800 (—/R)]  
**Vz-59:** Price: \$1500 (R/R) [\$2000 (—/S)]

## SHOTGUNS

**AA-12:** Price: \$1200 (R/—) [\$1800 (—/—)]  
**Browning Autoriot:** Price: \$450 (C/S) [\$300 (S/S)]  
**H&K CAW:** Price: \$800 (C/R) [\$750 (—/S)]  
**High Standard M10B:** Price: \$1250 (—/—) [\$1800 (—/—)]  
**Ithaca Autoburglar:** Price: \$450 (S/R) [\$175 (S/S)]  
**M500 ATP8S:** Price: \$350 (C/R) [Price: \$350 (V/V)]  
**M1917 Trench Gun:** Price: \$650 (S/R) [Price: \$550 (—/S)]  
**Remington 870P:** Price: \$575 (C/S) [Price: \$350 (V/V)]  
**Savage 311-R:** Price: \$350 (C/S) [Price: \$250 (V/V)]  
**SPAS-15:** Price: \$1100 (S/R) [Price: \$550 (S/C)]

# Infantry WEAPONS of the World



**Infantry Weapons of the World** covers over 220 pistols, rifles, submachineguns, machineguns, and shotguns, each illustrated in full detail, and each fully rated for use with **Twilight: 2000** and any other game using the same basic system (**Merc: 2000**, **Dark Conspiracy**, and **Cadillacs and Dinosaurs**).

This handbook includes all major military weapons in service with the world's armies in the year 2000, plus older weapons from past conflicts: WWII, WWI, and even some weapons of the colonial wars of the last century!

Weapons covered in this book include the Automag .44, Colt Detectives Special, HK 4, Mauser M1896, P-08 Luger (three varieties), Remington XP-100, Welrod .32, M-45 Carl Gustav, M3A1, Madson M50, S&W M76, VP-70, AR-7 Explorer, BM-59, H&H .600 Nitro Double Express Elephant gun, .45 Martini-Henry, Stoner 63 series (Carbine, rifle, LMG and HMG), H&K CAW, SPAS-15 and hundreds more.

**Infantry Weapons of the World** will prove a valuable resource for the modern weapons enthusiast (player or referee, gamer or nongamer).

TM2002 12.00



Made in U.S.A.  
Printed in U.S.A.

ISBN 1-55878-068-8  
Copyright©1990 GDW, Inc.  
All rights reserved.

**Twilight: 2000™** is a trademark of  
GDW, Inc.



## TWILIGHT: 2000

SINCE 1973

# GDW GAMES

P.O. Box 1646  
Bloomington, IL 61702-1646