

# Trade and Commerce Between The Stars

Interstellar trade is the transport of commercial goods from one world to another in the pursuit of profit. Successful traders obey the ancient First Law of Trade:

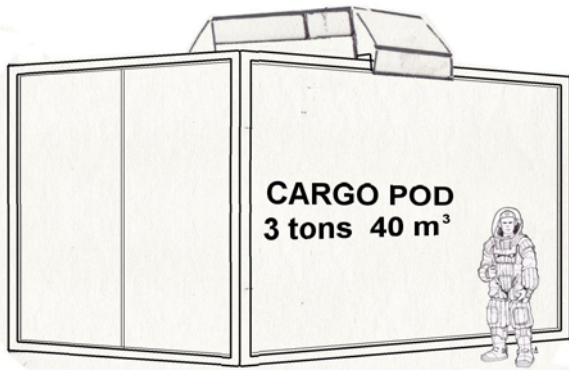
Buy Low And Sell High

Merchants who follow it make money, grow rich, and become successful; those who don't go bankrupt.

The **Traveller** Trade and Commerce system details a consistent process for encountering and pricing trade goods, and for determining the market for goods on a variety of worlds.

## THE VOCABULARY OF INTERSTELLAR TRADE

Several terms and concepts are used on the trade and commerce flowcharts.



### CARGO POD

**Lot.** A lot is a single shipment of goods. A lot is identified by its displacement in tons (one ton equals 13.5 cubic meters). Each lot is a distinct shipment and may not be subdivided. A ship captain may accept or reject specific lots based on their best fit within the ship's cargo hold. A lot can be freight, cargo or mail.

**Freight.** Freight is a lot owned by someone who either wishes to retain ownership of it or has contracted to sell the goods to someone and is shipping them to the buyer. An individual who is shipping his personal effects to a new home is shipping freight. A company that has sold an air/raft to a customer and is now shipping it to that customer is shipping freight.

The standard price for shipping freight is Cr1,000 per ton. The payment covers shipment in the cargo hold from the current location to the starship's next port of call.

**Mail.** A lot of communications information being shipped under special contract for a postal or express service. Governments operate postal services; private companies operate express services.

Mail is always of incidental size (never major or minor sized lots). To be allowed to carry mail, the ship must be armed

and the crew must include a gunner. Each mail lot always consists of at least one ton. Each ton of mail is shipped at a premium rate of Cr15,000.

**Cargo.** Cargo consists of goods purchased by a speculator or merchant and carried on the speculation that they can be sold at the destination for a profit. A merchant who buys laser rangefinders on an industrial world and ships them to another world in hopes of selling them for a profit is shipping cargo. A merchant who has empty cargo hold space and fills it with locally purchased goods rather than ship empty space is shipping cargo.

A speculator may buy goods and ship them; he considers the lot cargo, while the ship carrying the goods considers it freight. A starship captain may find insufficient freight available on a world and may become a speculator and buy cargo in order to fill unused freight space. The first law of cargo trade is an ancient one: buy low and sell high. Those who follow it make money, grow rich and become successful. Those who don't, go bankrupt.

**Merchant.** A merchant is an individual or company that operates a cargo-carrying starship. Merchants may also be speculators.

**Speculator.** A speculator is an individual or company that buys goods in the expectation that they can be sold at a profit later (and usually on another world). A speculator does not necessarily operate a cargo-carrying starship; a speculator may ship its cargo as freight and pay standard freight rates in order to transport the goods to a profitable market.

**Source World.** A source world is the world where goods originate. The UWP of the Source World is required before goods can be purchased and it is necessary in order to determine the costs of the goods when engaging in speculative trade.

**Market World.** A market world is the world where goods are to be shipped; it is the market or destination for trade goods. The UWP of the Market World is required before the goods can be sold and it is necessary in order to determine the selling price of the goods when engaging in speculative trade.

**Cost.** Cost is the amount paid for a cargo at its Source World.

**Price.** Price is the amount a cargo is expected to sell for at its market world. It is possible to compute the base price of

goods before arriving at a world simply by analyzing the market world's UWP. Careful merchants do this to predict the relative appeal of goods at various accessible worlds.

Price is an expected price; selling price is the actual price determined at the moment of sale.

**Selling Price.** Selling price is the amount a cargo actually sells for at its market world using the Actual Value Table. Selling price for goods varies as the actual market place conditions fluctuate and it is determined at the moment of sale using the Actual Value Table.

**Delivery.** A lot is delivered when it is off-loaded at a location comparable to the location where it was loaded. Goods taken in orbit at the Source World are delivered when off-loaded in orbit at the Destination World. Goods loaded on the surface at the Source World are delivered when offloaded on the surface at the Destination World.

This custom applies to both cargo and passengers.

Surface delivery for cargo taken on in orbit calls for a 10% surcharge.

### THE CARGO ID

The Cargo ID is a basic identification of the economic nature (but not the precise identity) of trade goods in commerce. It is based on the Trade Classifications and the Tech Levels of the worlds involved.

TL	Trade Classes	Cost
8	Na Ni Po	Cr3800

**Identifying Cargos.** A cargo is identified by stating its source world's Tech Level, Trade Classifications, and Cost. Tech Level is derived directly from the source world UWP. All trade classifications possible are determined and then listed together (the determination of trade classifications is covered below). Cost is determined using the cost system.

For example, a cargo from Regina in the Spinward Marches could be identified as: A Ri Cr7000.

A cargo from Zivije in the Spinward Marches is identified as: B Hi FI Cr8100.

A cargo from Chronor (a Zhodani world in the Spinward Marches) is identified as: C Na Ni Ic Cr8200 Zh.

Lower cost cargos are always preferable because they allow more potential profit.

**Further Identifying Cargos.** Using the Cargo ID, match one of the Trade Classifications to the Random Trade Goods Charts and roll 1D. The result is the basic type of trade goods. Again roll 1D and determine the specific trade goods. Finally, match one other Trade Classification to the Trade Goods Detail List to further add detail to the goods.

For example, a goods from Zivije have a Cargo ID = B Hi FI Cr8100. The only Trade Classification that matches the Random Trade Goods Table is FI, which appears on Random Trade Goods 2. Roll 1D (=3 = Pharma). Roll 1D again (=5 = Antibiotics). Finally, the other Trade Classification for the Cargo is Hi, which is on the Trade Goods Detail List (Hi = Processed).

The goods from Zivije are Processed Antibiotics.

### SPECIAL RULES

The following special rules also apply to trade activity.

**Estimating Sale Price.** Trader skill allows the partial prediction of the results of the Actual Value Table throws. Use of Trader skill allows one die on the Actual Value Table

(the table uses two dice) to be thrown early; knowing one of the dice results beforehand allows a more accurate prediction of the sale price of goods. For example, the two dice throw can range from 2 to 12 and indicates actual values between 40 percent and 170 percent of base price. If one die is thrown early and it is a 6, then the character knows that the final actual value must range between 7 and 12 (or between 100 percent and 170 percent).

**Accelerated Delivery:** In standard practice, local merchants are allowed four days to deliver goods to a waiting ship. It is possible to accelerate delivery of goods by paying a premium of 10% of base cost per day of advanced delivery.

**Required Execution:** Once goods are offered for sale and the Actual Value Table is consulted, the goods must be sold at the price indicated. A sale may be stopped at any point before the dice are rolled on the Actual Value Table.

This invites a strategy for cautious merchant players (with Trader skill): roll the dice on the Actual Value Table individually. If the first die is exceptionally low, the deal can be abandoned.

### PLAYER SKILLS

The skills of the characters involved in transactions can influence trade situations.

**Steward.** Steward is a Mod on the roll for available High Passengers.

**Admin:** Admin is a Mod on the roll for available Mid Passengers.

**Streetwise.** Streetwise is a Mod on the roll for available Low Passengers.

**Broker:** Broker is about negotiating the best deal between a buyer and a seller. In its simplest form, the Broker transaction entails very little work while earning a commission. The value of the broker is the knowledge and expertise he provides when problems or exceptions arise.

Broker is a DM (equals half Broker Skill, rounded up) on the Actual Value Table (to a maximum of Mod of +4). Brokers receive 5% of the final sale price per DM.

**Liaison:** Liaison allows consultation and bargaining with local freight handlers in order to receive a larger allotment of freight. Liaison is a Mod for available Freight.

**Trader:** Trader provides an understanding of market processes and is used in Estimating Sales Price.

### TYPES OF INTERSTELLAR TRADE GOODS

Interstellar trade goods may be of any type, but some are more probable than others. Ordinary materials (such as cast iron ingots) are probably not prime interstellar trade goods.

**The Broad Classifications:** Interstellar Trade Goods fall into 14 types.

**Raws.** One of the basic trade goods in interstellar trade is raw materials. The exploration of space is driven in part by a search for essential raw or basic materials in the hopes that they can be found and made available at competitive prices, even after the cost of their transportation over interstellar distances.

**Rares.** Many trade goods are in demand because of their rarity or relative scarcity.

**Consumables.** Consumables are food and drink, and may also include aromatics. Consumable **foods** are fashionable gourmet goods (caviar), common flavorings (spices), or staples (basic life-sustaining food) necessary on worlds where it cannot be produced economically. Consumable **drinks** are flavored waters, alcoholic beverages, milks,

nectars, syrups, decoctions such as teas, or exotic wines. Consumable aromatics are smell sources or food enhancers.

**Data.** Data is Information which can be consumed, reproduced, or processed on the Market World. It includes: Books, tapes, software, creative works, wafers, and scientific data.

**Pharma.** Pharmaceuticals and Medicine for the treatment of all manner of illness or disability is a prime candidate for interstellar trade. Some medicines may be produced in excess quantity and made available for export in order to help bring down the costs of overall production. Some medicines are best processed or manufactured close to the source of raw materials; the finished product is then exported to other worlds.

**Novelties.** New products never before seen (or sometimes just never before marketed) are powerful commodities in the marketplace.

**Imbalances.** When the cost of producing a trade item is very low, then it can be shipped between the stars and sold at a market for less than it costs to produce locally. Worlds with low labor costs often produce goods that can be sold interstellar at a profit.

**Valuta.** Sometimes shipments between worlds consist of money itself. Interstellar trade eventually produces an inequity in the balance of payments for specific worlds, and to bring the economy back into equilibrium, a physical exchange of money is required.

**Samples.** Newly discovered, created, or manufactured items may be transported to other worlds for analysis or evaluation.

**Uniques.** Some products are unique: they cannot be easily synthesized or reproduced. an exotic wood that adds interest as a decoration or flavor as when burned for cooking; an herb which provides a special flavoring; an iridescent feather which becomes fashionable for a limited time; a pebble that makes gentle noises when heated.

**Manufactureds.** Worlds with established factories export their products to worlds which cannot produce them.

**Scrap/Waste.** The trash of some worlds can become the valued treasure on others.

**Entertainments.** Creative works and diversions are always in demand.

**Red Tape.** Because there are interstellar governments, the products of their bureaucracy must be distributed through its area of authority. Red tape shipments include originals or reproducible masters of regulations, files of information about citizenry and companies, and reports.

Much of the red tape shipped between worlds is not sold; it is transported as cargo to archives or to other offices of the bureaucracy. But some of the information can be purchased and then shipped to other worlds where it can be sold to businesses or organizations which can use it. For example, tax records might indicate likely customers for specific goods; reports might provide clues (after analysis) for prediction of future

## THE TRADE GOODS CHARTS

This section is not intended to be comprehensive: interstellar trade necessarily encompasses thousands and thousands of distinct trade goods. Nevertheless, the random trade goods creation system can produce 36 different goods per basic trade classification, and thousands of distinct trade goods before it consistently repeats.

The following are 259 examples of probable trade goods.

<b>Types</b>	Bulk Copper	Emotion Lighting	Lek Emitters	Repulsant
Raws	Bulk Dusts	Encapulants	Livestock	Respirators
Rares	Bulk Ephemerals	Envirosuits	Luminescents	Restoratives
Consumables	Bulk Fats	Ephemerals	Mag Emitters	Robots
Data	Bulk Fibers	Excretions	Magnetics	Secretions
Pharma	Bulk Foodstuffs	Exotic Aromatics	Mandates	Seedstock
Novelties	Bulk Gases	Exotic Crystals	Masterpieces	Self-Defender
Imbalances	Bulk Herbs	Exotic Fauna	Meat Delicacies	Self-Solving Puzzles
Valuta	Bulk Ices	Exotic Flora	Mechanicals	ShimmerCloth
Samples	Bulk Iron	Exotic Fluids	Meson Barriers	Silanes
Uniques	Bulk Metals	Exotic Sauces	Metals	Silver
Manufactureds	Bulk Minerals	Expert Systems	Minerals	Skin Tones
Scrap/Waste	Bulk Nitrates	Famous Wafers	Money Cards	Slow Drug
Entertainments	Bulk Nutrients	Fast Drug	Monumental Art	Sludges
	Bulk Organics	Fauna	Motile Plants	Software
	Bulk Oxygen	Fermented Fluids	Museum Items	Soothants
	Bulk Particulates	Filter Mask	Music	Sophont Cuisine
<b>Examples</b>	Bulk Pelts	Fine Aromatics	Musical Instruments	Sophont Hats
Accountings	Bulk Petros	Fine Art	Navigators	Soundmakers
Adhesives	Bulk Pharma	Fine Carpets	Nectars	Sparx
Aged Meats	Bulk Precipitates	Fine Dusts	Noisemakers	Spices
Allotropes	Bulk Protein	Fine Furs	Non-Fossil Carcasses	Stimulants
Alloys	Bulk Spices	Fission Suppressant	Nostrums	Strange Crystals
Anagathics	Bulk Synthetics	Flavored Air	Novel Flavorings	Strange Seeds
ANIFX Blocker	Bulk Textiles	Flavored Drinks	Nutraceuticals	Synchronizations
ANIFX Dyes	Bulk Woods	Flavored Waters	Obsoletes	Tactiles
ANIFX Emitters	Candies	Flavorings	Ores	Textiles
Antibiotics	Carbons	Fiill	Organic Gems	Thorium
Antidotes	Catalysts	Flora	Organic Polymers	Tisanes
Antifungals	Chelates	Flowers	Osmancies	Unusual Dusts
Anti-Matter	Coinage	Fluidic Timepieces	Painkillers	Unusual Fluids
Antique Art	Cold Light Blocks	Fluidics	Palliatives	Unusual Ices
Antiques	Cold Sleep Pills	Foodstuffs	Panacea	Unusual Minerals
Antiseptics	Cold Welders	Fossils	Parts	Unusual Rocks
Antitoxins	Collectible Books	Fruit Delicacies	Pattern Creators	Upgrades
Antivirals	Collectibles	Gallium	Pelts	Uranium
Archeologicals	Combat Drug	Gemstones	Percept Blockers	Used Goods
Armor	Combination	Germanes	Pheromones	Vacc Gems
Aromatics	Contemplatives	Gold	Photonics	Vacc Suit Patches
Art	Corrosives	Gravitics	Pigments	Vacc Suit Scents
Artifacts	Counter-prions	Group Symbols	Platinum	Variable Tattoos
Attractants	Crafted Devices	Hats	Plutonium	VHDUS Blocker
Aware Blockers	Cryo Alloys	Health Foods	Polymer Sheets	VHDUS Dyes
Awareness Pinger	Cryogems	Heat Pumps	Polymers	VHDUS Emitters
Backups	Currency	Holo Sculpture	Pseudo Hormones	Vision Suppressant
Biologics	Databases	Holo-Companions	Radioactive Ores	Wafers
Branded Clothes	Decoctions	Hummingbird	Radioactives	Warm Leather
Branded Devices	Decorations	Improvements	Radium	Weapons
Branded Drinks	Delicacies	Incenses	Rare Minerals	Wines
Branded Foods	Disposables	Incomprehensibles	Raw Sensings	Writings
Branded Oxygen	Dominants	Insidiants	Reactive Plants	
Branded Tools	Drinkable Lymphs	Insulants	Reactive Woods	
Branded Vacc Suits	Dupe Masterpieces	Iridium Sponge	Reclamation Suits	
Bulk Abrasives	Echostones	Isotopes	Recordings	
Bulk Carbon	Educationals	Jewelery	Regulations	
Bulk Carbs	Edutainments	Juices	Reparables	
	Electronics	Lanthanum	Replicating Clays	

**Accountings.** Data reconciling expenditures by government and business.

**Adhesives.** Bonding agents.

**Aged Meats.** Meats enhanced in flavor and texture by traditional methods.

**Allotropes.** Specific unusual forms of chemical elements useful for industry.

**Alloys.** Metallic mixtures created to create or enhance the characteristics of metals.

**Anagathics.** Pharma capable of extending lifespan.

**ANIFX Blocker.** Transparent or translucent flexible sheets which are opaque to wavelengths ANIFX.

**ANIFX Dyes.** Textile dyes with colors in the wavelengths ANIFX.

**ANIFX Emitters.** Objects which glow (or regularly or intermittently pulse) in the wavelengths ANIFX.

**Antibiotics.** Pharma capable of targeting and killing microbes.

**Antidotes.** Pharma which counteract poisons (inorganic poisons) within organisms.

**Antifungals.** Pharma capable of targeting and killing fungi.

**Anti-Matter.** Non-trivial amounts of anti-matter (in magnetic or gravitic containment vessels).

**Antique Art.** Works of fine art more than 100 years old.

**Antiques.** Crafted objects more than 100 years old.

**Antiseptics.** Pharma which kill microbes on the skin and outer surfaces of sophonts and fauna.

**Antitoxins.** Pharma which neutralize specific poisons (typically organic toxins) within organisms.

**Antivirals.** Pharma which treat virus infections.

**Archeologicals.** Detritus of sophont cultures or civilizations excavated for its insights into its creators. Some archeologicals are devices whose uses may or may not be apparent.

**Armor.** Personal protective devices and apparel.

**Aromatics.** Substances which emit attractive or beneficial scents or smells

**Art.** Sophont produced visual objects or images illustrating abstract thought or emotion. Typically, paintings, drawings, or sculpture.

**Artifacts.** Objects produced by the high-tech civilization of the Ancients (distinct from archeologicals)..

**Attractants.** Substances (typically pheromones) which create a compulsion to move closer to the attractant source.

**Aware Blockers.** Objects which are opaque to Awareness.

**Awareness Pinger.** Device which emits a recurrent signal which can be sensed by Awareness.

**Backups.** Computer media files capturing a totality of data processing activity. Backups are added to the available resources of computer systems which are not directly connected to the original generator (usually because of distance).

**Biologics.** Organic materials useful in industry.

**Branded Clothes.** Fashionable apparel characterized by a brand name which serves as a guarantee of quality.

**Branded Devices.** Fashionable personal devices characterized by a brand name which serves as a guarantee of quality.

**Branded Drinks.** Fashionable beverages characterized by a brand name which serves as a guarantee of quality.

**Branded Foods.** Fashionable foodstuffs characterized by a brand name which serves as a guarantee of quality. Brand names may imply social or group membership perceptions.

**Branded Oxygen.** Fashionable breathing gases characterized by a brand name which serves as a guarantee of quality.

**Branded Tools.** Fashionable equipment for specific skill sets and characterized by a brand name which serves as a guarantee of quality.

**Branded Vacc Suits.** Fashionable environmental suits characterized by a brand name which serves as a guarantee of quality.

**Bulk Abrasives.** Simple granulated compounds with uses as cutting, finishing, or polishing.

**Bulk Carbon.** Carbon (pure, or in compounds) suitable for use in industry.

**Bulk Carbs.** Carbohydrate nutrients suitable for the creation of synthetic foods.

**Bulk Copper.** Pure or alloyed copper metal suitable for use in industry.

**Bulk Dusts.** Homogeneous mineral materials of extremely small diameter.

**Bulk Ephemerals.** Captured or acquired materials with useful qualities. Ephemeral materials include natural compounds which degrade easily or quickly, and foods which lose their freshness quickly.

**Bulk Fats.** Edible nutrient fats and oils suitable for the creation of synthetic foods.

**Bulk Fibers.** Animal or plant component fibers suitable for the creation of textiles.

**Bulk Foodstuffs.** Edibles.

**Bulk Gases.** Captured atmospheric, environmental, geothermal, or volcanic gases with uses in industry.

**Bulk Herbs.** Plant structures and components suitable for medicinal purposes.

**Bulk Ices.** Low temperature solids which are liquids or gases at habitable sophont temperatures, and suitable for industry.

**Bulk Iron.** Pure or alloyed iron metal suitable for use in industry.

**Bulk Metals.** Smelted metallic elements of reasonable purity and suitable for use in industry.

**Bulk Minerals.** Simple compounds produced by natural geologic processes.

**Bulk Nitrates.** Nitrogen compounds (natural excretions or droppings from animals, or synthetic processed compounds) suitable for use in agriculture or industry.

**Bulk Nutrients.** Animal or plant mixed nutrients (fats, proteins, carbs) suitable for the creation of synthetic foods.

**Bulk Organics.** Animal or plant components with mixed uses.

**Bulk Oxygen.** Breathing gases for typical sophonts, typically in large compressed gas containers.

**Bulk Particulates.** Useful minerals particles characterized by very small diameters and consistent chemical properties.

**Bulk Pelts.** Animal skins suitable for the production of furs, leathers, or other coverings.

**Bulk Petros.** Native hydrocarbon fossil fuels and other petrochemicals. Low technology levels may use Petros for fuel; they are more universally used as lubricants and feedstocks for the creation of plastics.

**Bulk Pharma.** Animal or plant components suitable for refinement into or reduction to pharmaceuticals.

**Bulk Precipitates.** Chemicals in powered or granular form as a consequence of some natural or artificial process on the world.

**Bulk Protein.** Animal or plant protein nutrients suitable for the creation of synthetic foods.

**Bulk Spices.** Plant structures and components suitable for culinary purposes.

**Bulk Synthetics.** Artificially produced materials mimicking (or improving upon) the characteristics of one or more other materials.

**Bulk Textiles.** Cloth and fabric suitable for further use in industry.

**Bulk Woods.** Plant structures suitable as large scale or small scale construction materials.

**Candies.** Snacks, treats and delicacies usually (but not always) appealing to the sweet sensors of the taste sense.

**Carbons.** Processed Carbon (pure, or in compounds) suitable for use in industry.

**Catalysts.** Specific elements, compounds, or organics which improve the efficiency of industrial processes.

**Chelates.** Pharma which bind to and remove heavy metals from an organism.

**Coinage.** Metal or plastic tangibles or manipulables used as money.

**Cold Light Blocks.** Individualized rectangular units which glow brightly and without accompanying heat. The blocks constantly recharge based on magnetic, gravitic, or photonic principles.

**Cold Sleep Pills.** Pharma which produces suspended animation in animals and sophonts.

**Cold Welders.** Simple wands which fuse specific polymers using enzyme reactions.

**Collectible Books.** Random titled bound books of various levels of rarity.

**Collectibles.** Objects of limited availability and in demand across a broad spectrum of interested individuals.

**Combat Drug.** Pharma capable of increasing personal C1 and C3 and typically used by soldiers in battle.

**Combination.** Breathing devices which compress Very Thin (Atm 2-3) or Thin (Atm 4-5) to Standard (Atm 6). Combination incorporates a filter component which allows use in tainted conditions.

**Contemplatives.** Simple textured totems reputed to provide comfort, inspiration, or self-assurance to sophonts.

**Corrosives.** Substances (gases, fluids) capable of penetrating traditional or normal sealed barriers. Corrosives are components of corrosive atmospheres (Atm B).

**Counter-prions.** Pharma which (as a food additive) actively counteract prions.

**Crafted Devices.** Small items of equipment which have been carefully created for quality and reliability.

**Cryo Alloys.** Metallic alloys which achieve their characteristics through cold tempering.

**Cryogems.** Gemstones encountered in very low temperature environments (although they are stable at habitable temperatures).

**Currency.** Paper money or certificates of value.

**Databases.** Collections of information suitable for support of government or commerce.

**Decoctions.** Plant-based beverages produced by mashing followed by boiling.

**Decorations.** Attractive or pleasing objects suitable for enhancing buildings, rooms, or walls.

**Delicacies.** Rare or unusual foods prepared according to local cultural recipes. Delicacies may have market value for their rarity, their taste, or for their traditional cultural value.

**Disposables.** Useful objects intended for single or limited use before being discarded.

**Dominants.** Substances (scents, pheromones) which reduce the will to resist in individuals.

**Drinkable Lymphs.** Animal-based beverages produced from lymph fluids harvested from world-specific fauna.

**Dupe Masterpieces.** Mass market reproductions of craftsman produced priceless masterpieces.

**Echostones.** Mineralogical objects which repeat sounds from the environment. The most prized of echostones repeat with a significant delay (minutes or hours), and artful arrangements of echostones can fill a room with music or background sounds.

**Educationals.** Software-based materials produced (by government or industry) to increase knowledge or awareness of specific subject matter, often with a specific viewpoint or with a propagandistic flavor.

**Edutainment.** Software-based materials with demographically targeted entertainment value produced (by government or industry) to increase knowledge or awareness of specific subject matter, often with a specific viewpoint or with a propagandistic flavor.

**Electronics.** Electronic materials useful in industry.

**Emotion Lighting.** Illumination systems controlled by sensors which respond in individual or group emotions.

**Encapulants.** Fluids which naturally flow around objects they encounter, and which form coatings as they dry or cure.

**Envirosuits.** Environmental or protective suits.

**Ephemerals.** Objects of value which degrade without special efforts or conditions to preserve their characteristics or freshness.

**Excretions.** Useful substances produced as waste products from organisms.

**Exotic Aromatics.** Scent emitting substances with strange, unusual, or esoteric characteristics.

**Exotic Crystals.** Organic or mineralogical crystals with strange, unusual, or esoteric characteristics.

**Exotic Fauna.** Animals with strange, unusual, or esoteric characteristics.

**Exotic Flora.** Plants with strange, unusual, or esoteric characteristics.

**Exotic Fluids.** Liquids (and some gases) with strange, unusual, or esoteric characteristics.

**Exotic Sauces.** Culinary liquids with strange, unusual, or esoteric characteristics.

**Expert Systems.** Software systems with a strong skill set related to a specific subject.

**Famous Wafers.** Classic or well-known recorded personality entertainments.

**Fast Drug.** Pharma capable of decreasing the metabolism (making the universe appear to move more quickly).

**Fauna.** Animals.

**Fermented Fluids.** Organic fluids which have been processed to induce an alcoholic content.

**Filter Mask.** A breathing device which allows breathing (if otherwise possible) in Tainted atmosphere (Atm 2,4,7,9).

**Fine Aromatics.** High quality scent sources.

**Fine Art.** High quality objects created by artists.

**Fine Carpets.** High quality floor coverings.

**Fine Dusts.** High quality homogeneous mineral materials of extremely small diameter.

**Fine Furs.** High quality animal pelts.

**Fission Suppressant.** Device capable of suppressing nuclear fission within a small radius (50 meters).

**Flavored Air.** Breathing gases supplemented with additives which appeal to smell and taste. Some flavored air mask taints; others are more palatable versions of intrinsic taints.

**Flavored Drinks.** Beverages whose primary characteristic is flavor (as opposed to nourishment). Many flavors are mildly addictive.

**Flavored Waters.** Water supplemented with flavors.

**Flavorings.** Additives which provide interesting, attractive, or unusual taste and smell sensations.

**Flill.** Organic gems characterized by beautiful lek and mag emissions. Flill are prized by sophonts with awareness.

**Flora.** Plant life.

**Flowers.** Attractive plant components.

**Fluidic Timepieces.** Chronometrical devices based on fluidic principles.

**Fluidics.** Fluidic materials useful in industry.

**Foodstuffs.** Assorted plant and animal products suitable for consumption and nutrition.

**Fossils.** Geologically preserved remains of flora and fauna

**Fruit Delicacies.** Edible fruits enhanced with a variety of culinary treatments to create attractive (or unusual) flavors and textures.

**Gallium.** Elemental gallium in certified purity levels and suitable for use as money.

**Gemstones.** Attractive examples of precious or semi-precious stones.

**Germanes.** Germanium based compound useful in industry.

**Gold.** Metallic gold in certified purity levels and suitable for use as money.

**Gravitics.** Gravitic materials useful in industry.

**Group Symbols.** Items of clothing worn to show a connection to a group. Occasionally, group symbols become fashionable for non-members (athletic jerseys for non-athletes; naval pilot jackets for ordinary citizens).

**Hats.** Head coverings.

**Health Foods.** Foodstuffs with real or imagined health promoting components.

**Heat Pumps.** Personal equipment capable of drawing heat from the environment.

**Holo Sculpture.** Large scale three dimensional images intended for outdoor display.

**Holo-Companions.** Holographic projections controlled by software and programmed to interactively accompany an individual. Dogs (vacc-suited or not) as companions to vacc-suited surface traveler.

**Humming sand.** Granular minerals which vibrate (creating sounds) in response to light, heat, or other stimulus.

**Improvements.** New feature additions to common devices.

**Incenses.** Organic substances which, when burned, produce aromas.

**Incomprehensibles.** Objects for which there is no readily apparent use

(they do have a use; it is not readily apparent).

**Insidiants.** Substances (gases, fluids) capable of penetrating traditional or normal sealed barriers. Insidiants are components of insidious atmospheres (Atm C).

**Insulants.** Substances which inhibit thermal equilibrium.

**Iridium Sponge.** Elemental iridium exposed to vacuum and gases to create an internal sponge texture. Iridium is principal component of positronic brains.

**Isotopes.** Elements refined to a high level of purity as to isotopic content.

**Jewelery.** Decorative personal accessories crafted from precious metals and gems or gemstones.

**Juices.** Vegetable or fruit liquids.

**Lanthanum.** Elemental lanthanum. This material is crucial to the construction of jump drives.

**Lek Emitters.** Devices which emit (glow, pulse) in the Lek wavelength.

**Livestock.** Live animals suitable for herd or flock creation, or less frequently, for slaughter.

**Luminescents.** Panels which reactively emit a variety of wavelengths in response to external conditions.

**Mag Emitters.** Devices which emit (glow, pulse) in the Mag wavelength.

**Magnetics.** Interesting or useful devices employing the principles of magnetics.

**Mandates.** Administrative or judicial orders for distribution to a wide variety of individuals, businesses, functionaries, and organizations.

**Masterpieces.** Works created by craftsmen.

**Meat Delicacies.** Edible meats enhanced with a variety of culinary treatments to create attractive (or unusual) flavors and textures.

**Mechanicals.** Individual component parts for machines.

**Meson Barriers.** Thin sheets capable of reducing the transit of mesons.

**Metals.** Elemental or alloyed metals suitable for technological uses.

**Minerals.** Natural resources materials useful when incorporated into manufactured products, and (or) capable of being reduced or refined into its component compounds or elements.

**Money Cards.** Machine readable incremental certificates of value. Pre-loaded debit cards.

**Monumental Art.** Large scale (larger than life size) sculpture created to impose concepts, personalities, or ideologies on the public or citizenry.

**Motile Plants.** Flora capable of changing location.

**Museum Items.** The wide array of items suitable for display and exemplifying the history, art, technologies, or personalities of a location, region, people, or other activity.

**Music.** Recordings of musical performances.

**Musical Instruments.** Devices capable of producing music when used by individuals with Music skill.

**Navigators.** Portable devices which show current location (and perhaps other data).

**Nectars.** Nutrient rich liquid produced by plants.

**Noisemakers.** Natural objects which create loud or jarring sounds in response to heat, touch, or other stimulus.

**Non-Fossil Carcasses.** Pre-historic preserved (frozen, dessicated, mummified) carcasses of animals or sophonts. Pre-historic, in the case of each world, is before initial settlement of the world.

**Nostrums.** Pharma of unproven efficacy. Nostrums are often branded and aggressively marketed.

**Novel Flavorings.** Natural or synthetic food additives

**Nutraceuticals.** Foodstuffs and nutrients with Pharma capabilities.

**Obsoletes.** Devices which have been supplanted or replaced by newer, better, or more technologically advanced devices which accomplish the same purposes.

**Ores.** Mineralogical materials with a high content in desirable components and suitable for their extraction.

**Organic Gems.** Small valuable objects of organic origin, often highly prized for their appearance. Includes jet, pearl, ivory, bone, amber, sparx, and fill.

**Organic Polymers.** Large molecules with useful characteristics produced through life processes.

**Osmancies.** Recordings of performances involving smells.

**Painkillers.** Pharma which reduce or eliminate pain.

**Palliatives.** Pharma which reduce or eliminate symptoms.

**Panacea.** Pharma which cure disease or malady. Technically, the term panacea indicates a cure for all diseases and maladies. In use, a

**Parts.** Component replacement parts for common devices.

**Pattern Creators.** Automated devices which place patterns and decorations on walls, floors, and

ceilings. Pattern creators are a form of interior decoration; some are constantly laying down new patterns; others are instructed to change the patterns daily, or monthly.

**Pelts.** The skins or outer coverings of animals.

**Percept Blockers.** Fabric sheets which are opaque to the perception sense.

**Pheromones.** Chemicals which trigger natural behavioral responses in animals.

**Photonics.** Photonic materials useful in industry.

**Pigments.** Coloring agents.

**Platinum.** Metallic platinum in certified purity levels and suitable for use as money.

**Plutonium.** Radioactive elemental metal useful in industry.

**Polymer Sheets.** Plastic sheets.

**Polymers.** Plastics.

**Pseudo Hormones.** Artificial or synthetic hormones which carry encoded chemical instructions to living cells or organs. Pseudo hormones carry chemical instructions which are not carried by natural hormones.

**Radioactive Ores.** Minerals with significant radioactive metal content.

**Radioactives.** Radioactive materials useful in industry.

**Radium.** Radioactive elemental metal useful in industry.

**Rare Minerals.** Scarce or rarely occurring simple compounds produced by natural geologic processes.

**Raw Sensings.** Digital data acquired through the normal course of operations by large scale computer operations.

**Reactive Plants.** Plants which exhibit some response (movement, color change, scent release, collapse, flower release) to a stimulus.

**Reactive Woods.** Woods which exhibit some response (color change, iridescence, scent release) to a stimulus.

**Reclamation Suits.** Personal environmental suits which recapture (reclaim) water vapor exhaled or perspired by the user. Reclamation suits are common in water-poor environments (Desert worlds).

**Recordings.** Records of performances, including concerts, plays, and readings.

**Regulations.** Software, printed materials, and other items which convey the implementations of laws by bureaucratic organizations.

**Reparables.** Inoperative devices capable of being repaired, restored, or

refurbished to usable or near new condition.

**Replicating Clays.** Novelty soil materials which spontaneously combine and replicate in patterns and colors.

**Repulsant.** Substances (scents, pheromones) which repel or create a sense of aversion in individuals.

**Respirators.** Breathing devices which compress Very Thin (Atm 3) or Thin (Atm 5) to Standard (Atm 6).

**Restoratives.** Pharma capable of reversing specific organic effects, or restoring organic components to a previous state. Some restoratives have cosmetic effects; others reverse organic damage from disease or accident; still others halt or reverse aging.

**Robots.** Mechanical artificial sophonts.

**Secretions.** Useful substances produced by organisms for specific purposes; industrial or commercial uses of the substance may differ from the original organic purpose..

**Seedstock.** Propagation materials for plants suitable for crop production, or for hybridization.

**Self-Defender.** Personal handgun with features which enhance its uses in defense and reduce its uses in offense.

**Self-Solving Puzzles.** Intricate devices which use mechanical, electronic, or other principles to move components from one state to another.

**ShimmerCloth.** Textiles produced in colorful patterns. Shimmercloth colors are active rather than passive or reflective; some patterns change in long cycles.

**Silanes.** Silicon based compound useful in industry.

**Silver.** Metallic silver in certified purity levels and suitable for use as money.

**Skin Tones.** Temporary cosmetic fashionable skin colorants.

**Slow Drug.** Pharma capable of increasing the metabolism (making the universe appear to move more slowly).

**Sludges.** Industrial waste materials.

**Software.** Computer applications.

**Soothants.** Pharma (or devices, or objects) which reduce anxiety.

**Sophont Cuisine.** Various foodstuffs prepared according to a specific sophont cultural traditions and recipes.

**Sophont Hats.** Interesting head coverings from local sophont cultures.

**Soundmakers.** Natural objects which create unusual or interesting sounds in response to heat, touch, or other stimulus.

**Sparx.** Organic gems characterized by a piezo process which delivers a

mild electric tingle. Sparx are prized by sophonts with touch as a primary sense.

**Spices.** Food flavorings and additives.

**Stimulants.** Pharma which temporarily increase physical characteristics.

**Strange Crystals.** Mineralogical or organic crystals suitable for decoration or jewelry.

**Strange Seeds.** Flora reproduction vectors with unusual characteristics and suitable for decoration or for industrial application.

**Synchronizations.** Data files and applications which make local data bases interactively merge the content of distinct data bases.

**Tactiles.** Natural objects which respond to touch by emitting heat or light, changing shape, or vibrating.

**Textiles.** Cloth or fabric suitable for creation of garments.

**Thorium.** Radioactive elemental metal useful in industry.

**Tisanes.** Plant-based beverages produced by dissolving essential plant elements in water or oil.

**Unusual Dusts.** Fine particle collections with unusual characteristics suitable for industry.

**Unusual Fluids.** Chemical fluids with unusual characteristics suitable for industry.

**Unusual Ices.** Low temperature compounds and combinations with unusual characteristics suitable for industry.

**Unusual Minerals.** Natural geological substances with unusual characteristics suitable for industry.

**Unusual Rocks.** Unrefined and undifferentiated minerals with unusual characteristics suitable for industry.

**Upgrades.** Software improvements.

**Uranium.** Radioactive elemental metal useful in industry.

**Used Goods.** Objects which have been previously purchased and used for some reasonable period of time. They show cosmetic wear and may be missing user documentation.

**Vacc Gems.** Small valuable objects (usually mineralogical) highly prized for their unusual qualities. Vacc gems are formed through the long term action of vacuum (and other effects: radiation, stellar wind, magnetic fields) on minerals or crystals.

**Vacc Suit Patches.** Adhesive repair units for vacc suits.

**Vacc Suit Scents.** Aromatic additives which remove, disguise, overlay, or transform existing smells within vacc suits.



**Variable Tattoos.** Body or skin markings which slowly change (randomly, or in cycles) over time.

**VHDUS Blocker.** Transparent or translucent flexible sheets which are opaque to wavelengths VHDUS.

**VHDUS Dyes.** Textile dyes with colors in the wavelengths VHDUS.

**VHDUS Emitters.** Objects which glow (or regularly or intermittently pulse) in the wavelengths VHDUS.

**Vision Suppressant.** Pheromone which temporarily shuts down the vision sense.

**Wafers.** Recorded personalities labeled by donor sophont and general donor skillset..

**Warm Leather.** Luxury materials composed of prepared animal skins which channel heat to the exterior surfaces.

**Weapons.** Small arms intended for personal, security, or military use.

**Wines.** Alcoholic beverages.

**Writings.** Printed published texts.

#### **Imbalance Items**

Imbalance Items are in oversupply on the source world; often they are imports no longer in demand (and thus available for shipment elsewhere).

For Trade Goods identified as Imbalances (in the Random Trade Goods Table), use the Trade Classifications shown and re-roll on the Random Trade Goods Table to identify the goods. If these goods are sold on a market world with this Trade Classification, increase their Price +Cr1,000.