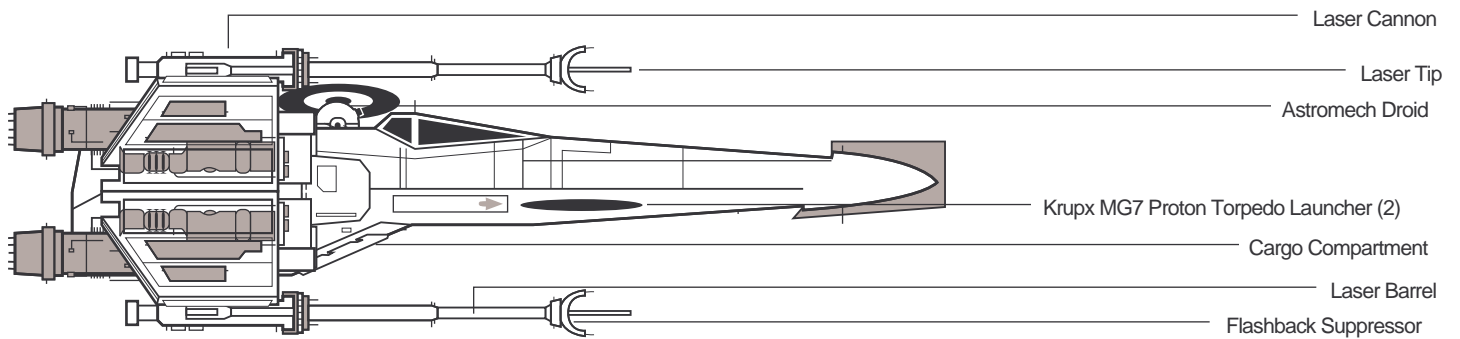
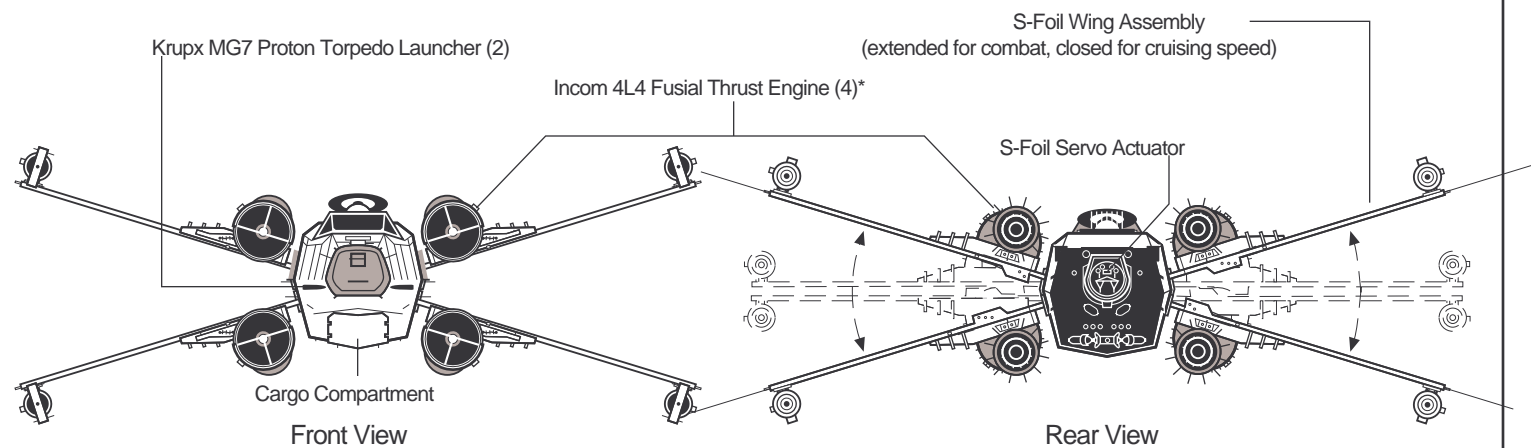


Top View



Side View



\*Alternate configurations may use Incom 4j.4 fusial thrust engines.

\*\* Houses Carbanti Transceiver Package with Fabritech ANs-5d "lock track" full-spectrum transceiver, Melihat "Multi Imager" dedicated energy receptor, Tana Ire electro-photo receptor and Fabritech ANq 3.6 sensor computer. Alternate configuration typically combines long range Fabritech ANS-5d units with long range PTDA #PA-9r unit and short range PTAG #PG-7u unit