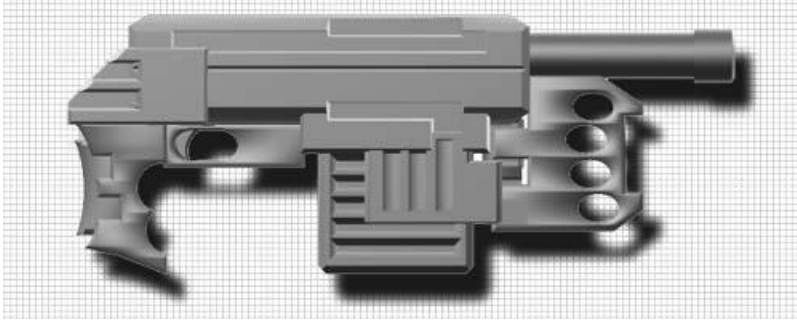


Blackjack's Weapons: Vagrant Riotgun

Branson Hagerty (Blackjack's Shadowrun Page <http://shadowrun.html.com/users/blackjack/>) Posted February 22, 1999



Designed for close-quarters combat, the Vagrant Riotgun offers the shortest barrel on any burst fire shotgun, as well as a large clip capacity to cut back on reloading - the time at which a riot troop is most vulnerable to reprisal.

Type: Shotgun

Conceal: 4

Ammo: 15 (c)

Mode: SA/BF

Damage: 8S

Weight: 4

Cost: 3,500

Accessories: Level 2 Recoil Reduction

NOTES: Uses Heavy Pistol ranges. When using shot ammunition (see p117 SRIII) the maximum choke setting allowed is 5 (thus, at maximum choke the weapon suffers an automatic -2/-2 at fifteen meters, -3/-3 at twenty meters and so on). Slug ammunition is not subject to this penalty. As with normal shotguns, all uncompensated recoil is doubled. Accepts over barrel mounted accessories only.