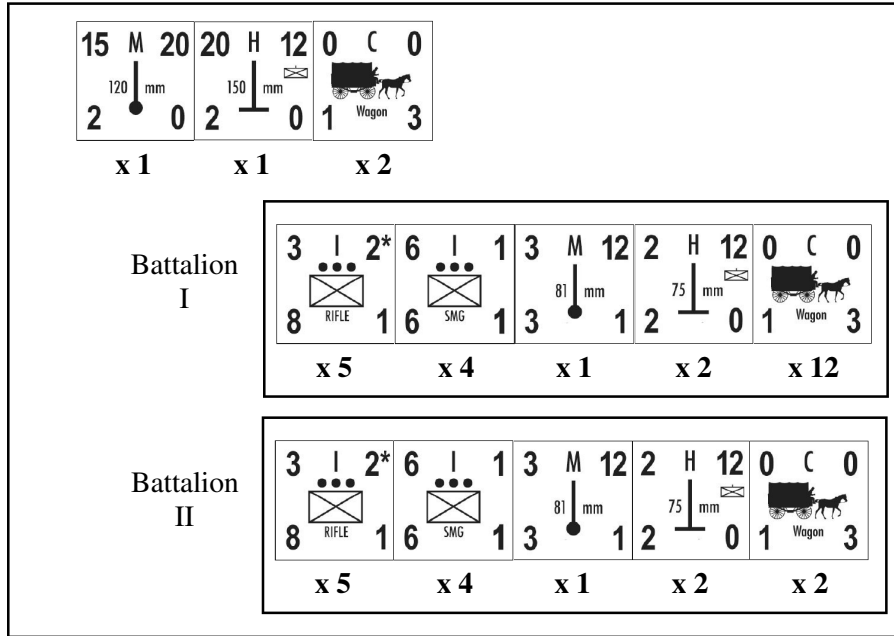




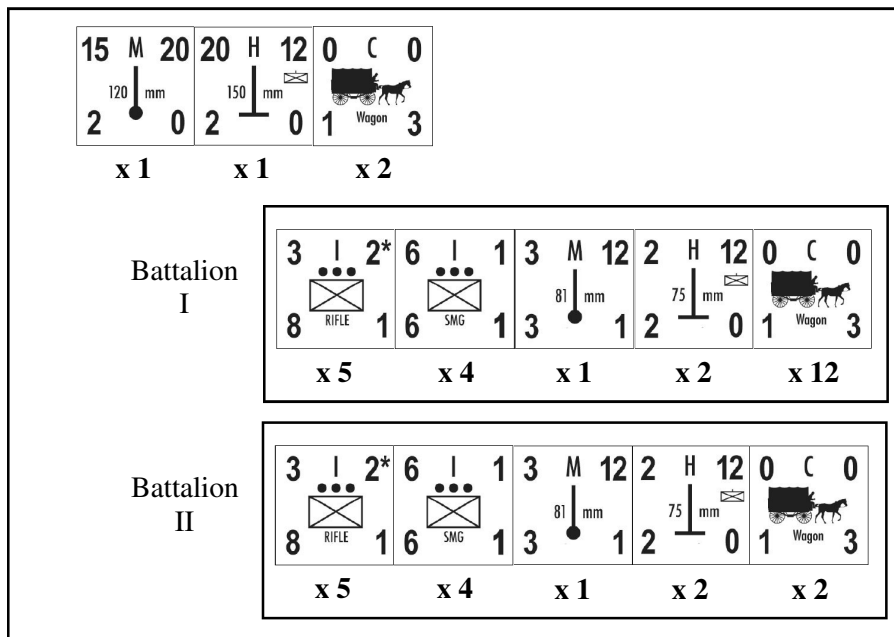
# German 9th Volksgrenadier Div.

December, 1944

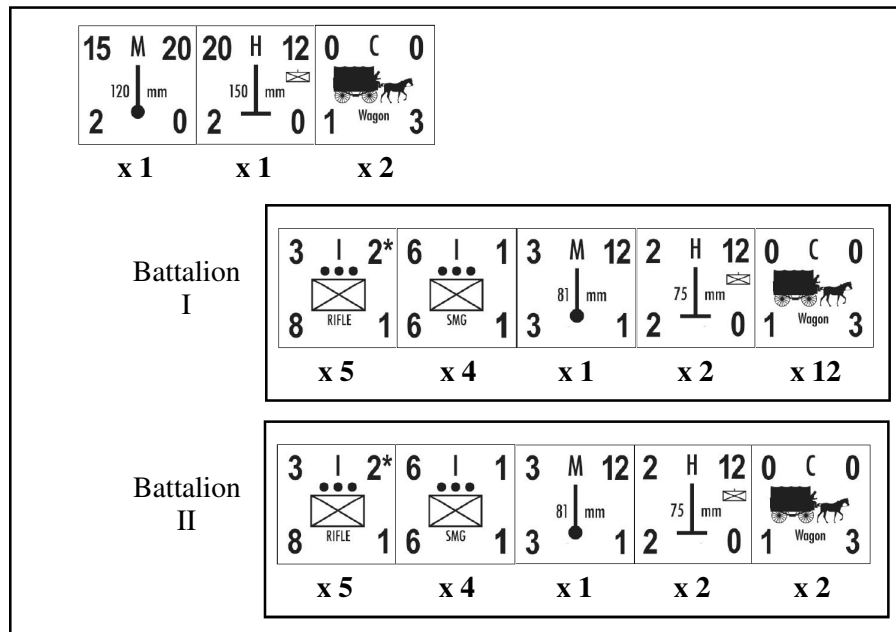
36th Volksgrenadier Regiment



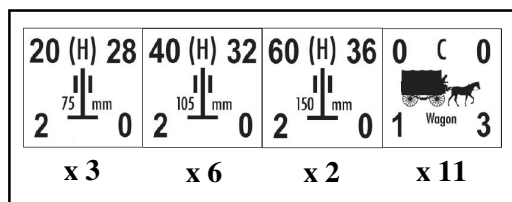
57th Volksgrenadier Regiment



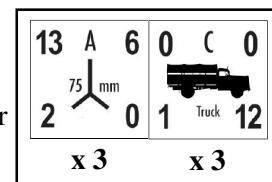
116th  
Volks-  
grenadier  
Regiment



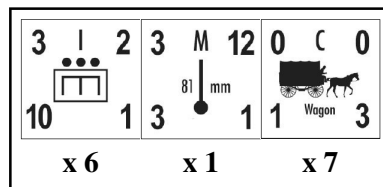
9th  
Volks-  
Artillerie  
Regiment



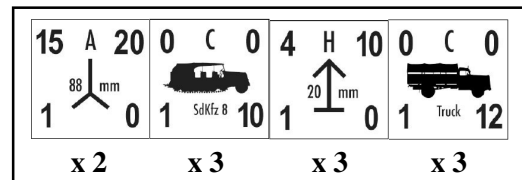
9th  
Volks-  
PanzerJager  
Battalion



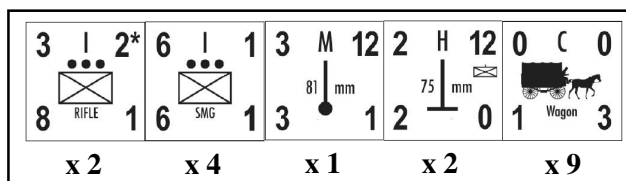
9th  
Volks-  
Pioneer  
Battalion



9th  
Volks-  
Flak  
Battalion



9th  
Fusilier  
Battalion



The 9th Volksgrenadier Division began the battle in OKW Reserve. Though originally slated to be a follow-up addition to Fifth Panzer Armee, it was instead assigned to the Seventh Armee on December 22, because of the critical situation around Bastogne. After taking a week to arrive in the battle area, it was too late to help there. The division fought a stubborn defensive action against the Americans near Wiltse but was eventually forced back behind the Our River by the middle of January.