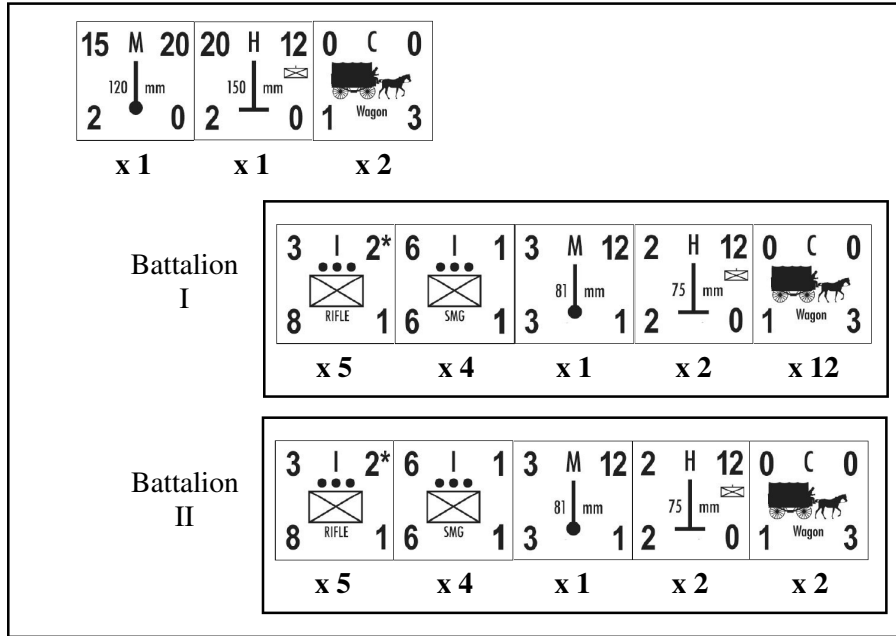




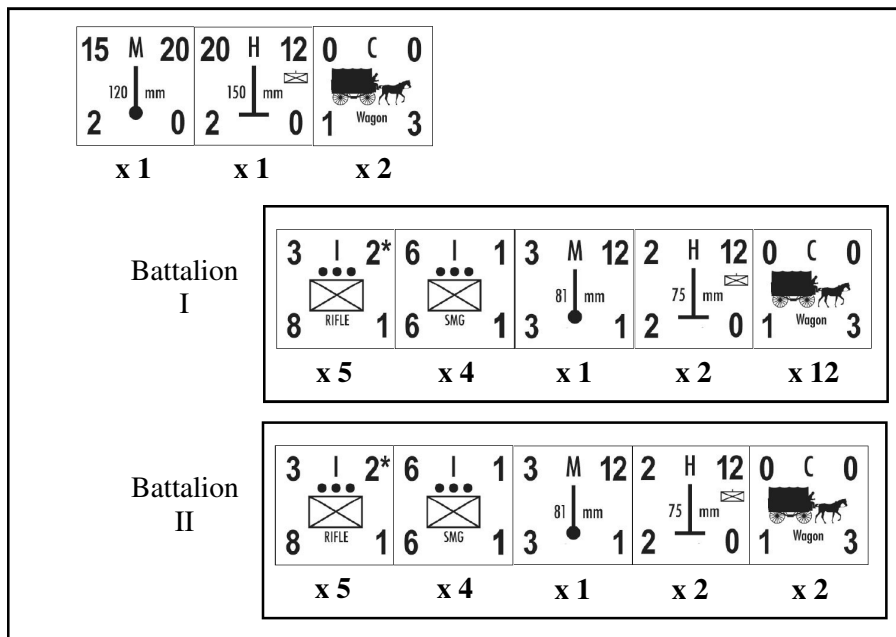
# German 62nd Volksgrenadier Div.

December, 1944

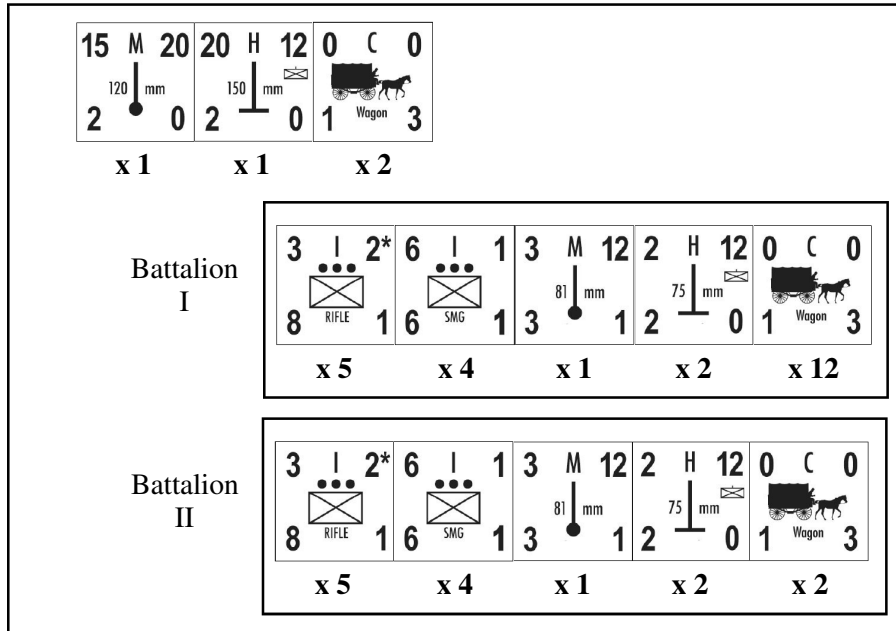
164th Volksgrenadier Regiment



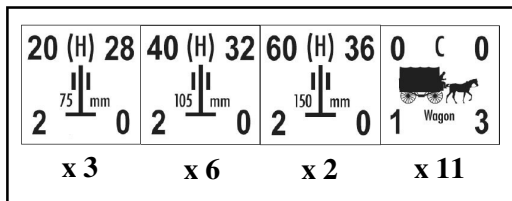
183rd Volksgrenadier Regiment



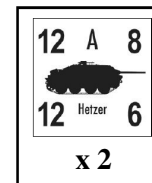
190th  
Volks-  
grenadier  
Regiment



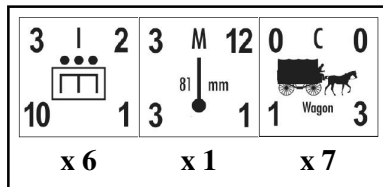
162nd  
Volks-  
Artillerie  
Regiment



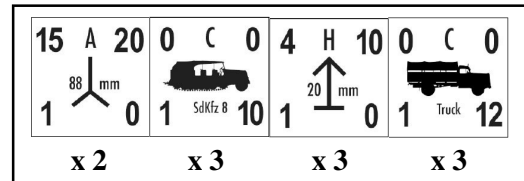
1162nd  
Assault  
Gun  
Company



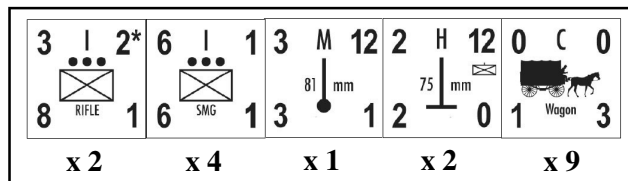
162nd  
Volks-  
Pioneer  
Battalion



162nd  
Volks-  
Flak  
Battalion



162nd  
Fusilier  
Battalion



The 62nd Volksgrenadier Division began life as the 62nd Infantry Division. It participated in Operation Barbarossa in 1941 and had suffered many casualties on the Eastern Front. The battered division was returned to Germany in September of 1944 for rest and refit after the capture of its commander. It was rebuilt and assigned to the Ardennes Offensive where it helped attack the 106th Infantry on the first day. The 62nd then participated in the assault on St. Vith and spent the next several weeks not far from there before being withdrawn in mid-January.