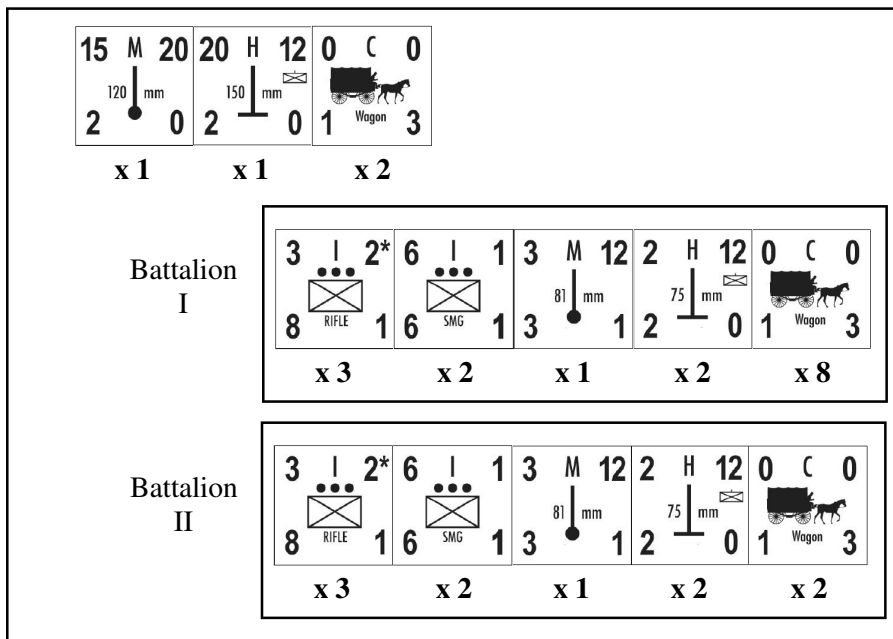




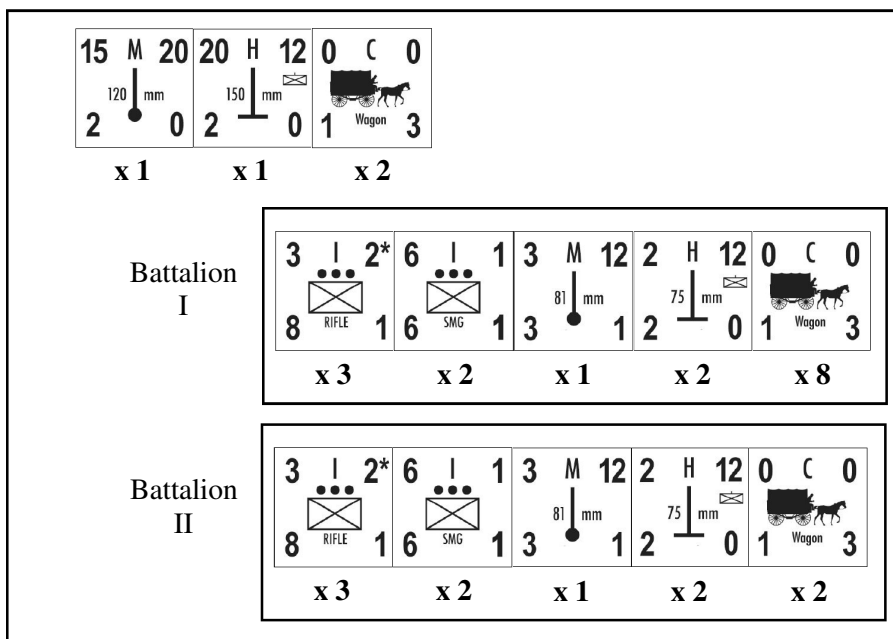
German 340th Volksgrenadier Div.

December, 1944

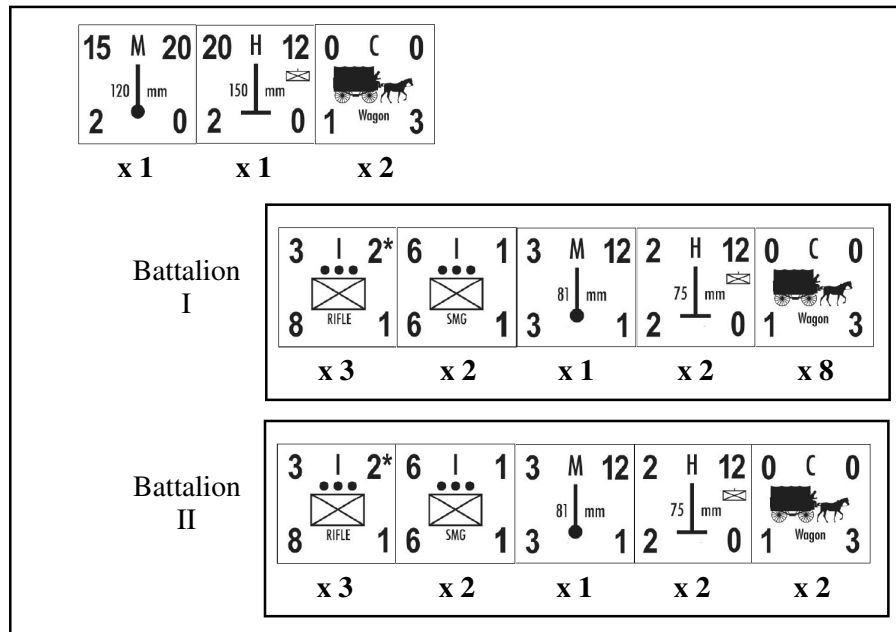
694th
Volks-
grenadier
Regiment



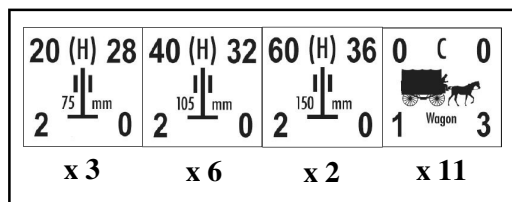
695th
Volks-
grenadier
Regiment



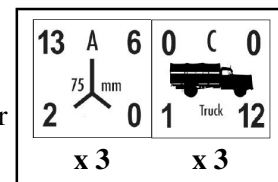
696th
Volks-
grenadier
Regiment



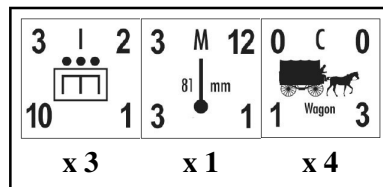
340th
Volks-
Artillerie
Regiment



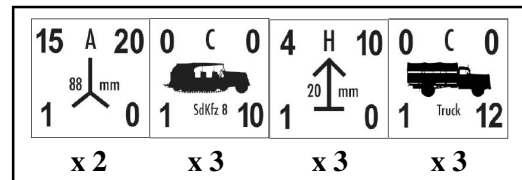
340th
Volks-
PanzerJager
Battalion



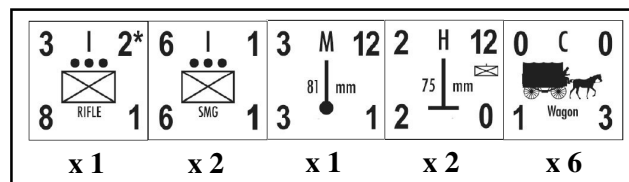
340th
Volks-
Pioneer
Battalion



340th
Volks-
Flak
Battalion



340th
Fusilier
Battalion



The 340th Volksgrenadier Division had just suffered heavily in the fighting for Aachen and then was thrown into the Ardennes offensive without time to absorb replacements or rest. The division was committed to the fighting northeast of Bastogne on January 2 where it actually captured the forward position of Mageret, where it was unfortunately heavily bombed by the Luftwaffe, causing many casualties. The division continued to fight hard, even after being reduced to the strength of a single weak regiment.