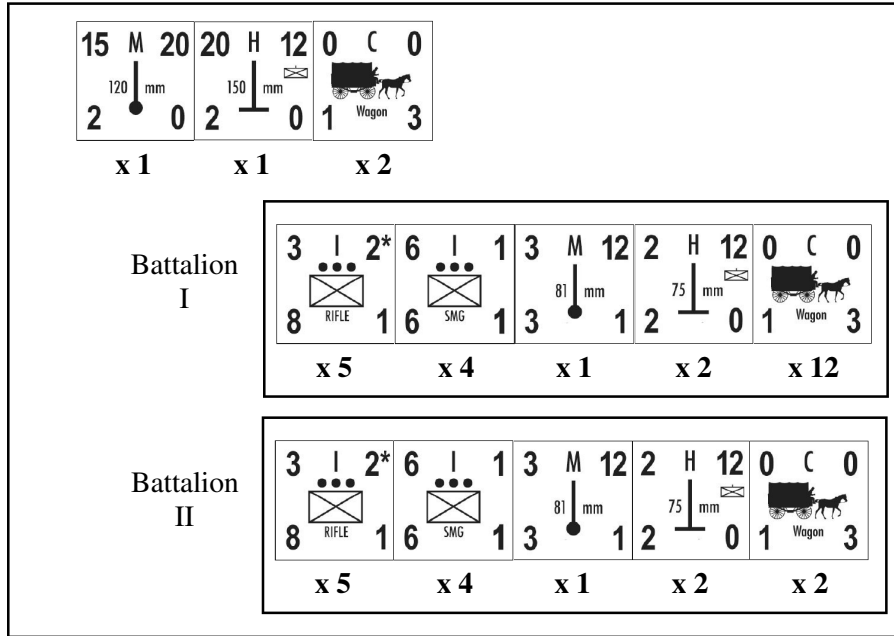




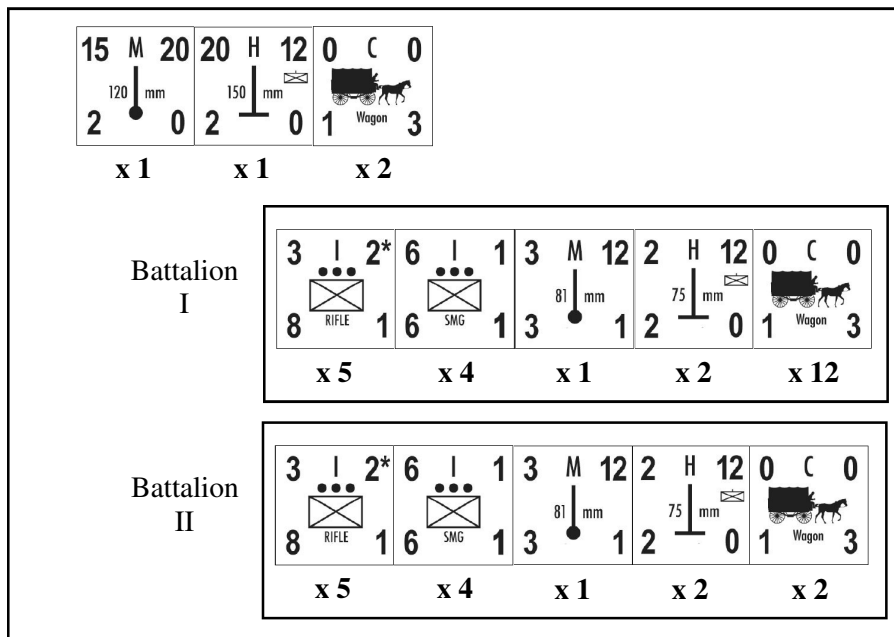
German 272nd Volksgrenadier Div.

December, 1944

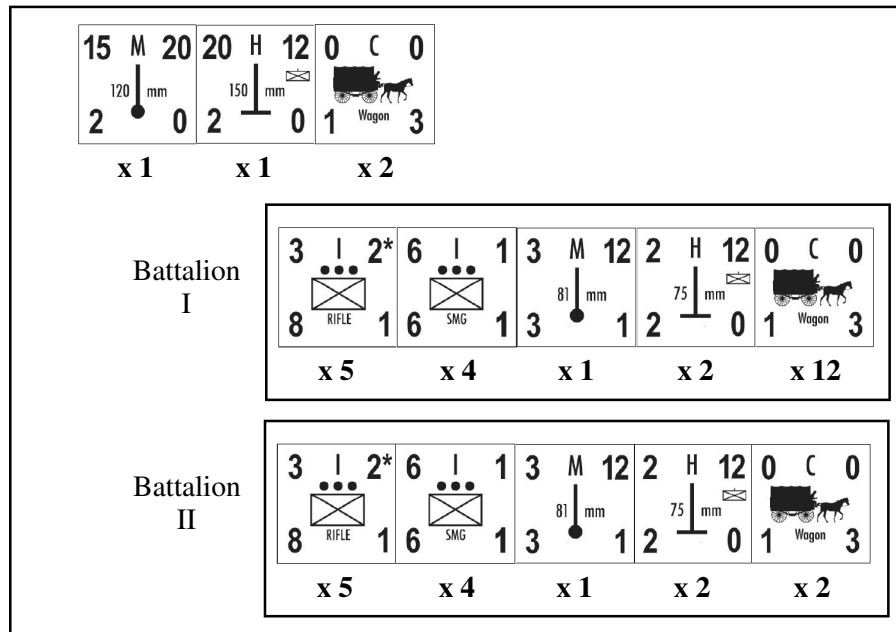
981st
Volks-
grenadier
Regiment



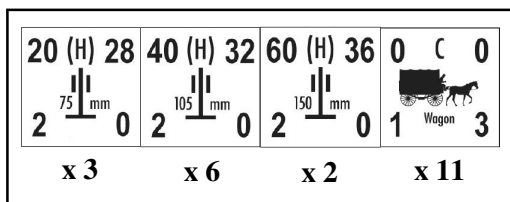
982nd
Volks-
grenadier
Regiment



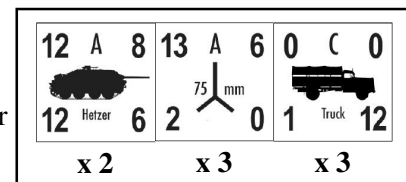
983rd
Volks-
grenadier
Regiment



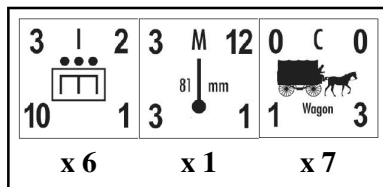
272nd
Volks-
Artillerie
Regiment



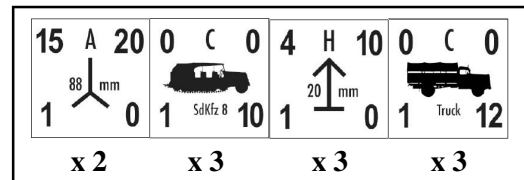
272nd
Volks-
PanzerJager
Battalion



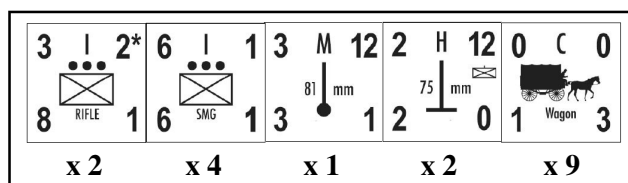
272nd
Volks-
Pioneer
Battalion



272nd
Volks-
Flak
Battalion



272nd
Fusilier
Battalion



The 272nd Volksgrenadier began the battle on the extreme right flank of the German offensive. It was supposed to advance northwest but was already heavily engaged with the U.S. 78th Infantry Division on December 16. Unable to advance, the division spent the battle in a mostly defensive posture.